

Indicator

K14-
040.210081

Distribution by
DigiKey

DigiKey



<https://digikey.eao.com/p/K14-040.210081>

Your product:



K14-040.210081 Indicator

OPERATING-/INDICATION PART

Lens illumination:	illuminative
Lens shape:	flush
Illumination colour:	Green
Lens material:	Plastic
Lens optics:	transparent
Lens colour:	Green

ELECTRICAL CHARACTERISTICS

Operation current:	4/7 mA \pm 15 %
Electrical lifetime:	50 000 cycles of operation
Electric strength:	3000 VAC, 50 Hz, 1 min. between all terminals and earth, according to EN/IEC 61058-1
Switching voltage and switching current:	250 VAC, 5 A (ohmic) 250 VAC, 2 A (inductive, $\cos(\phi) = 0.7$) 220 VDC, 0.1 A (inductive, L:R = 30 ms) 110 VDC, 0.2 A (inductive, L:R = 30 ms) 60 VDC, 0.7 A (inductive, L:R = 30 ms) 24 VDC, 2 A (inductive, L:R = 30 ms)
Thermal current I_{th}:	5 A
Operating voltage:	24 V AC/DC
Rated Operational Voltage U_e:	250 VAC/DC according to EN IEC 61058-1
Protection class:	II
Standards:	According to EN/IEC 61058-1

MECHANICAL CHARACTERISTIC

Weight:	0.031 kg
----------------	----------

Terminal: Plug-in terminal, 2.8 x 0.5 mm
Contact material: Gold-plated silver
Tightening torque: Fixing nut max. 0.25 Nm

AMBIENT CONDITION

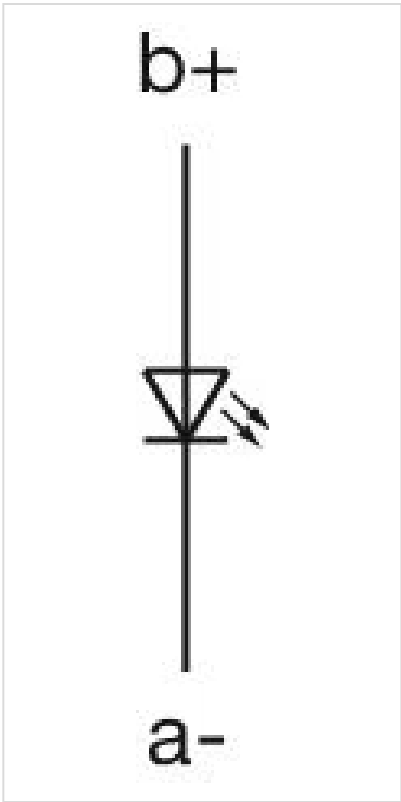
Vibration resistance: Max. 100 m / s² from 10 Hz ... 500 Hz, (sinusoidal EN IEC 60068-2-6)
Storage temperature: – 40 °C ... + 85 °C
Climate resistance: Standard condition, as per DIN EN 60068-2-78
Standard cyclic, as per DIN IEC 60068-2-30
Shock resistance: Max. 150 m / s², pulse width 11 ms, 3-axis, (semi-sinusoidal as per EN IEC 60068-2-27)
IP front protection: IP67, according to DIN EN 60529
Operating temperature: – 25 °C ... + 55 °C, mounted as a block, make sure the heat can escape freely

CERTIFICATE

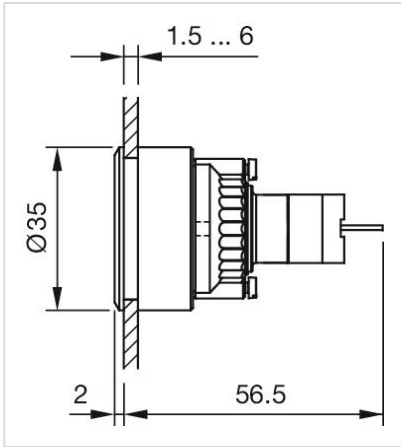
Approbations: CB (IEC 61058-1), CQC, CSA, DNV, ENEC (EN 61058-1), UL
Conformities: CE, UKCA, 2011 / 65 / EC (RoHS), 2014 / 35 / EU (LVD)

OTHER

Short Description: Indicator, 24 V AC/DC, Plug-in terminal, 2.8 x 0.5 mm, Green, Green
Housing material: Plastic
Housing colour: Black
Wiring diagrams:



Dimension drawings:



Mounting cut-outs:

