

Indicator

K14-
040.110011

Distribution by
DigiKey

DigiKey



<https://digkey.eao.com/p/K14-040.110011>

Your product:



K14-040.110011 Indicator

MOUNTING

Mounting cut-out: Ø 22.3 mm

OPERATING-/INDICATION PART

Lens illumination: illuminative

Illumination colour: Blue

Lens material: Plastic

Lens shape: raised

Lens optics: transparent

Lens colour: Blue

ELECTRICAL CHARACTERISTICS

Protection class:	II
Rated Operational Voltage Ue:	250 VAC/DC according to EN IEC 61058-1
Electrical lifetime:	50 000 cycles of operation
Operation current:	7/14 mA \pm 15 %
Thermal current Ith:	5 A
Operating voltage:	24 V AC/DC
Switching voltage and switching current:	250 VAC, 5 A (ohmic) 250 VAC, 2 A (inductive, $\cos(\phi) = 0.7$) 220 VDC, 0.1 A (inductive, L:R = 30 ms) 110 VDC, 0.2 A (inductive, L:R = 30 ms) 60 VDC, 0.7 A (inductive, L:R = 30 ms) 24 VDC, 2 A (inductive, L:R = 30 ms)
Electric strength:	3000 VAC, 50 Hz, 1 min. between all terminals and earth, according to EN/IEC 61058-1
Standards:	According to EN/IEC 61058-1

MECHANICAL CHARACTERISTIC

Tightening torque:	Fixing nut max. 0.25 Nm
Contact material:	Gold-plated silver
Weight:	0.021 kg
Terminal:	Plug-in terminal, 2.8 x 0.5 mm

AMBIENT CONDITION

Climate resistance:	Standard condition, as per DIN EN 60068-2-78 Standard cyclic, as per DIN IEC 60068-2-30
Shock resistance:	Max. 150 m / s ² , pulse width 11 ms, 3-axis, (semi-sinusoidal as per EN IEC 60068-2-27)
Operating temperature:	- 25 °C ... + 55 °C, mounted as a block, make sure the heat can escape freely
IP front protection:	IP67, according to DIN EN 60529
Storage temperature:	- 40 °C ... + 85 °C
Vibration resistance:	Max. 100 m / s ² from 10 Hz ... 500 Hz, (sinusoidal EN IEC 60068-2-6)

CERTIFICATE

Conformities:	CE, UKCA, 2011 / 65 / EC (RoHS), 2014 / 35 / EU (LVD)
Approbations:	CB (IEC 61058-1), CQC, CSA, DNV, ENEC (EN 61058-1), UL

OTHER

Housing material:

Plastic

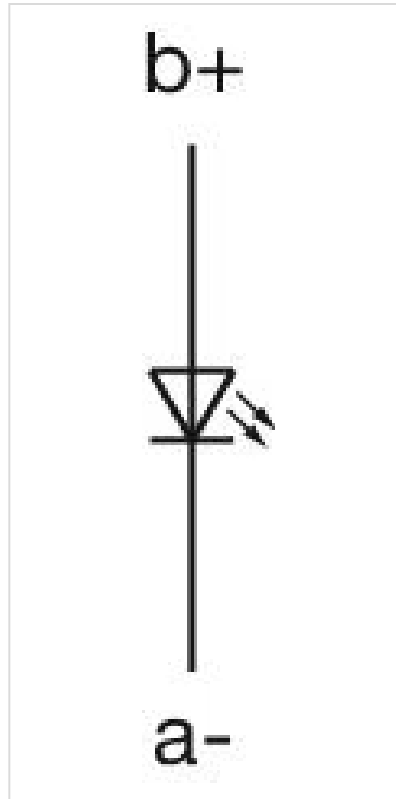
Housing colour:

Black

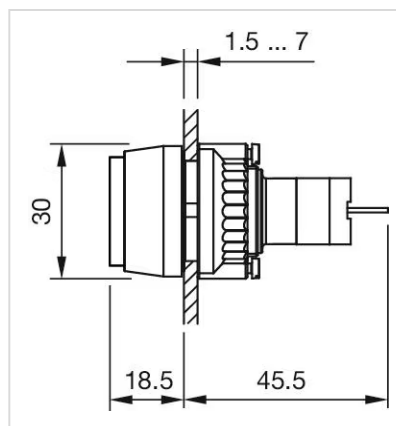
Short Description:

Indicator, 24 V AC/DC, Plug-in terminal, 2.8 x 0.5 mm, Blue, Blue

Wiring diagrams:



Dimension drawings:



Mounting cut-outs:

