

Quick Start Guide

Precision edge measurement sensor for web alignment, small part detection, and width measurement.

This guide is designed to help you set up and install the EG24 Precision Edge Sensor. For complete information on programming, performance, troubleshooting, dimensions, and accessories, please refer to the Instruction Manual at www.bannerengineering.com. Search for part number 239439 to view the Instruction Manual. Use of this document assumes familiarity with pertinent industry standards and practices.

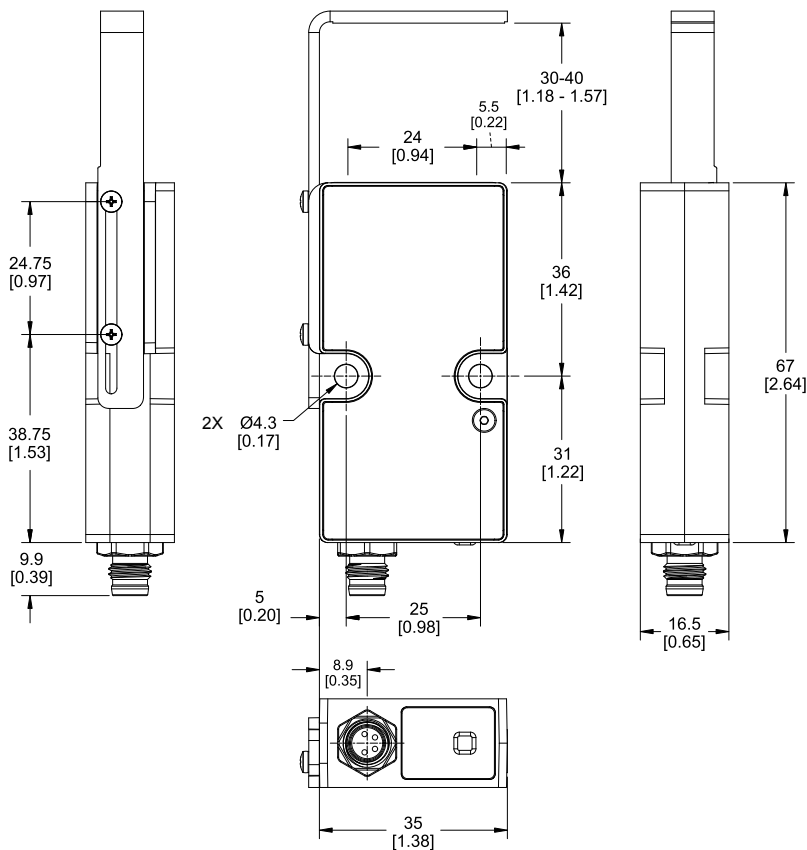


WARNING:

- **Do not use this device for personnel protection**
- Using this device for personnel protection could result in serious injury or death.
- This device does not include the self-checking redundant circuitry necessary to allow its use in personnel safety applications. A device failure or malfunction can cause either an energized (on) or de-energized (off) output condition.

Dimensions

All measurements are listed in millimeters [inches], unless noted otherwise.

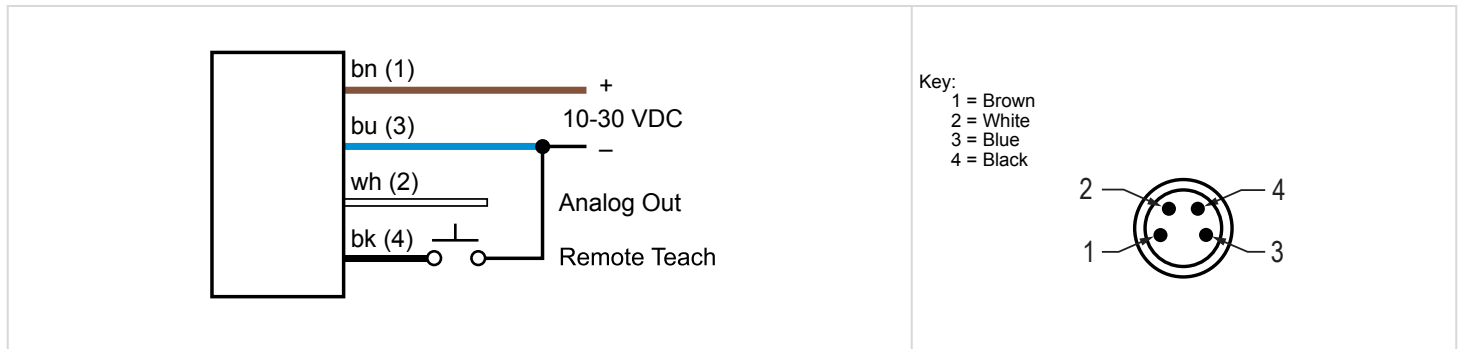


The EG24 can be ordered without the retroreflective arm or the arm can be removed for mounting flexibility. In either case, the provided retroreflective tape must be used and must be mounted 30 mm to 40 mm away from the lens to ensure optimal performance. If a replacement reflector is needed, contact Banner Engineering.

Features and Indicators

	Feature	Description	
	1	Green LED	Power indicator
	2	Amber LED	Output indicator
	3	TEACH button	Mode selection and teach
	4	Connector	4-pin, M8

Wiring



NOTE: For model EG24-ILVA-Q7B, the analog output is on the black wire (pin 4) and the remote teach is on the white wire (pin 2)

Configure the Sensor

The default configuration scales the 4 mA to 20 mA output across the full width of the 24 mm (0.94 in) sensing beam.

To configure the sensor, press and hold the TEACH button for 2 seconds to enter teach mode. Then, do one of the following:

- Position the edge of the target for the 4 mA position and press the TEACH button one time. Move the edge of the target to where the 20 mA will be positioned and press the TEACH button one time. Teach twice with no target to set the maximum 4 mA to 20 mA span. This is the Default mode.
- Press the TEACH button two times to enter Width Measurement mode.
- Press the TEACH button three times to enter Gap Measurement mode.

The green LED flashes a number of times, which corresponds to the measurement mode, and the sensor returns to run mode.

Specifications

Supply Voltage (Vcc)

10 V DC to 30 V DC

Use only with a suitable Class 2 power supply (UL) or Limited Power Supply (CE)

Certifications



Banner Engineering BV
Park Lane, Culliganaan 2F bus 3
1831 Diegem, BELGIUM



Turck Banner LTD Blenheim House
Blenheim Court
Wickford, Essex SS11 8YT
GREAT BRITAIN

Power Consumption, exclusive of load

0.75 W

Banner Engineering Corp Limited Warranty

Banner Engineering Corp. warrants its products to be free from defects in material and workmanship for one year following the date of shipment. Banner Engineering Corp. will repair or replace, free of charge, any product of its manufacture which, at the time it is returned to the factory, is found to have been defective during the warranty period. This warranty does not cover damage or liability for misuse, abuse, or the improper application or installation of the Banner product.

THIS LIMITED WARRANTY IS EXCLUSIVE AND IN LIEU OF ALL OTHER WARRANTIES WHETHER EXPRESS OR IMPLIED (INCLUDING, WITHOUT LIMITATION, ANY WARRANTY OF MERCHANTABILITY OR FITNESS FOR A PARTICULAR PURPOSE), AND WHETHER ARISING UNDER COURSE OF PERFORMANCE, COURSE OF DEALING OR TRADE USAGE.

This Warranty is exclusive and limited to repair or, at the discretion of Banner Engineering Corp., replacement. **IN NO EVENT SHALL BANNER ENGINEERING CORP. BE LIABLE TO BUYER OR ANY OTHER PERSON OR ENTITY FOR ANY EXTRA COSTS, EXPENSES, LOSSES, LOSS OF PROFITS, OR ANY INCIDENTAL, CONSEQUENTIAL OR SPECIAL DAMAGES RESULTING FROM ANY PRODUCT DEFECT OR FROM THE USE OR INABILITY TO USE THE PRODUCT, WHETHER ARISING IN CONTRACT OR WARRANTY, STATUTE, TORT, STRICT LIABILITY, NEGLIGENCE, OR OTHERWISE.**

Banner Engineering Corp. reserves the right to change, modify or improve the design of the product without assuming any obligations or liabilities relating to any product previously manufactured by Banner Engineering Corp. Any misuse, abuse, or improper application or installation of this product or use of the product for personal protection applications when the product is identified as not intended for such purposes will void the product warranty. Any modifications to this product without prior express approval by Banner Engineering Corp will void the product warranties. All specifications published in this document are subject to change; Banner reserves the right to modify product specifications or update documentation at any time. Specifications and product information in English supersede that which is provided in any other language. For the most recent version of any documentation, refer to: www.bannerengineering.com.

For patent information, see www.bannerengineering.com/patents.

Document title: EG24 Edge Measurement Sensor Quick Start Guide

Part number: 240133

Revision: B

Original Instructions

© Banner Engineering Corp. All rights reserved.



240133