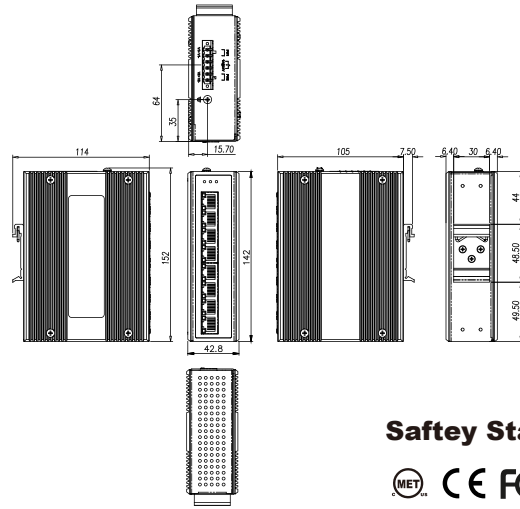


# 0401-0284

## POE Ethernet Switch



### Safety Standards



## Specification

<b>IEEE Standard</b>	IEEE 802.3 10Base-T Ethernet IEEE 802.3u 100Base-TX Fast Ethernet IEEE 802.3ab 1000Base-T Gigabit Ethernet IEEE802.3x Flow Control and Back Pressure IEEE 802.3af PoE IEEE 802.3at PoE+
<b>Switch Architecture</b>	Back-plane (Switching Fabric): 16Gbps
<b>Data Processing</b>	Store and Forward
<b>Flow Control</b>	IEEE 802.3x Flow Control and Back Pressure
<b>Jumbo Frame</b>	9KB
<b>MAC Address Table Size</b>	4K
<b>Packet Buffer Size</b>	1M
<b>Network Connector</b>	8xRJ-45 10/100/1000BaseT(X) auto negotiation, Auto MDI/MDI-X function, Full/Half duplex 8 x Gigabit PoE+ 802.3at/af PSE port, 30W per port
<b>Network Cable</b>	UTP/STP Cat.5e or above Cable EIA/TIA-568 (100m)
<b>Protocol</b>	CSMA/CD

## Specification

<b>LED</b>	<p>PW1 (Green): ON – Power 1 is detected</p> <p>PW2 (Green): ON – Power 2 is detected</p> <p>RLY (Amber): ON – Connect only PW1 or PW2</p> <p>OFF – Both PW1 and PW2 are connected</p>
	<p>TX/RJ-45 port</p> <p>LNK (Link/Active) (Green): ON – TX port is detected</p> <p>Flashing – TX data is transmitting/receiving</p> <p>PoE (Amber): ON – PD is detected and PSE is activated</p> <p>OFF – PD is not detected</p>
<b>Reserve Polarity Protection</b>	Present
<b>Overload current protection</b>	Present
<b>Power Supply</b>	Redundant Dual DC 24V-56V Power Input
<b>Power Consumption</b>	5.76W@24VDC full load, Without PoE
<b>Alarm Relay Contact</b>	<p>Relay outputs with current carrying capacity of 1 A @24VDC</p> <p>Relay is in open circuit mode when 2 powers are connected.</p> <p>Relay is in short circuit mode when only one power supply is connected</p>
<b>PoE Power</b>	<p>PoE power per port 30watts.</p> <p>Maximum total power 200Watts with 56VDC input,</p> <p>Maximum total power 120Watts with 24VDC input,</p> <p>Supports IEEE802.3af/at</p>
<b>Removable Terminal Block</b>	<p>Provide 2 Redundant power</p> <p>Alarm relay contact, 6 Pin</p> <p>Wire range: 0.34mm<sup>2</sup> to 2.5mm<sup>2</sup></p> <p>Solid wire (AWG): 12-30</p> <p>Stranded wire (AWG): 12-30</p> <p>Torque:5lb-In/0.5Nm</p> <p>Wire Strip length: 7-8mm</p>
<b>Operating Temperature</b>	-40°C to 75°C
<b>Operating Humidity</b>	5% to 95% (Non-condensing)
<b>Storage Temperature</b>	-40°C to 85°C
<b>MTBF (mean time between failure)</b>	529765.06 hrs (Telcordia (Bellcore), GB) at 50°C
<b>Housing</b>	Rugged Metal, IP30 Protection
<b>Case Dimension (L x W x H)</b>	142 x 42.8 x 105 mm (LxWxH)

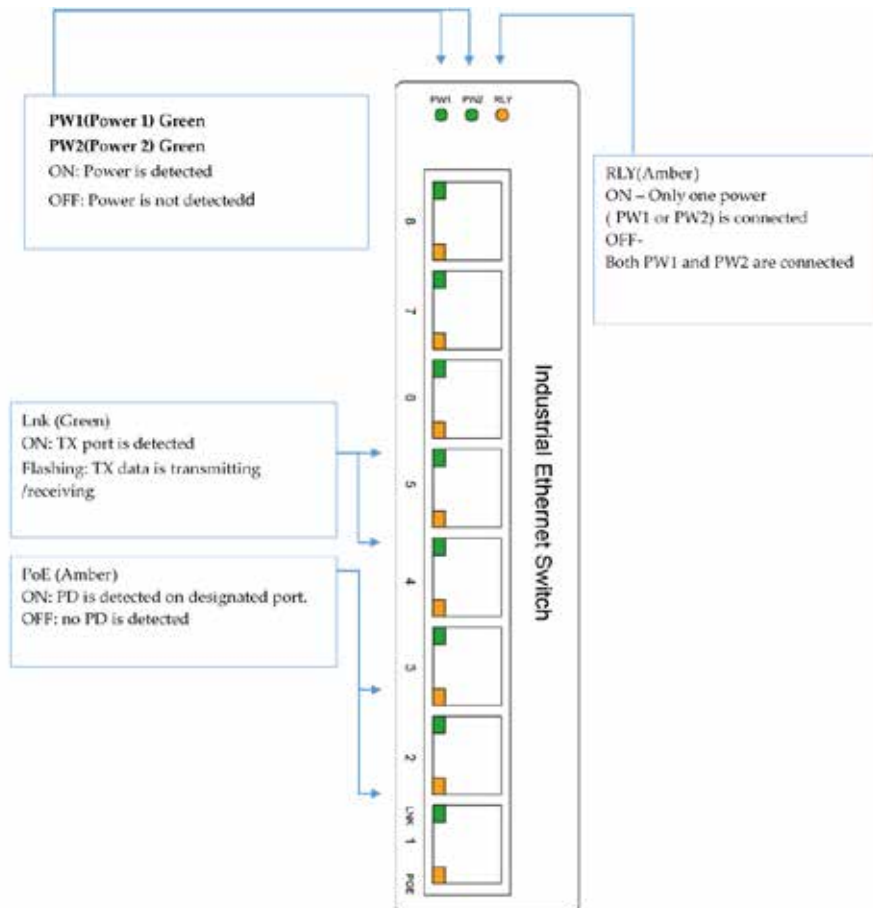
# Specification

Installation	DIN Rail and Wall Mount options included
--------------	--

# Certifications

Safety	UL 60950-1
Safety	LVD (EN62368-1)
EMC	CE, FCC, EN 55032/35
EMI	CISPR 32, FCC Part 15B Class A
EMS	IEC 61000-4-2 ESD: Contact: 6KV; Air: 8KV
	IEC 61000-4-4 EFT: Power: 2KV; Signal: 2KV
	IEC 61000-4-5 Surge: Power: 2KV; Signal: 2KV
Vibration	EN 60068-2-6
Shock	EN 60068-2-27
Free Fall	EN 60068-2-32

# LED indicator



## Dimensions

L X W X H : 142 x 42.8 x 105

