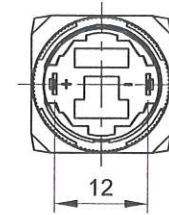


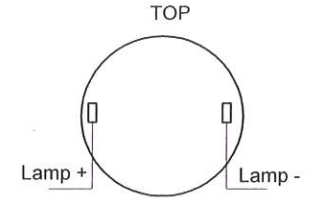
C1 P 01 - R 1 2 K □ - 0 D1

- D1 : Plug-IN
- : Button color
- B : Blue
- G : Green
- O : Orange
- R : Red
- W : White
- Y : Yellow
- K : LED 24V AC/DC
- 2 : IP65
- 1 : Low bezel
- 01 : Full Voltage

Bottom view

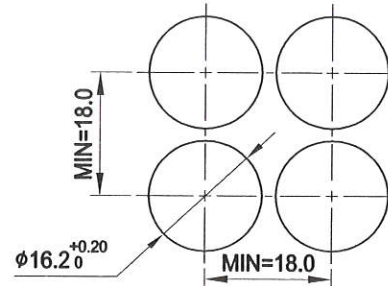
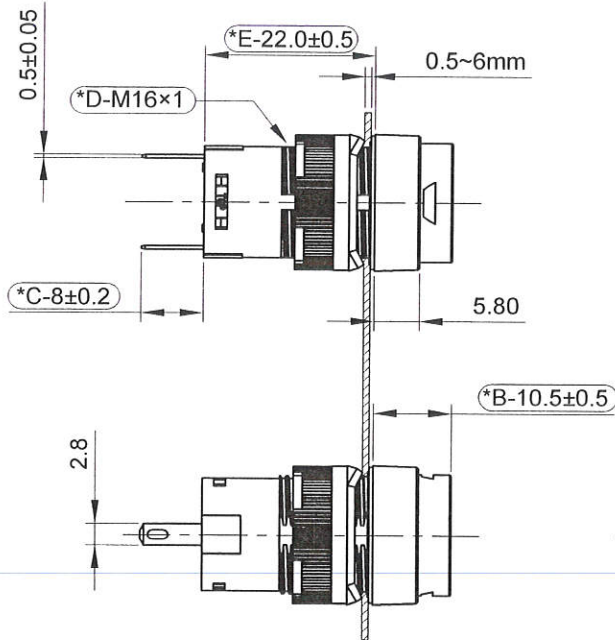


Electrical Diagram



Soldering/Plug-in Type Pushbutton Switch

Hole Dia



Type No.	Rated Voltage	Rated Current	Color Code
LCTD-2□	24 V AC/DC	3 mA	B(Blue) G(Green) O(Orange) R(Red) W(White) Y(Yellow)

Product Specifications

- Rated insulation voltage : 250 V
- Lamp rating : 1 W
- Insulation resistance : 100MΩ
- Dielectric strenght : 1500V AC, 1minute
- Panel thickness : 0.5mm~6mm
- Degree of protection : IP65
- Storage temperature : -30°C to +80°C
- Operating temperature : 25°C to +55°C



DECA[®] SwitchLab Inc.			PART NAME	UNIT	SCALE
			Pilot Light Switch Round 24 V AC/DC	MM	1:1
DESIGN 宋孝家	CHECK Kazuo	APPROVE Lee	DRAWING NO.	SHEET	1/1
DATE 2021/02/01	DATE 2021/02/01	DATE 2021/02/01	C1P01-R12 K □-0D1		