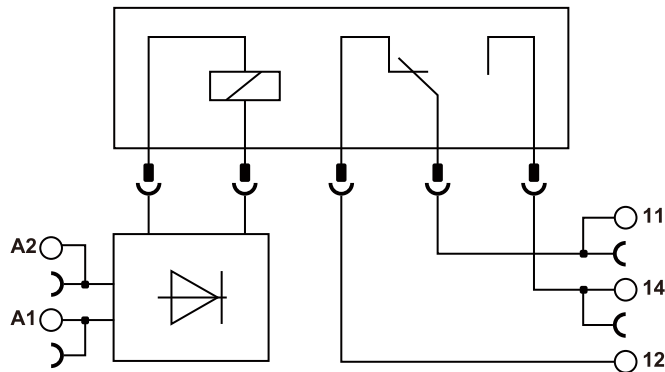
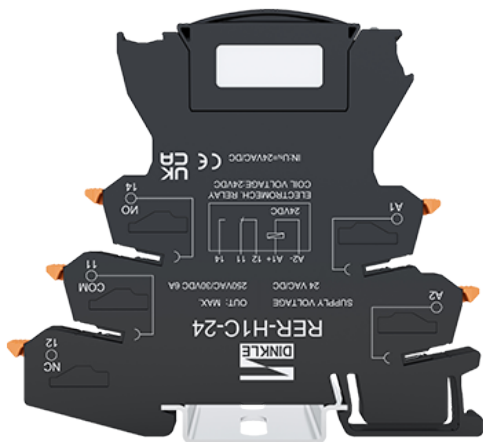


# RER-H1C-24

Electronics & Interface > Slim Relay



The web catalog is for reference only. Dinkle remains the right of product modification and engineering change of the design. The final product is made according to engineering drawing.

## Specification

Coil	
Norminal input voltage	24 VAC / VDC
Norminal input current	11.1 mA
Typical response time	≤ 8ms
Typical release time	≤ 4ms
Protective circuit	Bridge rectifier Surge protection
Indicator	Green LED
Contact	
Contact type	1C
Contact material	AgNi
Contact rating (Res. load)	6A , 250 VAC / 30 VDC
Max. switching voltage	400 VAC / 125 VDC
Max. switching current	6A
Contact resistance	≤100mΩ (1A, 6VDC)
Mechanical endurance	1 x 10 <sup>7</sup> cycles
Electrical endurance	3 x 10 <sup>4</sup> cycles, NO 1 x 10 <sup>4</sup> cycles, NC
General	

Dielectric strength	Coil&contacts	4000 VAC / 1min
	Opencontacts	1000 VAC / 1min
Shock resistance	Functional	49m/s <sup>2</sup>
	Destructive	980m/s <sup>2</sup>
T x W x H (mm)		6.2 x 89.95 x 80.9
Wire range (AWG/mm <sup>2</sup> )		24~12 / 0.2~4
Connection method		P-LUP
Stripping length (mm)		11~12
Package		10 pcs

## Approvals

