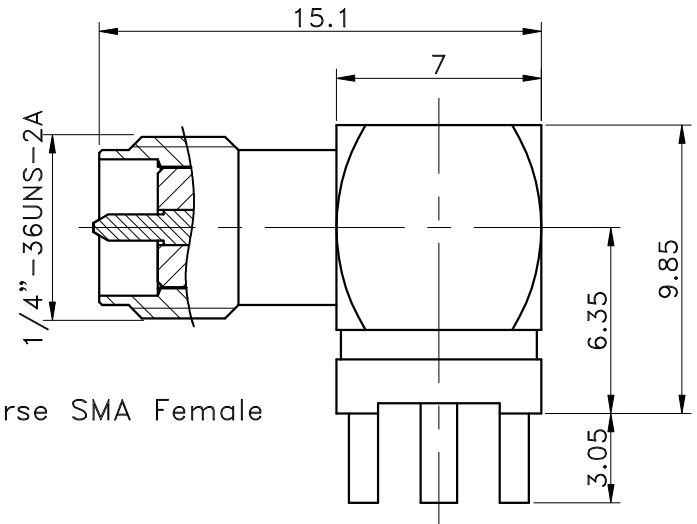
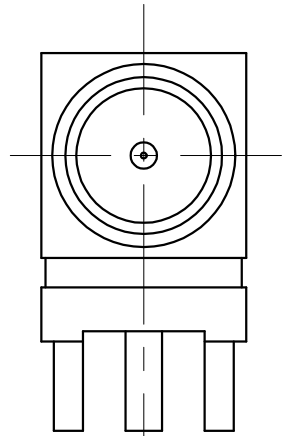
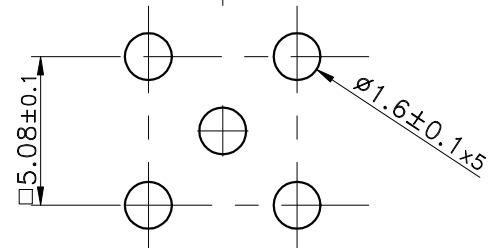


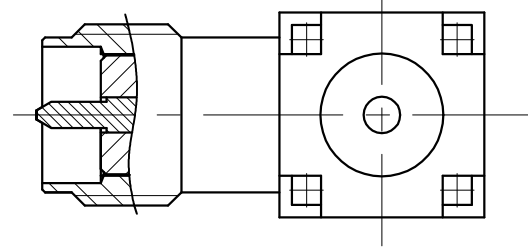
REV	ZONE	DESCRIPTION	ECN NO.	ENG	APPROVED	DATE



Reverse SMA Female



Recommended Mounting Hole



Electrical Properties	
Frequency Range	DC~6GHz
Impedance	50Ω
V.S.W.R.	≤1.6
Mechanical Properties	
Weight	1.5 g (est)
Operating Temp	-40°C ~ +85°C

UNLESS OTHERWISE SPECIFIED TOLERANCES ON: ±0.3

THIRD ANGLE PROJECTION

THIS DRAWING CONTAINS INFORMATION THAT IS PROPRIETARY TO JOYMAX AND SHOULD NOT BE USED WITHOUT WRITTEN PERMISSION.

DRAWN BY: KYLIU
DESIGNED BY:
CHECKED BY:
APPROVED BY:

MATERIAL:Brass	TITLE : SMA JACK MALE PIN R/A 50 OHM PCB
FINISH:Gold	DRAW NO. :
SCALE:4/1;UNIT:mm	PART NO. : CT-SAD11X-006M
DATE:2023/10/25	JOYMAX ELECTRONICS CO.,LTD.
REV: A	