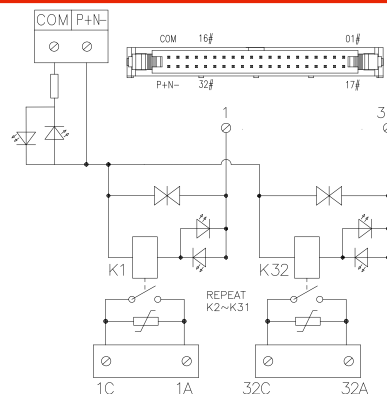


0240-A132

Electronics & Interface > Relay Modules



The web catalog is for reference only. Dinkle remains the right of product modification and engineering change of the design. The final product is made according to engineering drawing.

Specification

| Specification | |
|---------------------|----------------------|
| Relay model no. | OMRON/G6D-1A-ASI |
| Number of relays | 32 |
| Connection method | PID |
| Wire range | 26~16 AWG |
| Stripping length | 9~10 mm |
| Applicable ferrules | DN00510D DN00710D |
| L x W x H (mm) | 144 x 121.8 x 53.3 |
| Input | |
| Input voltage | 24 VDC |
| Input current | 8.3 mA |
| Connector | IDC 40-pin |
| Output | |
| Contact form | 1A |
| Output voltage | 250 VAC / 30 VDC |
| Output current | 5 A |

Approvals

RoHS **CE**