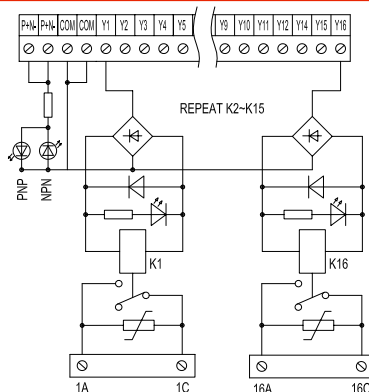


# 0240-A108

Electronics & Interface > Relay Modules



The web catalog is for reference only. Dinkle remains the right of product modification and engineering change of the design. The final product is made according to engineering drawing.

## Specification

Specification	
Relay model no.	OMRON/G6D-1A-ASI
Number of relays	8
Connection method	PID
Wire range	26~16 AWG
Stripping length	9~10 mm
Applicable ferrules	DN00510D DN00710D
L x W x H (mm)	65.2 x 77.9 x 43
Input	
Input voltage	24 VDC
Input current	8.3 mA
Connector	IDC 14-Pin
Output	
Contact form	1A
Output voltage	250 VAC / 30 VDC
Output current	5 A

## Approvals

---

**RoHS**  **CE**