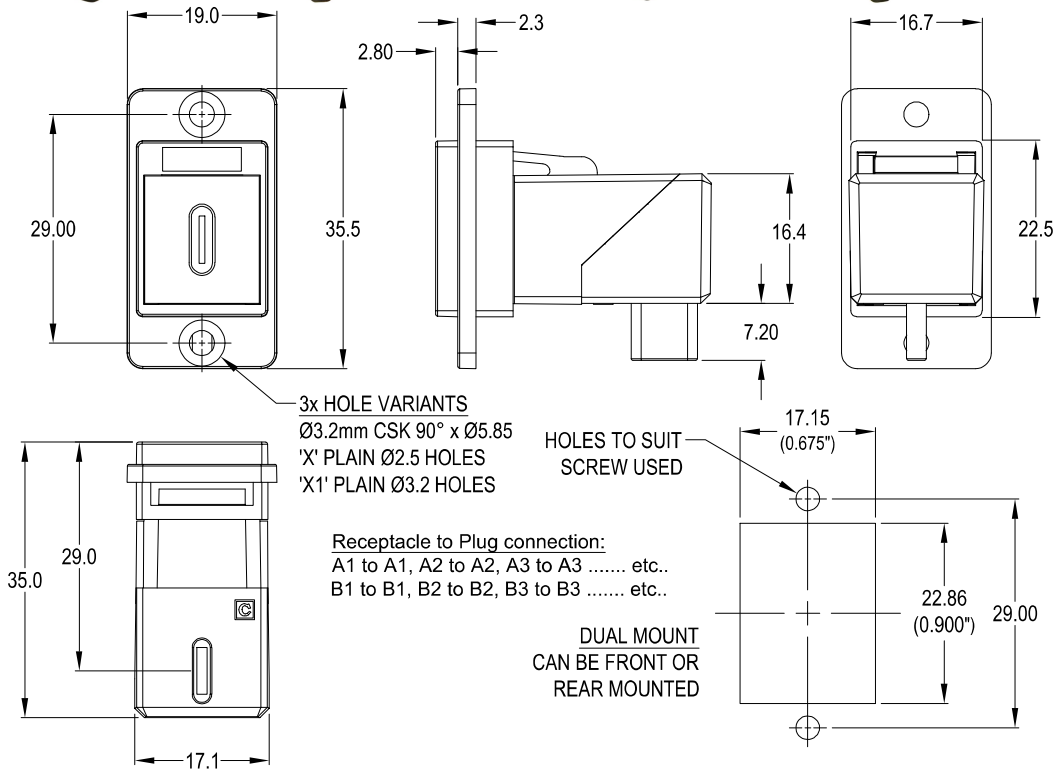




# DUALSLIM USB-C F-M RIGHT ANGLE FEEDTHROUGH CONNECTOR

Can be front or rear mounted in the panel



## VARIANTS

### Part No.

- CP30756** RAFT DUALSLIM USB-C F-M Black plastic frame, CSK holes
- CP30756X** RAFT DUALSLIM USB-C F-M Black plastic frame, Ø2.5 PLAIN holes
- CP30756X1** RAFT DUALSLIM USB-C F-M Black plastic frame, Ø3.2 PLAIN holes

### Feedthrough Features

- Fits standard rectangular cutout.
- Front or rear mounting through the panel.
- Various hole mounting options.
- No soldering or punch termination. Use standard cable for each connector style.
- Low rear profile.
- 90° or right angle rear cable entry.

### General:

Please note: Functionality is affected by cable quality, length and cable wiring configuration.

### Materials:

- Frame: PA66, UL94 V-2
- RAFT Insert: ABS, UL94 HB
- USBC Insulator: LCP, UL94 V-0
- USB-C (3.1) Specification:**
- Maximum Rated Current - 3A
- Maximum Working Voltage - 30V
- Dielectric Withstanding Voltage - 100VAC (min) 1 minute
- Contact Resistance - 40mΩ maximum
- Insulation Resistance - 100 MΩ minimum @100V DC
- Insertion Life - 10,000 Cycles
- Power Delivery (PD) Compatible - Yes