



Vertical Toroidal Common Mode Choke with Base **VCMB3316-103**



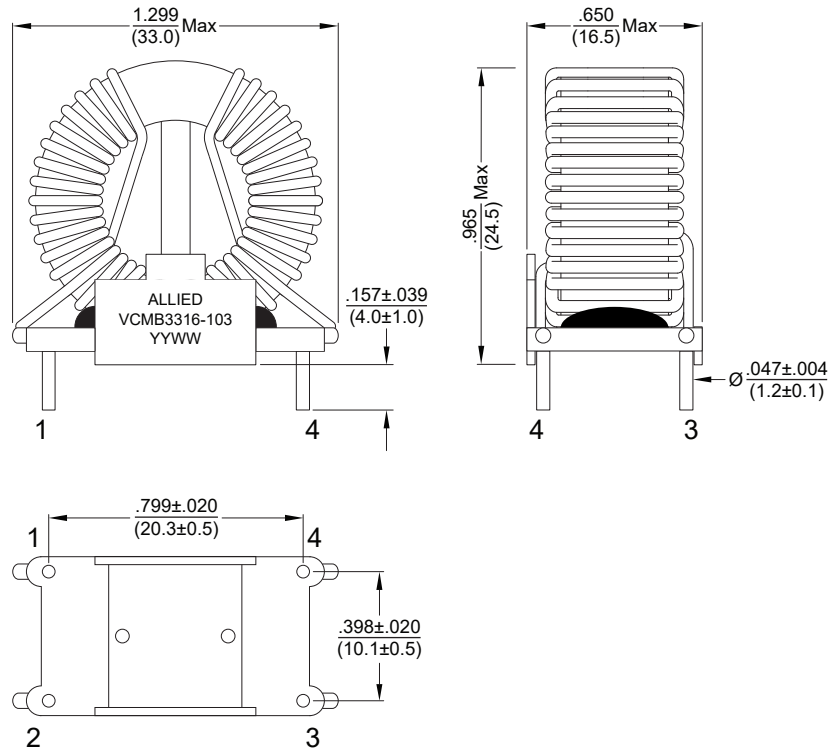
- Solid base for stable mounting
- Fixed pins for easy PCB insertion
- Operation temp range: -40°C to +105°C

Electrical Specifications @25°C					
Inductance @ 100KHz, 0.1V (N1 = N2)	Inductance Difference (N1 - N2)	DCR (mΩ) Max	Turns Ratio (1-2) : (4-3)	Rated Current (A)	Hi Pot Coil to Coil 5mA / 2sec
10mH Min	100μH Max	61	1 : 1 ±3%	6.5	1500VAC

All specifications subject to change without notice.

MECHANICAL

Dimensions: $\frac{\text{inch}}{\text{(mm)}}$



SCHEMATICS

