



- Vertical mount
- Operating Temperature Range: -40°C to +105°C

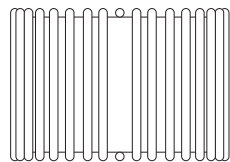
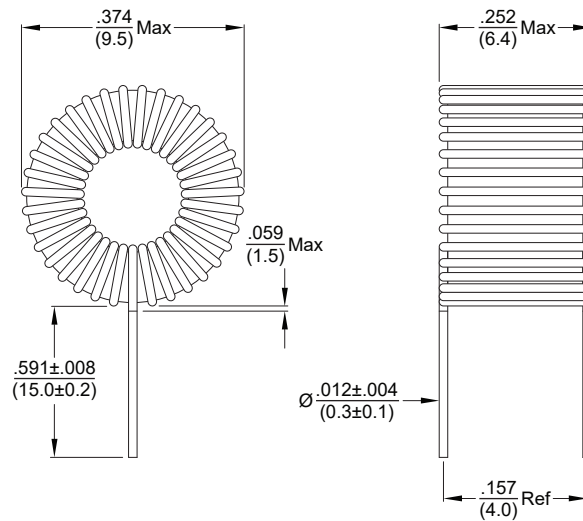


Electrical Specifications @25°C		
Inductance @ 10KHz, .05V	DC Resistance (mΩ) Max	Rated Current (A)
37μH ±20%	120	1.3

All specifications subject to change without notice.

MECHANICAL

Dimensions: $\frac{\text{inch}}{\text{(mm)}}$



Bottom View

SCHEMATICS

