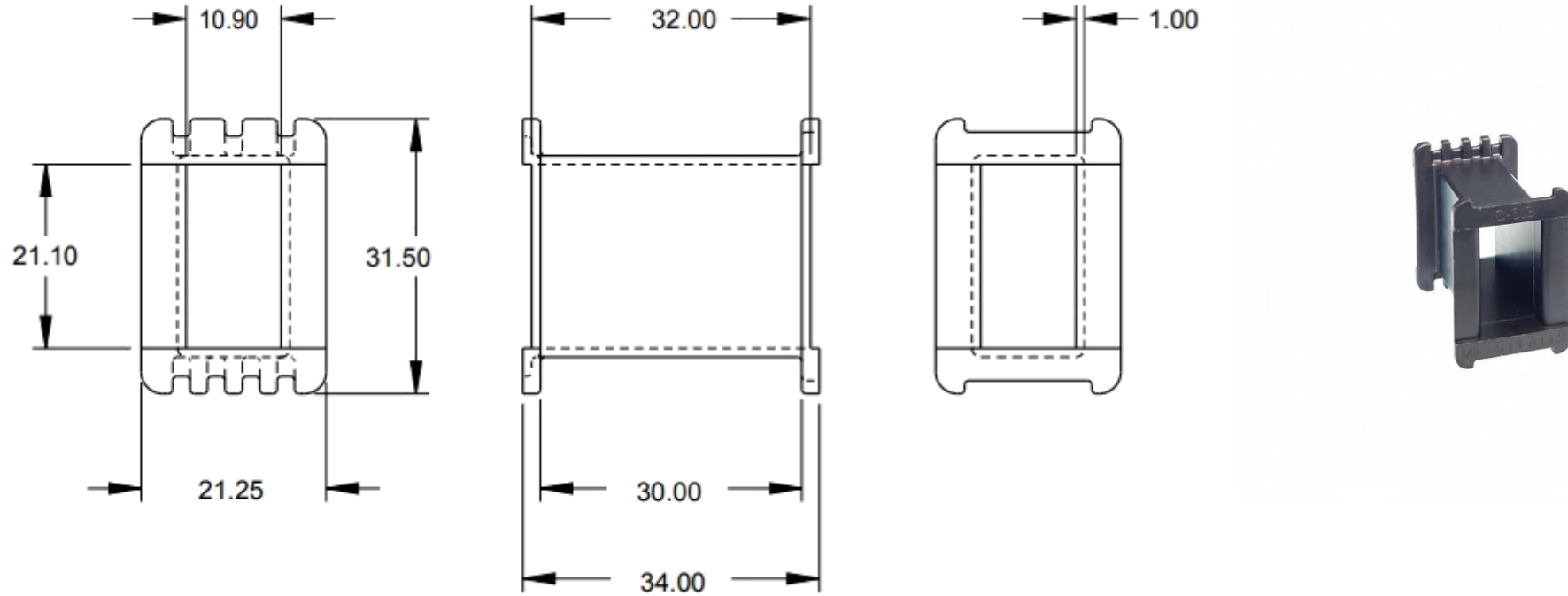




C00061



Part Number C00061	Part Weight (g) 5.0	Carton Quantity 1200	Pinning Configuration n/a
Order Code C00061FR3BLK	Material Rynite FR530L	Carton Size (mm) 465x315x260	Pin Length n/a
Part Description Bobbin C-6.3 AMCC UL94V0	Material Datasheets	Related Items n/a	Terminal Pin Material n/a
Product Range C Range	UL Rating UL94V0	3D CAD Image	Compliance information

MILES - PLATTS

+44 (0)116 264 3850

milesplatts.co.uk

enquiries@milesplatts.co.uk