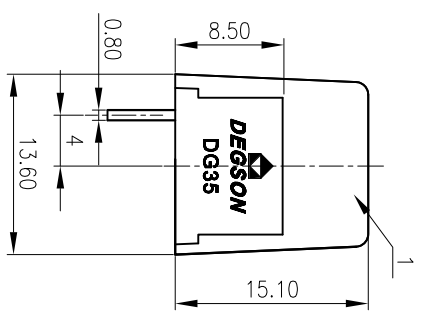


公差/General tolerances(mm)		公差/General tolerances(mm)	
0	>3	>6	>10
~	3	~	18
3	6	10	18
±0.12	±0.18	±0.22	±0.26
		±0.31	±0.37
		±0.57	±0.80
		±0.93	±1.05
		±1.15	±1.60
		±2.20	±2.50
			±2°



DEGSON	MATERIAL:	SURFACE COLOR:
APPLD: /	MAT. NO. REF: /	MAT. STATUS: /
CHKD: ZYH	NAME: DG35S-A-XXP-1Y-00L(H)	
DRAFT: CDH	DRAWING NO.:	TYPE: CUSTOMER DRAWING
	DRAFT: A4	DRAWING STATUS:
	DATE: 2022.11.28	SCALE: 4:1
		SHEET: 1/1

ITEM	NAME OF PART	MATERIAL	NOTES
3	Screw	Steel	M3/Ni Plated
2	Pin header	Brass	Sn Plated
1	Housing	PA66	UL94 V-0

UL Standard:	B	C	D
额定电压/Voltage(Rated Voltage)	300/220	/	300/110
额定电流/Current(Rated Current)	M3	0.5/4.4	
额定功率/Torque (Nm/Lbin)		22~12/0.5~4.0	
额定长度/Length (mm)		16.5/N=02~13P	
额定间距/Pitch (mm)		7~8	
额定温度/Operating temperature (°C)		-40~+105	
符合RoHS环保要求/Conform to RoHS		Yes	

REV	EON	DESCRIPTION	DRAFT	DATE