

60W 12V/24V Class 2 SMPS (Wall-mount) Adapter

Features

- UL Listed Class 2 Power Supply
- Pass LPS
- Universal AC Input 90Vac – 264Vac
- No Load Power Consumption 150mW Max
- 2-pole (No Earth Pin) USA plug
- Class II, double isolated
- Protections: Short circuit/Overload/Over voltage



Application

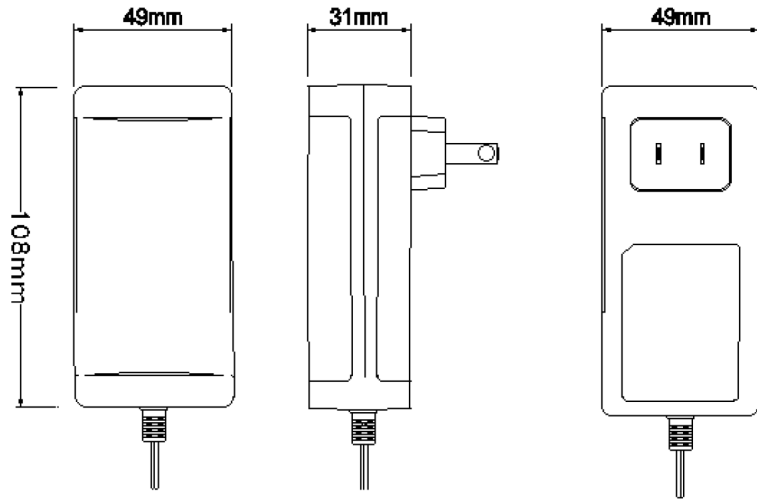
- LED Lighting
- Industrial Equipment
- Office Devices
- Consumer Electronics



Specification			
Part Number		ZF120A-1205000	ZF120A-2402500
OUTPUT	Output Voltage	12V	24V
	Max. Output Current	5A	2.5A
	Rated Power	60W	
	Max. Output Ripple & Noise	120mV	
	Voltage Tolerance	±5%	
	Line Regulation	±2%	
	Load Regulation	±5%	
INPUT	Input Voltage Range	90Vac – 264Vac	
	Rated Input Voltage	100Vac – 240Vac	
	Frequency Range	47 – 63Hz	
	AC Current	≤ 0.6 Arms @ 100-240Vac	
	Max. Inrush Current	Cold Start 50A / 115Vac	80A / 230Vac
	No Load Power Dissipation	150mW Max	
	AC Leakage Current	0.05mA Max @ 230Vac	
PROTECTION	Overload or Short Circuit	The output is in the hiccup mode until the faulty condition is removed	
ENVIRONMENT	Working Temperature	0°C ~ 40°C	
	Storage Temperature	-40°C ~ 85°C	
	Relative Humidity	0°C ~ 40°C, 5% ~ 95% RH	
	Operation Altitude	0 – 5000 meters	
Safety and EMC	Safety	UL 1310, TUV/GS CE EN62368-1 60950-1, CB IEC62368-1 60950-1, AS/NZS 62368.1 60950.1, CCC GB4943.1, PSE J62368-1 60950-1, KC K60950-1	
	EMI	FCC PART 15 Class B, BS EN55032, BS EN55015, GB17625.1, GB9254, GISPR22	
	EMS	BS EN61000-3-3, BS EN61000-4-2, BS EN61000-4-3, BS EN61000-4-4, BS EN61000-4-5, BS EN61000-4-6, BS EN61000-4-8, BS EN1000-4-11	

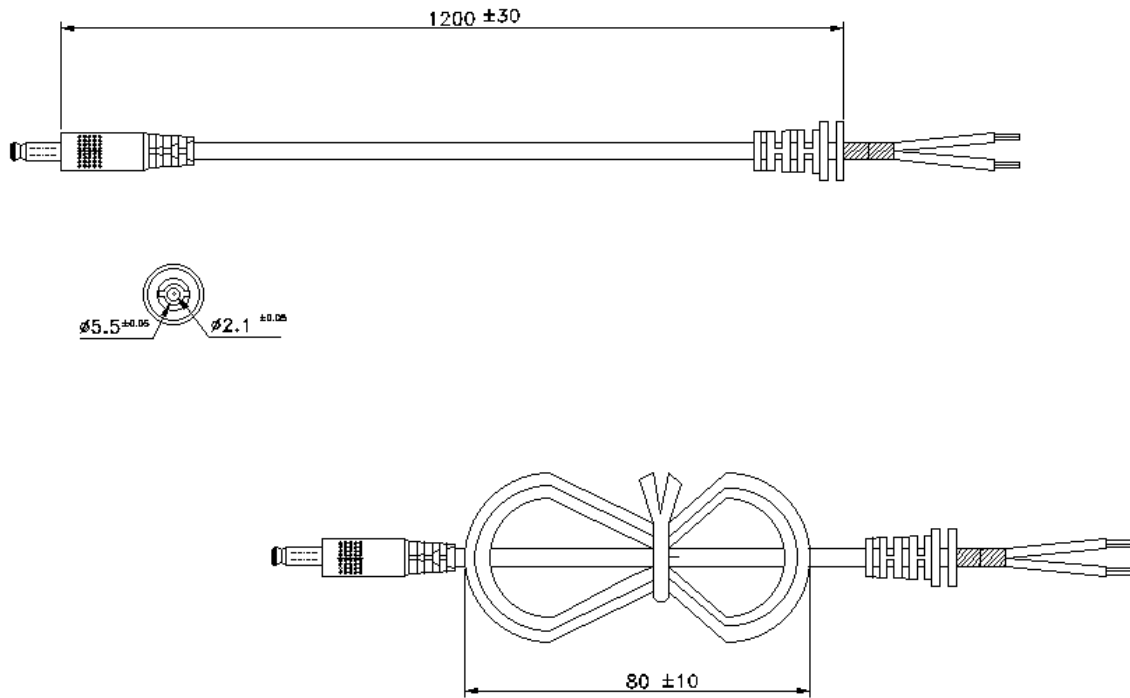
Mechanical Specification (unit: mm)

1. Dimension: 108mm x 49mm x 31mm (L x W x H)

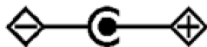


2. DC Output Cord Drawing

- a) 1200mm UL 2464 18 AWG cable
- b) DC Connector 2.1mm (ID) x 5.5mm (OD) x 11mm



3. Polarity: Center Positive



Product Family

Part Number	Power	Voltage	Style	Input	Output
ZF120A-1203000	36W	12V	UL Class 2 Wall-mount Adapter	2 Pole USA Plug	2.1mmx5.5mmx11mm DC Plug
ZF120A-2401500	36W	24V			
ZF120A-1205000	60W	12V			
ZF120A-2402500	60W	24V			
ZF120A-2404000	96W	24V	UL Class 2 Desktop Adapter		2.5mmx5.5mmx11mm DC Plug
ZF120A-4802000	96W	48V			