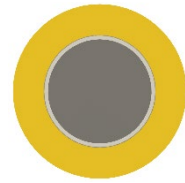




PUI audio



Data Sheet

AB4108A

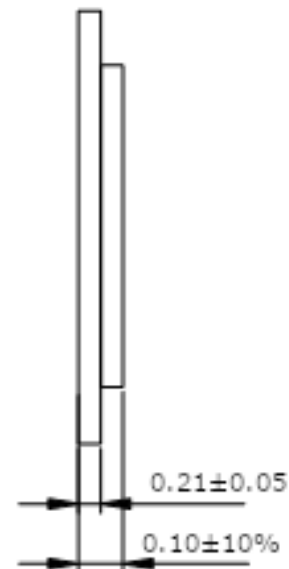
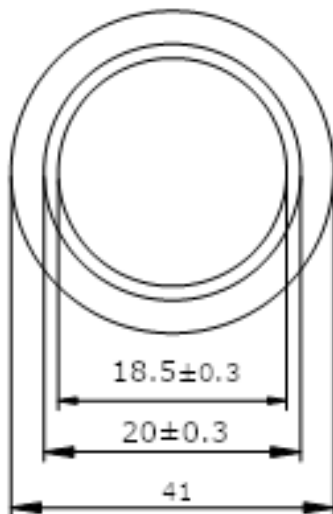
Features:

- Ultrathin and lightweight 31mm bender
- 800 Hz resonant frequency
- Low power consumption

Specifications

Parameters	Values	Units
Resonant Frequency	800 ± 300	Hz
Resonant Impedance (Max)	600	Ohms
Max Input Voltage	30	Vp-p
Capacitance (@ 120 Hz)	$75,000 \pm 30\%$	pF
Plate Material	Alloy	-
Storage Temperature	-30 ~ 80	°C
Operating Temperature	-20 ~ 70	°C
Environmental Compliances	RoHS/REACH	Exempt. 7c-1

Dimensions



Packaging

100pcs/roll, foam packaging
10 rolls/layer = 1000pcs
total 5 layers = 5,000pcs

Specifications Revisions

Revision	Description	Date	Approved
A	Released from Engineering	3/7/2024	JD

Note:

- Unless otherwise specified:
 - All dimensions are in millimeters.
 - Default tolerances are $\pm 0.5\text{mm}$ and angles are $\pm 3^\circ$.
- Specifications subject to change or withdrawal without notice.