

C310

1 pole AC and bi-directional DC
NO contactors for 150 A, 300 A and 500 A

C310 - 1 pole AC and bi-directional DC NO contactors

Compact single-pole NO contactors for AC and DC up to 1,500 volt rated insulation voltage. Making current up to 2,500 amps; conventional thermal current up to 500 amps; short-time current up to 3,000 amps.

The bi-directional DC contactors switch high powers in a small space. With a making capacity of up to 2,500 amps, the compact switchgear is suitable for applications with high inrush current or high capacities. All versions can continuously conduct up to 500 amps. In the event of a short circuit, 3,000 amps, can even flow for one second without the contacts welding. The contactor

therefore maintains its full function in order to disconnect high power ranges if necessary up to 500 amps and up to 1,500 volts - irrespective of the current direction. This full bi-directionality is important for systems with a charging and discharging process, such as in battery networks or electric vehicles. Other typical application areas are the DC circuit in inverters, combiner boxes in photovoltaic systems or the management of battery storage systems.

Features

Compact dimensions - high rated insulation voltage U_i up to 1,500 volts

Small dimensions - great performance! Nevertheless, all the air gaps in the contact area have been generously dimensioned. The rated insulation voltage is 1,500 volts. The arc chamber of the C310 is made of plastic. This is efficient and saves weight.

High making capacity I_{cm} of up to 2,500 amps

The C310 can switch on a current of up to 2,500 amps (mono-stable design in a horizontal installation position; $L/R = 0$ ms). A PWM controller regulates the coil current and ensures low-bounce switch on as well as a low holding power. High contact forces and optimised silver contacts both contribute to the excellent making capacity.

High thermal continuous current I_{th} of up to 500 amps

All versions of the C310 can continuously carry up to 500 amps. (Cross-section of the connections: 185 mm², maximum ambient temperature: 85° C; terminal heating: +65 Kelvin). The value is achieved through very high contact forces.

High short-time withstand current rating I_{cw} of up to 3,000 amps

The C310 can carry a current of up to 3,000 amps for one second without the contacts welding. This is enough time for the short circuit fuse to trip. The short-time withstand current rating is based on high contact forces and optimised silver contacts.

Full bi-directionality - reliable disconnection of high performances

All versions of the C310 can reliably disconnect high currents and voltages, irrespective of the current direction. These properties are achieved in the A and K versions through the special arrangement of blowout magnets and arcing chambers, high contact forces and generously dimensioned clearances in the contact area.

Auxiliary switch with mirror contact function

Series C310 contactors are equipped with auxiliary switches with mirror contact function in accordance with DIN EN IEC 60947-4-1, annex F. Mirror contacts are required for the feedback circuits in safety controls. Mirror contacts ensure that the NC contact of the auxiliary contact is not closed at the same time as the NO main contact.

Standards

Contactors meet requirements for industrial applications to:

IEC 60947-4-1

Low-voltage switchgear and controlgear - Part 4-1: Contactors and motor starters - Electromechanical contactors and motor starters

ISO 16750-3

Road vehicles - Environmental conditions and testing for electrical and electronic equipment - Part 3: Mechanical loads

UL 60947-4-1

Low-Voltage Switchgear and Controlgear - Part 4-1: Contactors and Motor-Starters - Electromechanical Contactors and Motor-Starters.

GB/T 14048.4

Low-Voltage Switchgear and Controlgear - Part 4-1: Contactors and Motor-Starters - Electromechanical Contactors and Motor-Starters.

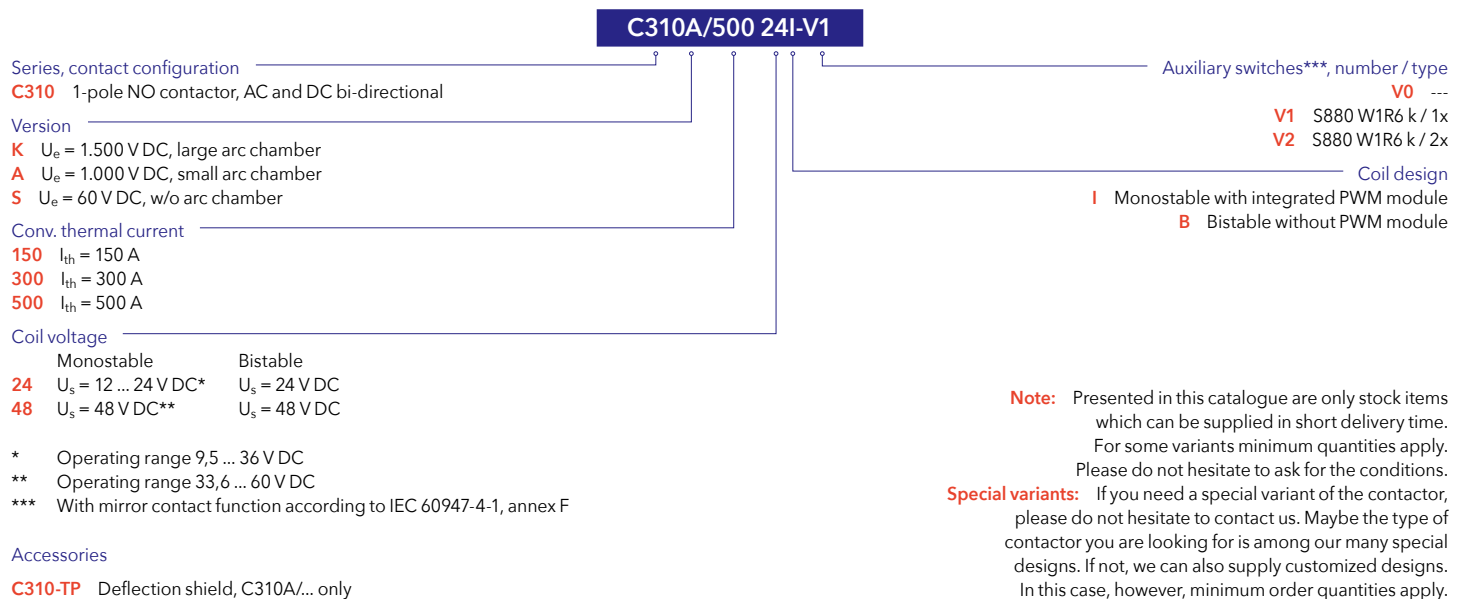
Reliable, robust and economical

Contactors of the C310 series are designed for continuous currents of 150 amps, 300 amps and 500 amps. The switchgear has both high making and breaking capacities, and a high short-time withstand current. This ensures high operational safety. An integrated electronic coil control ensures a constant and reliable switching behaviour independent of the ambient temperature. In addition, the energy consumption and associated heat development of the monostable design is noticeably reduced when switched on.

Inherent to its design, the bistable version consumes no power in either end positions.

Dependent on the application, high requirements can be placed on electromechanical components. The new DC contactors are highly resistant to shock and vibration loads and meet the high requirements of ISO 16750.

Ordering key



Applications

Thanks to many years of experience and competence developing electromechanical switchgear and the mastering DC arcs, Schaltbau has developed an innovative solution with new DC contactors that significantly simplifies applications with DC switching technology. Since the C310 series safely controls both current directions, the contactors are ideal for all applications involving energy recovery. A typical example here is energy storage, where batteries are

repeatedly charged and discharged. Other application areas for the C310 series are regenerative systems, DC charging stations and photovoltaic systems. In battery powered and hybrid vehicles, the devices can be used directly as the main contactor in the battery disconnect unit (BDU). This reliably ensures the disconnection of both poles from the vehicle in the event of a short circuit.

Photovoltaics

- DC switching in central inverters
- Electrical cabinet (combiner boxes)
- Home energy storage systems

Battery energy storage systems

- Grid stabilization and battery energy storages
- Regenerative systems in industrial plants
- Battery management systems
- Home energy storages

E-mobility

- Electrical vehicles, hybrid vehicles and trolley busses
- DC charging station
- Battery test systems



**C310K/ - 1 pole NO contactor
AC or bi-directional DC**

- Large arc chamber for significantly higher breaking capacity
- Rated insulation voltage U_i up to 1,500 V
- Rated short-circuit making capacity I_{cm} up to 2,500 A
- Conventional free air thermal current I_{th} up to 500 A
- Rated short-time withstand current I_{cw} up to 3,000 A

Arc chamber main contact system
Highly efficient plastic arc chamber with permanent magnetic blowing

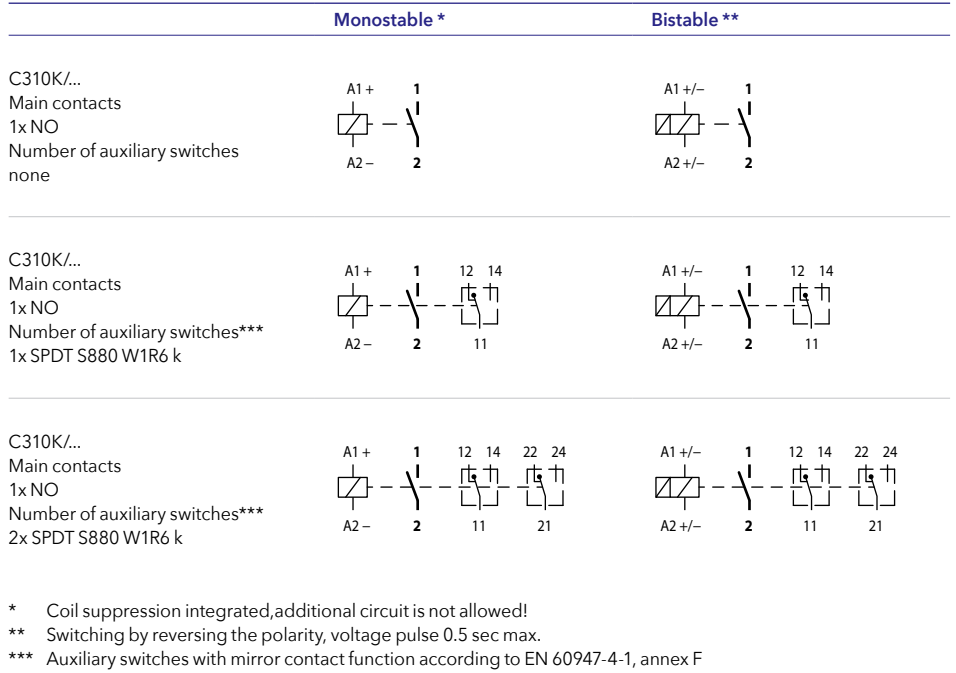
Aux. switch
S880, SPDT, flat tabs 2.8 x 0.5 mm

Coil terminal
Flat tabs 6.3 x 0.8 mm

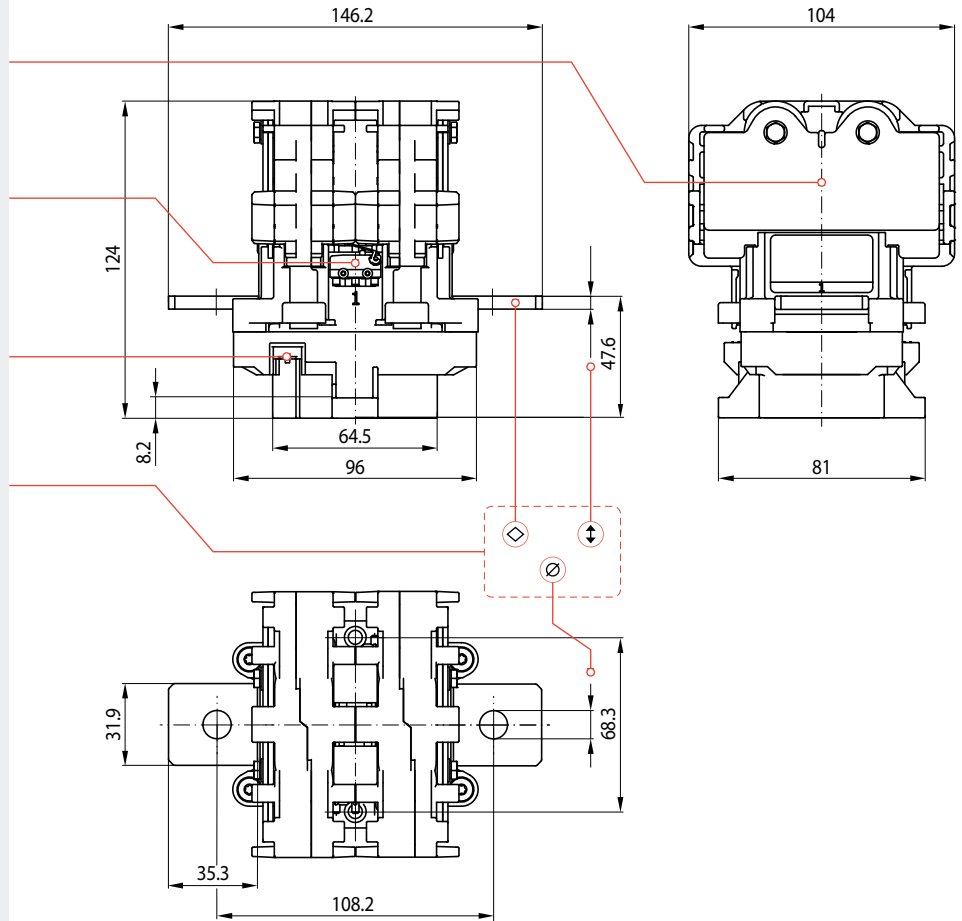
Main contact terminals

Series	Material	
C310K/150 ...	Copper	⊙
C310K/300 ...	Copper	
C310K/500 ...	Copper, silver plated	
Series	Thickness	
C310K/150 ...	3 mm	⬆
C310K/300 ...	5 mm	
C310K/500 ...	5 mm	
Series	Diameter	
C310K/150 ...	∅ 9 mm	⊙
C310K/300 ...	∅ 11 mm	
C310K/500 ...	∅ 11 mm	

Circuit diagram



Dimension diagram C310K/...



Specifications - Version «K» for $U_e = 1,500 \text{ V DC}$

Series		C310K/150	C310K/300	C310K/500
Type of voltage		DC, bi-directional / AC, $f \leq 60 \text{ Hz}$		
Main contacts, configuration		1x NO		
Electrical data according to IEC/UL 60947-4-1, GB/T 14048.4				
Rated operational voltage U_e		1,000 V @ PD3 / 1,500 V @ PD2		
Rated insulation voltage U_i		1,000 V @ PD3 / 1,500 V @ PD2		
Rated impulse withstand voltage U_{imp}		8 kV		
Pollution degree / Overvoltage category		PD2, PD3: see U_e and U_i / OV3		
Conventional free air thermal current I_{th}	$T_a = 40^\circ \text{ C}$ (cross section) $T_a = 70^\circ \text{ C}$ (cross section)	150 A (50 mm ²)	300 A (185 mm ²)	500 A (2x 150 mm ²) 400 A (240 mm ²)
Power dissipation per pole I_{th} @ 40 °C	typ.	3 W	11 W	30 W
Pole impedance	typ.	120 $\mu\Omega$	120 $\mu\Omega$	120 $\mu\Omega$
Utilization category AC-1* $U_e = 750 \text{ V}$				
Rated operational current I_e	IEC 60947-4-1	60 A	60 A	60 A
Utilization category DC-1* $U_e = 750 \text{ V}$				
Rated operational current I_e	IEC 60947-4-1, GB/T 14048.4	60 A	60 A	60 A
Utilization category DC-1* / DC general use $U_e = 600 \text{ V}$				
Rated operational current I_e	UL 60947-4-1	50 A	50 A	50 A
Frequency of operation (operations per hour) I_e	AC-1 & DC-1	360 h ⁻¹	360 h ⁻¹	360 h ⁻¹
Rated short-time withstand current I_{cw}	t = 1 s	3,000 A		
Short circuit protection device for contactors (w/o thermal overload relay) $U_e = 900 \text{ V DC}$, $I_{prosp} = 10 \text{ kA}$, coord. type "2", fuse: SIBA SQB-DC 2 (aR Type)		200 A	315 A	2x 250 A (parallel)
Additional electrical ratings of main circuit				
Conventional free air thermal current I_{th}	$T_a = 85^\circ \text{ C}$ (cross section) Terminal heating	200 A (50 mm ²) 45 K	350 A (120 mm ²) 45 K	500 A (185 mm ²) 65 K
Power dissipation per pole	I_{th} @ 40 °C, typ.	5 W	15 W	30 W
Pole impedance	typ.	125 $\mu\Omega$	120 $\mu\Omega$	120 $\mu\Omega$
Rated short-circuit making capacity I_{cm} (L/R = 0 ms)		monostable: horizontal: 2,500 A, vertical: 2,000 A		
For mono- or bistable drive (depending on mounting position)		bistable: horizontal: 750 A, vertical: 750 A		
Breaking capacity	$L_{max} = 0.25 \text{ mH}$, other values on request			
Single contact	$U_e = 1,500 \text{ V} / I_e = 300 \text{ A}$ $U_e = 1,000 \text{ V} / I_e = 500 \text{ A}$ $U_e = 900 \text{ V} / I_e = 700 \text{ A}$ $U_e = 750 \text{ V} / I_e = 1,000 \text{ A}$ $U_e = 500 \text{ V} / I_e = 1,500 \text{ A}$	10 operations 20 operations 25 operations 10 operations 15 operations		
Double contact circuit	$U_e = 1,500 \text{ V} / I_e = 1,000 \text{ A}$ $U_e = 1,000 \text{ V} / I_e = 1,500 \text{ A}$	10 operations 15 operations		
Electrical endurance		6,000 operations @ DC (L/R = 1 ms), AC ($\cos\phi = 0.8$): 750 V / 60 A		
Main contacts				
Contact material		AgSnO ₂	AgSnO ₂	AgSnO ₂
Terminals		M8	M10	M10
Torque		4.8 ... 6 Nm	8 ... 10 Nm	8 ... 10 Nm
Auxiliary contacts				
Number, configuration / Contact material		2x S880 W1R6 k max. / Silver		
Making / Breaking capacity S880		AC-15: 230 V AC / 1.0 A DC-13: 60 V DC / 0.5 A		
Minimum voltage / Current		5 V / 5 mA		
Terminals		Flat quick connect 2.8 x 0.5 mm		
Magnetic drive (monostable)				
Rated control supply voltage U_s (Operating range)		12 ... 24 V DC (9.5 ... 36 V DC) / 48 V DC (33.6 ... 60 V DC)		
Pollution degree / Overvoltage category		PD3 / OV2		
Coil power dissipation, max. ($T_a = 20^\circ \text{ C} / U_s$)		50 W (24 V) / 2.6 W		
Pull-In power (0.2 s) / Holding power		3,600 h ⁻¹ / 1,800 h ⁻¹		
Frequency of operation (operations per hour, no load)	$T_a = 20^\circ \text{ C} / 70^\circ \text{ C}$			
Pull-in time ($T_a = 20^\circ \text{ C} / U_s$) / Drop-off time ($T_a = 20^\circ \text{ C} / U_s$)	typ.	33 ms / 25 ms		
Coil suppression (integrated) / Coil terminal		Suppressor diode / Flat tabs 6.3 x 0.8 mm		
Magnetic drive (bistable)				
Rated control supply voltage U_s		24 / 48 V DC @ ON time 0.1 ... 0.5 s max.		
Pollution degree / Overvoltage category		PD3 / OV2		
Coil tolerance		-30 % ... +25 % U_s		
Coil power dissipation, max. ($T_a = 20^\circ \text{ C} / U_s$)		35 W		
Frequency of operation (operations per hour, no load)	$T_a = 20^\circ \text{ C} / 70^\circ \text{ C}$	1,800 h ⁻¹ / 1,800 h ⁻¹		
Pull-in time ($T_a = 20^\circ \text{ C} / U_s$) / Drop-off time ($T_a = 20^\circ \text{ C} / U_s$)	typ.	20 ms / 13 ms		
Coil suppression (integrated) / Coil terminal		Suppressor diode / Flat tabs 6.3 x 0.8 mm		
Mounting position		vertical / horizontal (mounting see page 11)		
Degree of protection	IEC 60529	IP00		
Mechanical endurance	main contacts monostable / bistable auxiliary contacts	2,000,000 operations / 100,000 operations 1,000,000 operations		
Shock / Vibration	IEC 61373 / ISO 16750-3	Category 1, Class B / Class C		
Temperatures	Operating temperature / Storage temperature Altitude / Humidity (EN 50125-1)	-40 °C ... +85 °C / -40 °C ... +85 °C < 4,500 m @ $U_i = 1,000 \text{ V}$ / < 3,500 m @ $U_i = 1,500 \text{ V}$ above sea level / < 75 % on an annual average		
Weight		1.24 kg	1.31 kg	1.35 kg

* Corresponds to 50 switching operations 1.5 x I_e and 6,000 switching operations 1.0 x I_e



**C310A/ - 1 pole NO contactor
AC or bi-directional DC**

- Rated insulation voltage U_i up to 1,500 V, version with small arc chamber
- Rated short-circuit making capacity I_{cm} up to 2,500 A
- Conventional free air thermal current I_{th} up to 500 A
- Rated short-time withstand current I_{cw} up to 3,000 A

Arc chamber cover

Reduces the distance to live, metallic or grounded parts

Arc chamber main contact system

Highly efficient plastic arc chamber with permanent magnetic blowing

Aux. switch

S880, SPDT, flat tabs 2.8 x 0.5 mm

Coil terminal

Flat tabs 6.3 x 0.8 mm

Main contact terminals

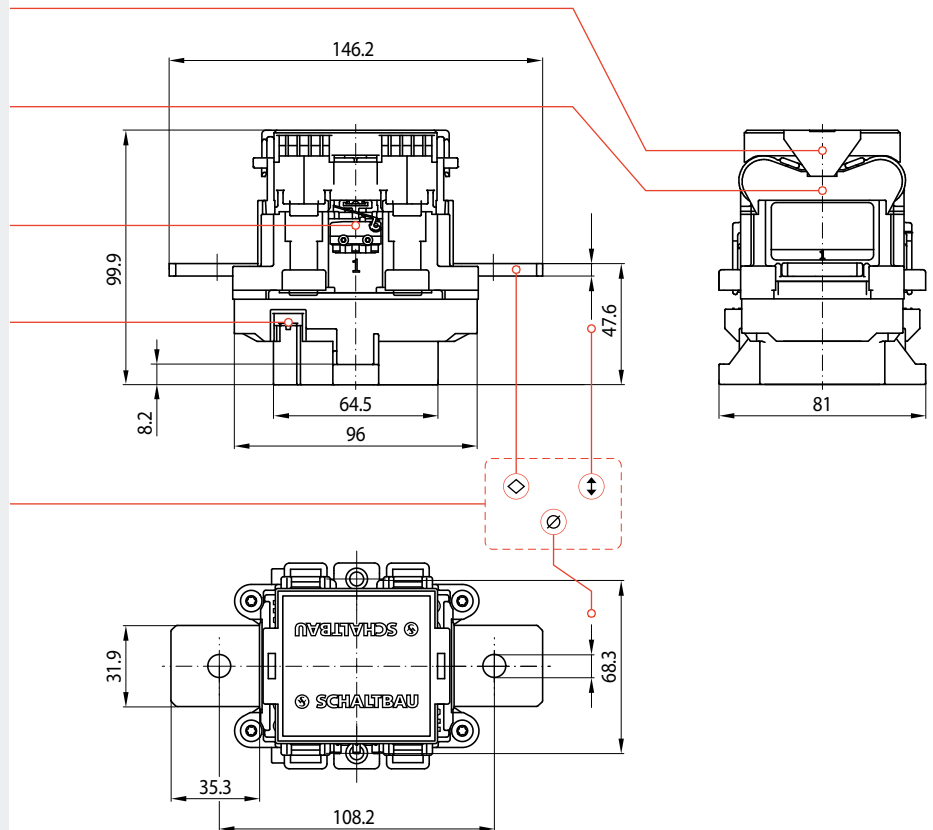
Series	Material	
C310A/150 ...	Copper	⊙
C310A/300 ...	Copper	
C310A/500 ...	Copper, silver plated	
Series	Thickness	
C310A/150 ...	3 mm	⬆
C310A/300 ...	5 mm	
C310A/500 ...	5 mm	
Series	Diameter	
C310A/150 ...	∅ 9 mm	⊙
C310A/300 ...	∅ 11 mm	
C310A/500 ...	∅ 11 mm	

Circuit diagram

	Monostable *	Bistable **
C310A/... Main contacts 1x NO Number of auxiliary switches none		
C310A/... Main contacts 1x NO Number of auxiliary switches*** 1x SPDT S880 W1R6 k		
C310A/... Main contacts 1x NO Number of auxiliary switches*** 2x SPDT S880 W1R6 k		

- * Coil suppression integrated, additional circuit is not allowed!
- ** Switching by reversing the polarity, voltage pulse 0.5 sec max.
- *** Auxiliary switches with mirror contact function according to EN 60947-4-1, annex F

Dimension diagram C310A/...



Specifications - Version «A» for $U_e = 1,000 \text{ V DC}$

Series		C310A/150	C310A/300	C310A/500
Type of voltage		DC, bi-directional / AC, $f \leq 60 \text{ Hz}$		
Main contacts, configuration		1x NO		
Electrical data according to IEC/UL 60947-4-1, GB/T 14048.4				
Rated operational voltage U_e		1,000 V		
Rated insulation voltage U_i		1,000 V @ PD3 / 1,500 V @ PD2		
Rated impulse withstand voltage U_{imp}		10 kV		
Pollution degree / Overvoltage category		PD2, PD3: see U_e and U_i / OV3		
Conventional free air thermal current I_{th}	$T_a = 40^\circ \text{ C}$ (cross section) $T_a = 70^\circ \text{ C}$ (cross section)	150 A (50 mm ²)	300 A (185 mm ²)	500 A (2x 150 mm ²) 400 A (240 mm ²)
Power dissipation per pole I_{th} @ 40 °C	typ.	3.5 W	11 W	30 W
Pole impedance	typ.	150 $\mu\Omega$	120 $\mu\Omega$	120 $\mu\Omega$
Utilization category AC-1* $U_e = 750 \text{ V}$				
Rated operational current I_e	IEC 60947-4-1	60 A	60 A	60 A
Utilization category DC-1* $U_e = 750 \text{ V}$				
Rated operational current I_e	IEC 60947-4-1, GB/T 14048.4	60 A	60 A	60 A
Utilization category DC-1* / DC general use $U_e = 600 \text{ V}$				
Rated operational current I_e	UL 60947-4-1	50 A	50 A	50 A
Frequency of operation (operations per hour) I_e	AC-1 & DC-1	360 h ⁻¹	360 h ⁻¹	360 h ⁻¹
Rated short-time withstand current I_{cw}	t = 1 s	3,000 A		
Short circuit protection device for contactors (w/o thermal overload relay)				
$U_e = 900 \text{ V DC}$, $I_{prosp} = 10 \text{ kA}$, coord. type "2", fuse: SIBA SQB-DC 2 (aR Type)		200 A	315 A	2x 250 A (parallel)
Additional electrical ratings of main circuit				
Conventional free air thermal current I_{th}	$T_a = 85^\circ \text{ C}$ (cross section) Terminal heating	200 A (50 mm ²) 45 K	350 A (120 mm ²) 45 K	500 A (185 mm ²) 65 K
Power dissipation per pole	I_{th} @ 40 °C, typ.	5 W	15 W	30 W
Pole impedance	typ.	125 $\mu\Omega$	120 $\mu\Omega$	120 $\mu\Omega$
Rated short-circuit making capacity I_{cm} (L/R = 0 ms)		monostable: horizontal: 2,500 A, vertical: 2,000 A bistable: horizontal: 750 A, vertical: 750 A		
For mono- or bistable drive (depending on mounting position)				
Breaking capacity	$L_{max} = 0.25 \text{ mH}$, other values on request			
Single contact	$U_e = 1,500 \text{ V} / I_e = 50 \text{ A}$ $U_e = 900 \text{ V} / I_e = 400 \text{ A}$ $U_e = 750 \text{ V} / I_e = 500 \text{ A}$ $U_e = 500 \text{ V} / I_e = 800 \text{ A}$	60 operations 60 operations 60 operations 60 operations		
Double contact circuit	$U_e = 1,500 \text{ V} / I_e = 500 \text{ A}$ $U_e = 1,000 \text{ V} / I_e = 800 \text{ A}$	60 operations 60 operations		
Electrical endurance		6,000 operations @ DC (L/R = 1 ms), AC ($\cos\phi = 0.8$): 750 V / 60 A		
Main contacts				
Contact material		AgSnO ₂	AgSnO ₂	AgSnO ₂
Terminals		M8	M10	M10
Torque		4.8 ... 6 Nm	8 ... 10 Nm	8 ... 10 Nm
Auxiliary contacts				
Number, configuration / Contact material		2x S880 W1R6 k max. / Silver		
Making / Breaking capacity S880		AC-15: 230 V AC / 1.0 A DC-13: 60 V DC / 0.5 A		
Minimum voltage / Current		5 V / 5 mA		
Terminals		Flat quick connect 2.8 x 0.5 mm		
Magnetic drive (monostable)				
Rated control supply voltage U_s (Operating range)		12 ... 24 V DC (9.5 ... 36 V DC) / 48 V DC (33.6 ... 60 V DC)		
Pollution degree / Overvoltage category		PD3 / OV2		
Coil power dissipation, max. ($T_a = 20^\circ \text{ C} / U_s$)		50 W (24 V) / 2.6 W		
Frequency of operation (operations per hour, no load)	$T_a = 20^\circ \text{ C} / 70^\circ \text{ C}$	3,600 h ⁻¹ / 1,800 h ⁻¹		
Pull-in time ($T_a = 20^\circ \text{ C} / U_s$) / Drop-off time ($T_a = 20^\circ \text{ C} / U_s$)	typ.	33 ms / 25 ms		
Coil suppression (integrated) / Coil terminal		Suppressor diode / Flat tabs 6.3 x 0.8 mm		
Magnetic drive (bistable)				
Rated control supply voltage U_s (Min. operating voltage)		24 V DC (16.8 V DC) @ ON time 0.1 ... 0.5 s max. / 48 V DC (33.6 V DC) @ ON time 0.1 ... 0.5 s max.		
Pollution degree / Overvoltage category		PD3 / OV2		
Coil power dissipation, max. ($T_a = 20^\circ \text{ C} / U_s$)		35 W		
Frequency of operation (operations per hour, no load)	$T_a = 20^\circ \text{ C} / 70^\circ \text{ C}$	1,800 h ⁻¹ / 1,800 h ⁻¹		
Pull-in time ($T_a = 20^\circ \text{ C} / U_s$) / Drop-off time ($T_a = 20^\circ \text{ C} / U_s$)	typ.	20 ms / 13 ms		
Coil suppression (integrated) / Coil terminal		Suppressor diode / Flat tabs 6.3 x 0.8 mm		
Mounting position		vertical / horizontal (mounting see page 11)		
Degree of protection	IEC 60529	IP00		
Mechanical endurance	main contacts monostable / bistable auxiliary contacts	2,000,000 operations / 100,000 operations 1,000,000 operations		
Shock / Vibration	IEC 61373 / ISO 16750-3	Category 1, Class B / Class C		
Temperatures	Operating temperature / Storage temperature Altitude / Humidity (EN 50125-1)	-40 °C ... +85 °C / -40 °C ... +85 °C < 4,500 m @ $U_i = 1,000 \text{ V}$ / < 3,500 m @ $U_i = 1,500 \text{ V}$ above sea level / < 75 % on an annual average		
Weight		0.83 kg	0.90 kg	0.95 kg

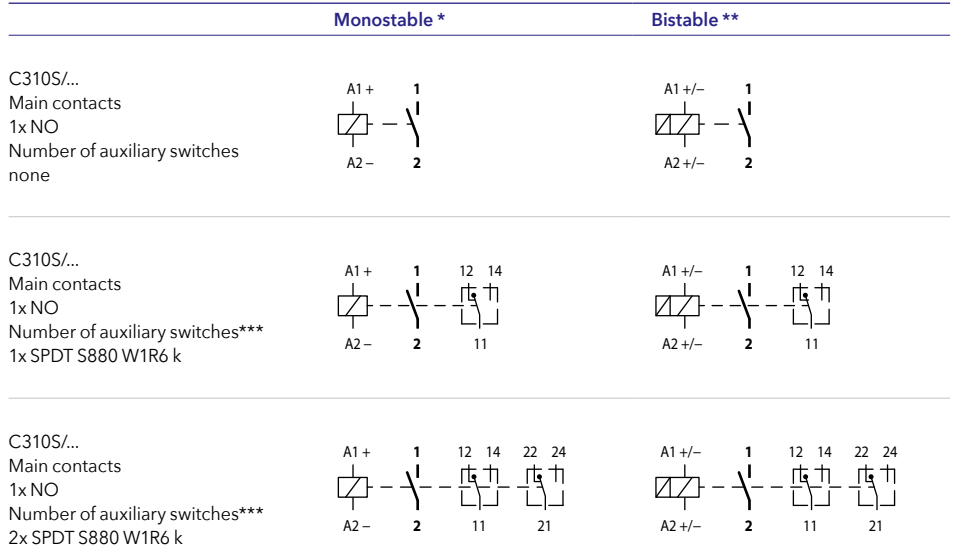
* Corresponds to 50 switching operations $1.5 \times I_e$ and 6,000 switching operations $1.0 \times I_e$



**C310S/ - 1 pole NO contactor
AC or bi-directional DC**

- Rated insulation voltage U_i up to 1,500 V, version without arc chamber
- Rated short-circuit making capacity I_{cm} up to 2,500 A
- Conventional free air thermal current I_{th} up to 500 A
- Rated short-time withstand current I_{cw} up to 3,000 A

Circuit diagram



* Coil suppression integrated, additional circuit is not allowed!
 ** Switching by reversing the polarity, voltage pulse 0.5 sec max.
 *** Auxiliary switches with mirror contact function according to EN 60947-4-1, annex F

Switching chamber
Main contact system w/o arc chamber

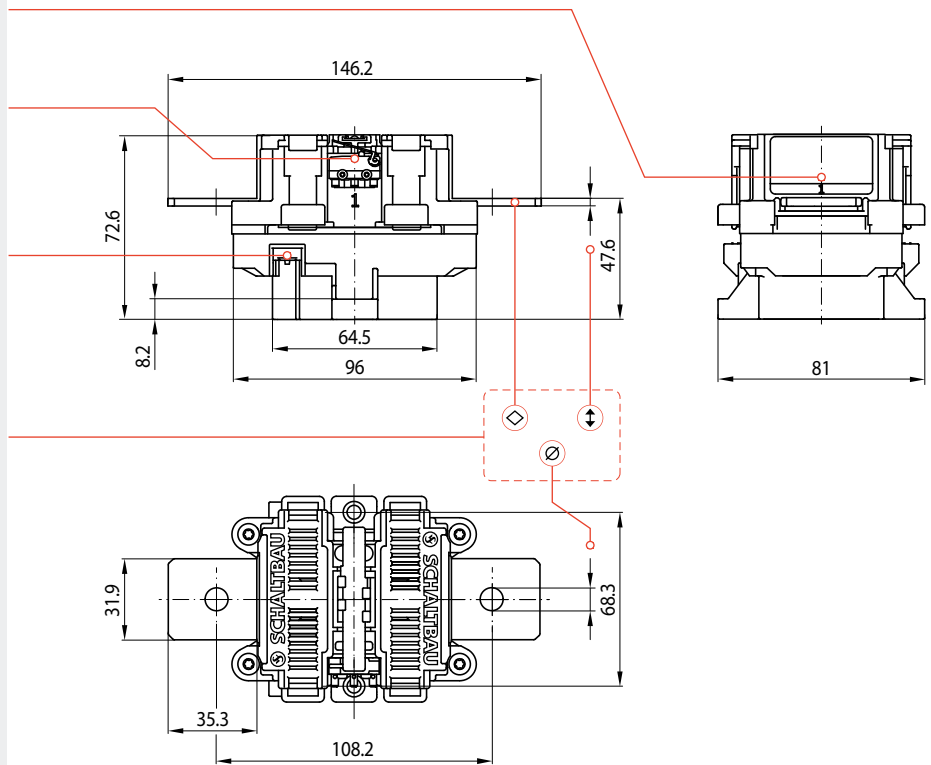
Aux. switch
S880, SPDT, flat tabs 2.8 x 0.5 mm

Coil terminal
Flat tabs 6.3 x 0.8 mm

Main contact terminals

Series	Material	
C310S/150 ...	Copper	⊙
C310S/300 ...	Copper	
C310S/500 ...	Copper, silver plated	
Series	Thickness	
C310S/150 ...	3 mm	⬆
C310S/300 ...	5 mm	
C310S/500 ...	5 mm	
Series	Diameter	
C310S/150 ...	∅ 9 mm	⊗
C310S/300 ...	∅ 11 mm	
C310S/500 ...	∅ 11 mm	

Dimension diagram C310S/...



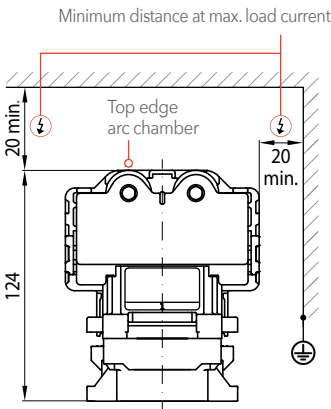
Specifications - Version «S» for $U_e = 60 \text{ V DC}$

Series		C310S/150	C310S/300	C310S/500
Type of voltage		DC, bi-directional / AC, $f \leq 60 \text{ Hz}$		
Main contacts, configuration		1x NO		
Electrical data according to IEC/UL 60947-4-1, GB/T 14048.4				
Rated operational voltage U_e		60 V @ PD3		
Rated insulation voltage U_i		1,000 V @ PD3 / 1,500 V @ PD2		
Rated impulse withstand voltage U_{imp}		10 kV		
Pollution degree / Overvoltage category		PD2, PD3: see U_e and U_i / OV3		
Conventional free air thermal current I_{th}	$T_a = 40^\circ \text{ C}$ (cross section) $T_a = 70^\circ \text{ C}$ (cross section)	150 A (50 mm ²)	300 A (185 mm ²)	500 A (2x 150 mm ²) 400 A (240 mm ²)
Power dissipation per pole I_{th} @ 40 °C	typ.	3.5 W	11 W	30 W
Pole impedance	typ.	150 $\mu\Omega$	120 $\mu\Omega$	120 $\mu\Omega$
Utilization category AC-1* / AC general use $U_e = 48 \text{ V}$				
Rated operational current I_e	IEC 60947-4-1	150 A	300 A	500 A
Utilization category DC-1* / DC general use $U_e = 48 \text{ V}$				
Rated operational current I_e	IEC 60947-4-1, GB/T 14048.4	150 A	300 A	500 A
Frequency of operation I_e	AC-1 & DC-1	360 h ⁻¹	360 h ⁻¹	360 h ⁻¹
Rated short-time withstand current I_{cw}	t = 1 s	3,000 A		
Short circuit protection device for contactors		on request	on request	on request
Additional electrical ratings of main circuit				
Conventional free air thermal current I_{th}	$T_a = 85^\circ \text{ C}$ (cross section) Terminal heating	200 A (50 mm ²) 45 K	350 A (120 mm ²) 45 K	500 A (185 mm ²) 65 K
Power dissipation per pole	I_{th} @ 40 °C, typ.	5 W	15 W	30 W
Pole impedance	typ.	125 $\mu\Omega$	120 $\mu\Omega$	120 $\mu\Omega$
Rated short-circuit making capacity I_{cm} (L/R = 0 ms)		monostable: horizontal: 2,500 A, vertical: 2,000 A		
For mono- or bistable drive (depending on mounting position)		bistable: horizontal: 750 A, vertical: 750 A		
Breaking capacity (L/R = 0.1 ms)	$U_e = 60 \text{ V} / I_e = 2,000 \text{ A}$ $U_e = 96 \text{ V} / I_e = 1,300 \text{ A}$	60 operations 60 operations		
Electrical endurance		10,000 operations DC (L/R = 1 ms)	10,000 operations DC (L/R = 1 ms)	10,000 operations DC (L/R = 1 ms)
		AC (cos ϕ = 0.8): 48 V / 150 A	AC (cos ϕ = 0.8): 48 V / 300 A	AC (cos ϕ = 0.8): 48 V / 500 A
Main contacts				
Contact material		AgSnO ₂	AgSnO ₂	AgSnO ₂
Terminals		M8	M10	M10
Torque		4.8 ... 6 Nm	8 ... 10 Nm	8 ... 10 Nm
Auxiliary contacts				
Number, configuration / Contact material		2x S880 W1R6 k max. / Silver		
Making / Breaking capacity S880		AC-15: 230 V AC / 1.0 A	DC-13: 60 V DC / 0.5 A	
Minimum voltage / Current		5 V / 5 mA		
Terminals		Flat quick connect 2.8 x 0.5 mm		
Magnetic drive (monostable)				
Rated control supply voltage U_s (Operating range)		12 ... 24 V DC (9.5 ... 36 V DC) / 48 V DC (33.6 ... 60 V DC)		
Pollution degree / Overvoltage category		PD3 / OV2		
Coil power dissipation, max. ($T_a = 20^\circ \text{ C} / U_s$)		50 W (24 V) / 2.6 W		
Pull-in power (0.2 s) / Holding power		50 W (24 V) / 2.6 W		
Frequency of operation (operations per hour, no load)	$T_a = 20^\circ \text{ C} / 70^\circ \text{ C}$	3,600 h ⁻¹ / 1,800 h ⁻¹		
Pull-in time ($T_a = 20^\circ \text{ C} / U_s$) / Drop-off time ($T_a = 20^\circ \text{ C} / U_s$)	typ.	33 ms / 25 ms		
Coil suppression (integrated) / Coil terminal		Suppressor diode / Flat tabs 6.3 x 0.8 mm		
Magnetic drive (bistable)				
Rated control supply voltage U_s (Min. operating voltage)		24 V DC (16.8 V DC) @ ON time 0.1 ... 0.5 s max. / 48 V DC (33.6 V DC) @ ON time 0.1 ... 0.5 s max.		
Pollution degree / Overvoltage category		PD3 / OV2		
Coil power dissipation, max. ($T_a = 20^\circ \text{ C} / U_s$)		35 W		
Frequency of operation (operations per hour, no load)	$T_a = 20^\circ \text{ C} / 70^\circ \text{ C}$	1,800 h ⁻¹ / 1,800 h ⁻¹		
Pull-in time ($T_a = 20^\circ \text{ C} / U_s$) / Drop-off time ($T_a = 20^\circ \text{ C} / U_s$)	typ.	20 ms / 13 ms		
Coil suppression (integrated) / Coil terminal		Suppressor diode / Flat tabs 6.3 x 0.8 mm		
Mounting position		vertical / horizontal (mounting see page 11)		
Degree of protection	IEC 60529	IP00		
Mechanical endurance	main contacts monostable / bistable auxiliary contacts	2,000,000 operations / 100,000 operations 1,000,000 operations		
Shock / Vibration	IEC 61373 / ISO 16750-3	Category 1, Class B / Class C		
Temperatures	Operating temperature / Storage temperature Altitude / Humidity (EN 50125-1)	-40 °C ... +85 °C / -40 °C ... +85 °C < 4,500 m @ $U_i = 1,000 \text{ V}$ / < 3,500 m @ $U_i = 1,500 \text{ V}$ above sea level / < 75 % on an annual average		
Weight		0.55 kg	0.63 kg	0.65 kg

* Corresponds to 50 switching operations 1.5 x I_e and 6,000 switching operations 1.0 x I_e

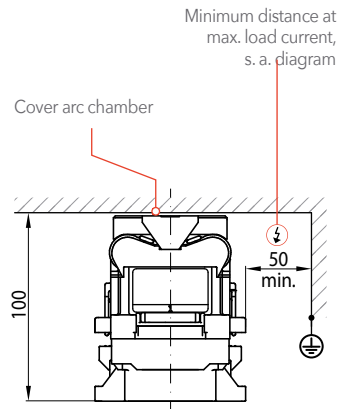
Minimum distances, deflection shields, mounting holes

C310K/... with large arc chamber



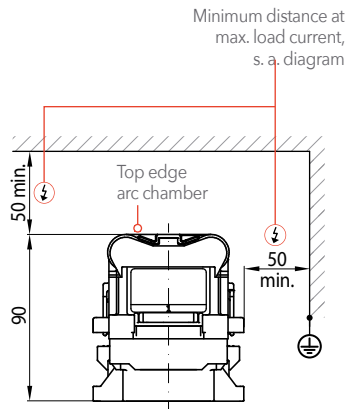
For the C310K/150, C310K/300 and C310K/500 series there is a minimum distance of 20 mm to magnetically active, live or earthed parts.

C310A/... with arc chamber cover



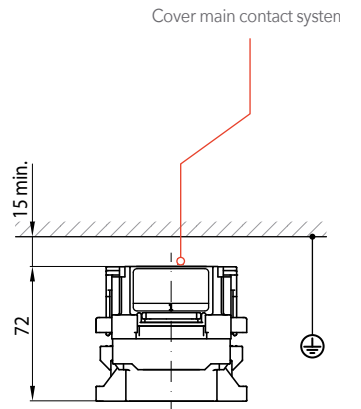
The extinguishing chamber cover is part of the standard scope of delivery for the C310A/150, C310A/300 and C310A/500 series.

C310A/... w/o arc chamber cover



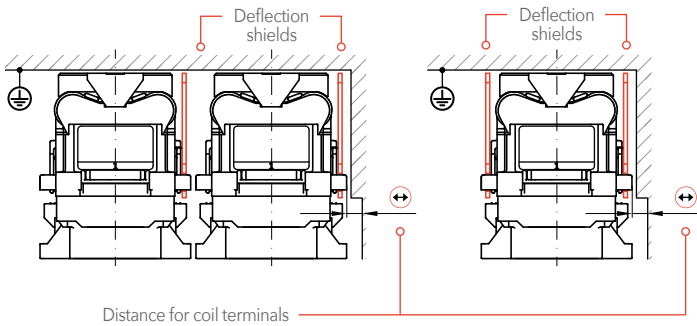
It is permissible to use the C310A/150, C310A/300 and C310A/500 series without arc chamber cover, taking into account additional clearance dimensions.

C310S/... w/o arc chamber



For the C310S/150, C310S/300 and C310S/500 series there is a minimum distance of 15 mm to magnetically active, live or earthed parts.

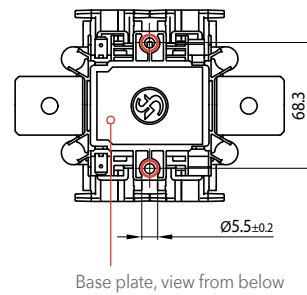
Insertable deflection shields



i C310A/... series only:
The use of insertable deflection shields reduces the minimum distance to 0 mm. Without deflection shields, the minimum distance of the contactors, depending on the arrangement, can increase to 100 mm.

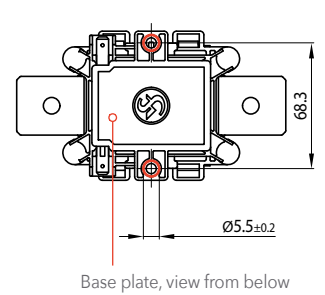
Mounting holes

C310K/...



Base plate, view from below

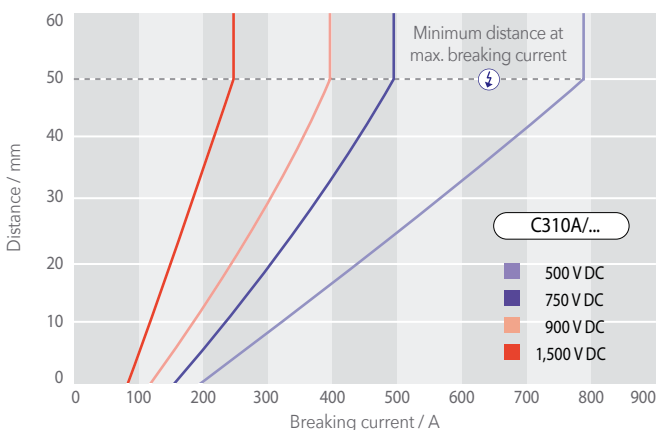
C310A/..., C310S/...



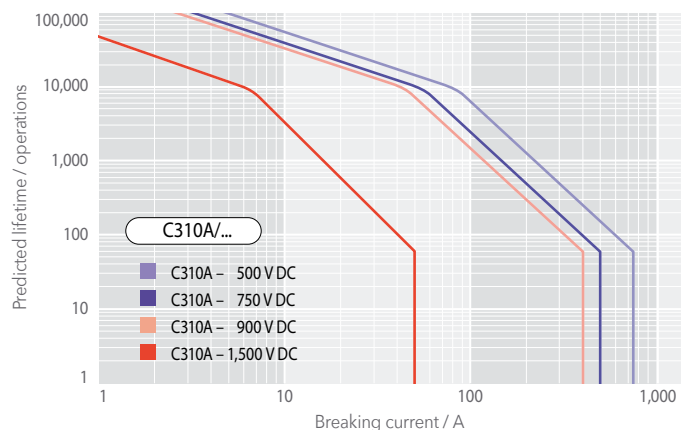
Base plate, view from below

Electrical endurance

Minimum distances ⚡ to live or earthed parts

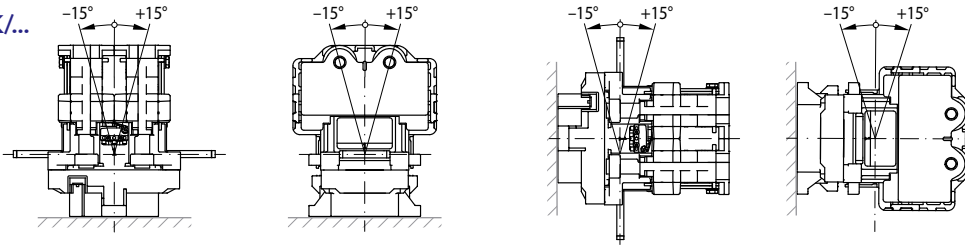


Predicted electrical endurance as a function of the breaking current

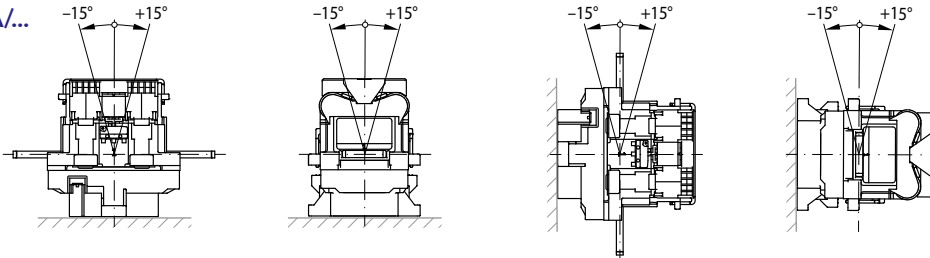


Mounting instructions

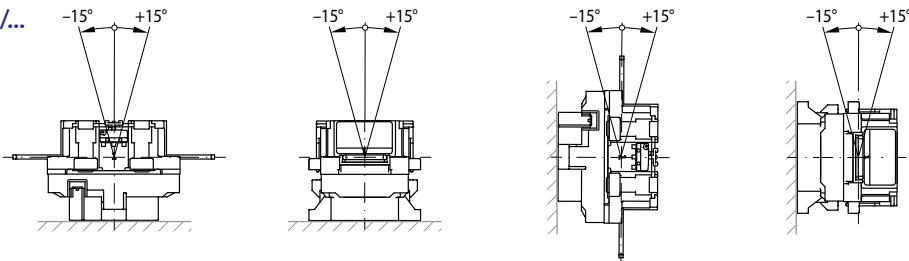
C310K/...



C310A/...



C310S/...



Horizontal assembly
«Table mounting»

Vertical assembly
«Wall mounting»

i The contactors are mounted on a mounting plate with two M5 screws.

i The contactors can be mounted horizontally or vertically on a prepared mounting plate.

! Mounting positions hanging upside down are not allowed!

Maintenance and safety instructions

Maintenance:

- C310 series contactors are basically maintenance free.
- Make regular in-depth visual inspections once or twice a year.

Safety instructions:

- The device must be used according to the intended purpose as specified in the technical documentation. You are obliged to observe all specifications depending on operating temperature, degree of pollution etc. that are relevant to your application.
- Without further safety measures the contactors are not suited for use in potentially explosive atmospheres.
- In case of malfunction of the device or uncertainties stop using it any longer and contact the manufacturer instantly.
- Tampering with the device can seriously affect the safety of people and equipment. This is not permitted and leads to an exclusion of liability and warranty.
- Coil suppression for reducing surges when the coil is switched off is optimally attuned to the contactors switching behaviour. The existing opening characteristic must not be negatively influenced by parallel connection with an external diode.
- Contactors running permanently may heat up. So make sure that the contactor has sufficiently cooled down before you start any inspection or maintenance work.



For detailed maintenance, safety and mounting instructions please refer to our operating manuals > C310-M.en!

- When installing contactors with magnetic blowout make sure to do it in such a way that no magnetizable parts can be attracted by the permanent magnets that are also capable of destroying all data of swipe cards.
- In general, strong electromagnetic fields can be generated in the area around the contactors. These can influence other components in the area of the contactors.
- Improper handling of the contactor, e.g. when hitting the floor with some impact, can result in breakage, visible cracks and deformation.



Defective contactors or parts (e.g. arc chambers, auxiliary switches) must be replaced immediately!



For a detailed list of all safety instructions see here: > schaltbau.info/safety3en/

We enable electrification for a sustainable future

Schaltbau is a global technology leader specializing in contactors, connectors, switches, and electrical devices.

As pioneers of electrification, Schaltbau has been championing safety on rail for generations. Building on nearly a century of rail experience, with our sub-brand Eddicy we also create future-oriented products and solutions with the highest standards of safety and reliability to switch, connect, control and protect DC applications in energy and e-mobility.

Headquartered in Germany, Schaltbau has a worldwide presence with 12 production and sales sites on all major continents.

Find out more on www.schaltbau.com.