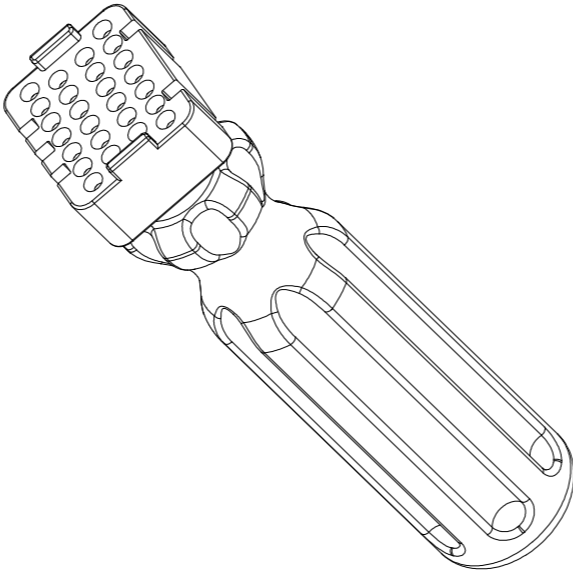
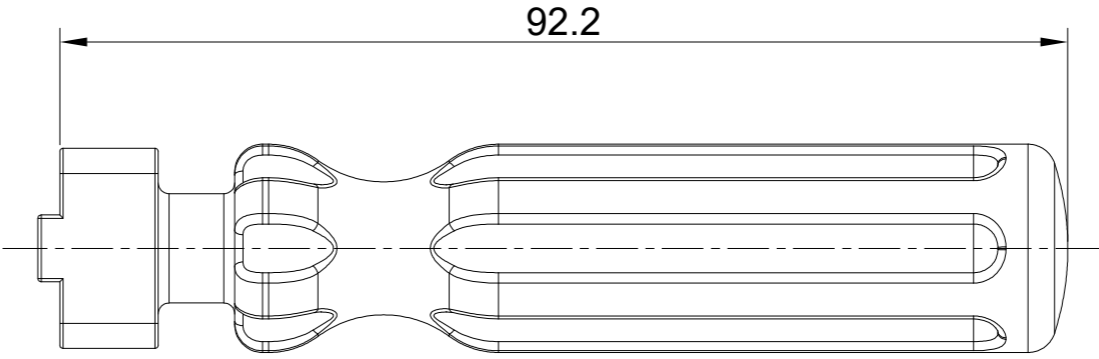
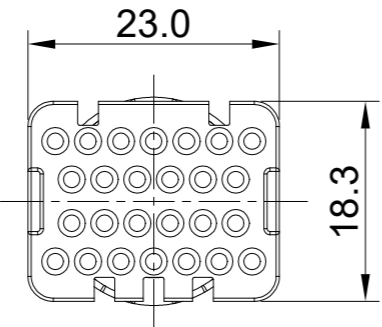


REVISIONS					
REV	ECO	DESCRIPTION	DATE	BY	APPR
A1	-	RELEASED DRAWING	Aug-14-2023	LUCAS	TOMMY



- NOTES: UNLESS OTHERWISE SPECIFIED
- 1.MATERIAL:PHOTOSENSITIVE RESIN; COLOR: WHITE.
 2. ROHS COMPLIANT.
 - 3.USE FOR ATS 26 POS RECEPTACLE.
 - 4.ALL DIMENSIONS ARE FOR REFERENCE USE ONLY.

QUANTITY	PART NUMBER	DESCRIPTION	ITEM
MATERIALS LIST			
UNLESS OTHERWISE SPECIFIED 1) All dimensions are in metric(mm). 2) Tolerances are as follows: 1 PL DEC ±0.30 Fractions ±1/64 2 PL DEC ±0.15 Angles ±1° 3 PL DEC ±0.08 3) Note reference =		SIGNATURES DATE DRAWN: LUCAS.CHAI Aug-14-2023 CHECKED: ORION.LI Aug-16-2023 ENGINEER: APPROVAL: TOMMY.XIE Aug-18-2023 CUSTOMER:	<div style="text-align: center;">Amphenol</div> Sine Systems - www.amphenol-sine.com 44724 Morley Drive Clinton Township, MI 48036 <div style="text-align: center;">INSTALLATION FIXTURE FOR ATS04-26P</div>
MATERIAL SPECIFICATIONS: WEIGHT : 23.5g		THIS DRAWING IS SUPPLIED FOR INFORMATION ONLY. DESIGN FEATURES, SPECIFICATIONS AND PERFORMANCE DATA SHOWN HEREON ARE THE PROPERTY OF THE AMPHENOL CORPORATION. NO RIGHTS OF REPRODUCTION ARE IMPLIED. ALL DIMENSIONS ARE SUBJECT TO NORMAL MANUFACTURING VARIATIONS.	SIZE TYPE DWG NO. REVISION B C- FT-ATS26P A1
PROCESS SPECIFICATIONS: NEXT ASSY:		SCALE: NONE	SHEET 1 OF 1

TITLE: INSTALLATION FIXTURE FOR ATS04-26P
 DWG NO.: FT-ATS26P
 REV: A1
 SH: 1
 OF: 1