

2J4715B-915-TH19

915 MHz ISM Screw Mount

Key Features

915 MHz ISM
- 902-928 MHz
Low Profile
Screw Mount
Ground Plane Independent
Customizable Cable and Connector
Dimensions $\varnothing 52 \times 17.5$ mm
Certificates: IP69K



Note: 19mm Thread is Default Option. See Drawing for other Thread Options available.



1. Antenna and electrical specifications

Parameters	915 MHz ISM Antenna
Standards	ZigBee, ISM, SIGFOX, LoRa
Band (MHz)	915 MHz
Frequency (MHz)	902-928
Return Loss (dB)	~-16.0
VSWR	~1.4:1
Efficiency (%)	~37
Peak Gain (dBi)	~2.5
Average Gain (dB)	~-4.2
Impedance (Ohm)	50
Polarisation	Linear
Radiation Pattern	Omni-Directional
Max. Input Power (W)	25
Connector Type	SMA-Male Standard (Other Connectors Available)
Cable Length	300 cm Standard (Any Cable Length Available)
Cable Type	RG174 Standard (Other Cables Available)

Antenna Measurement Conditions:

Mounted on 30 x 30 x 0.25 cm Metal Plate

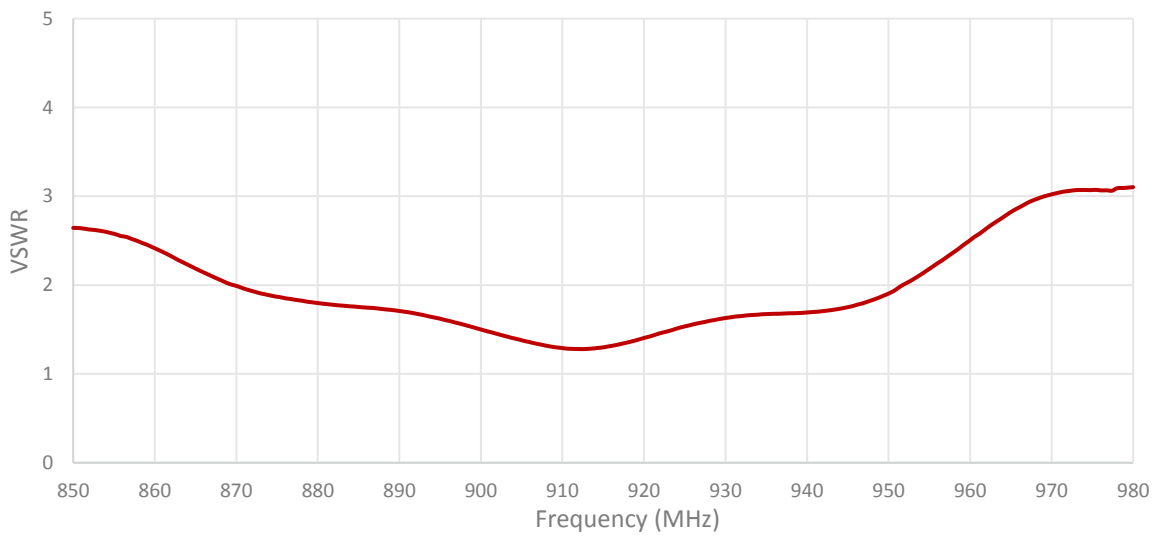
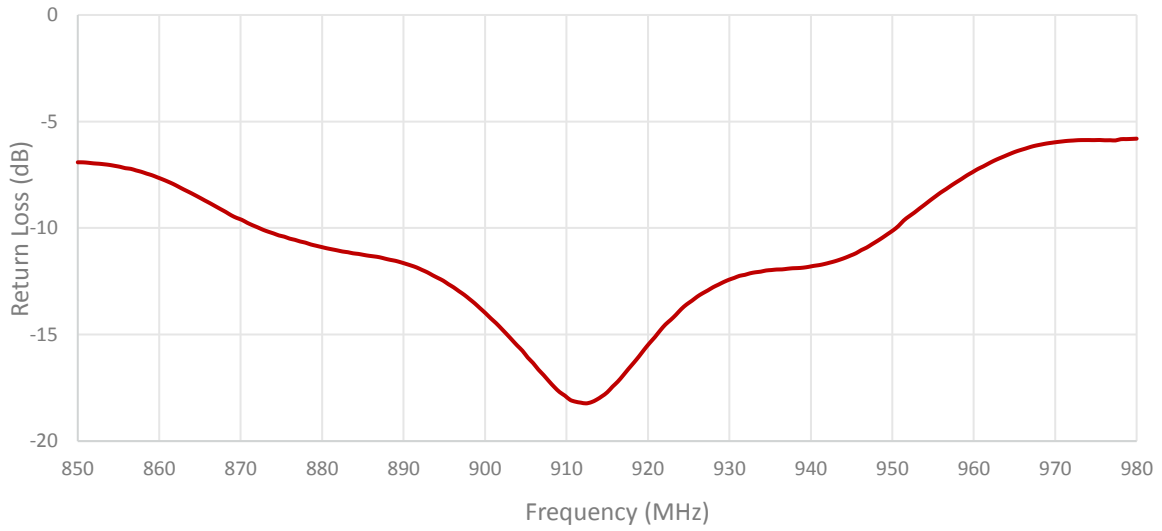
200 cm of RG174 Cable

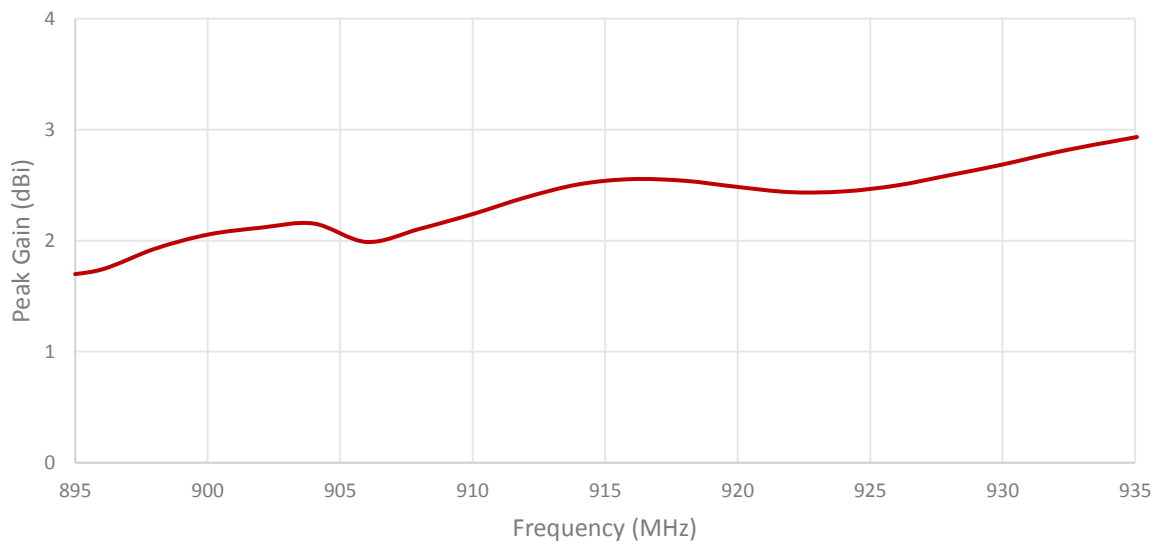
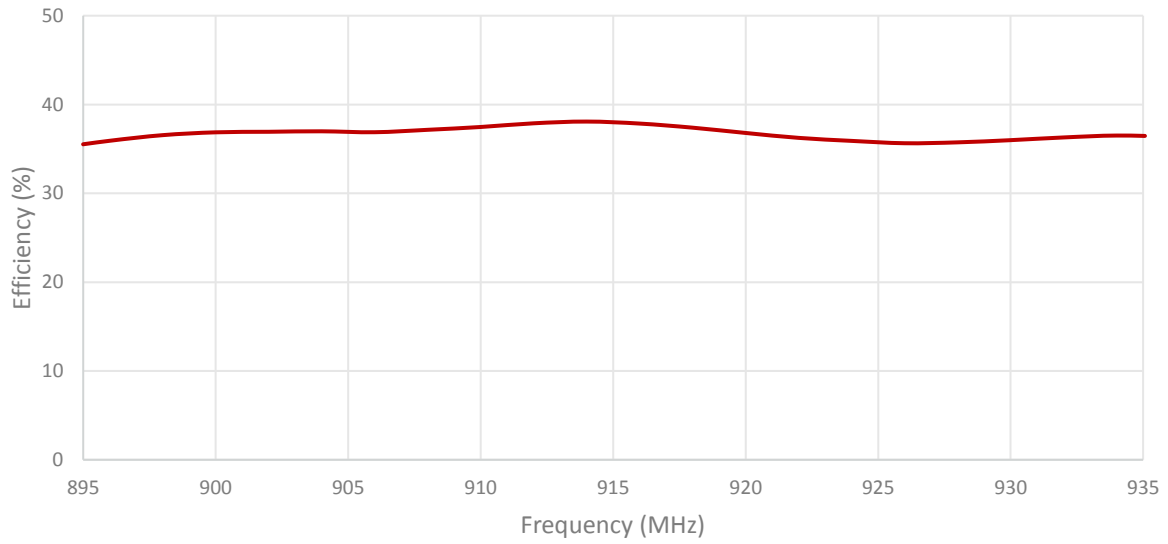
Measured in Certified CTIA 3D Anechoic Chamber

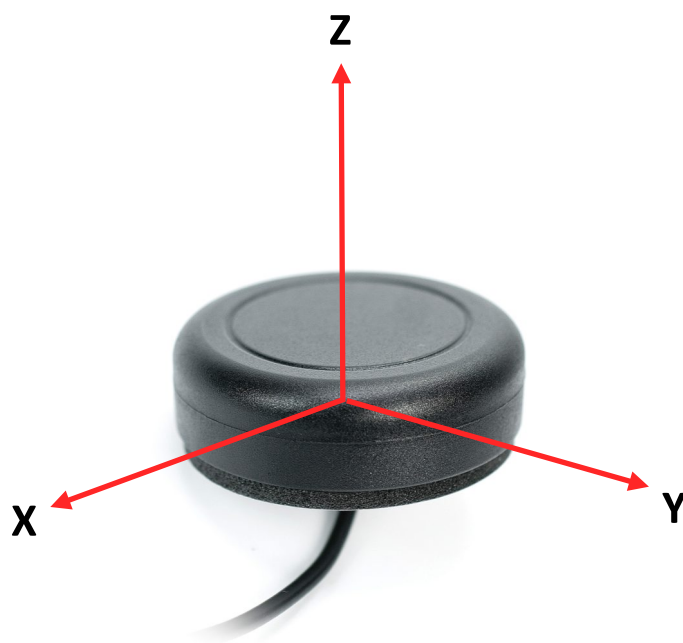
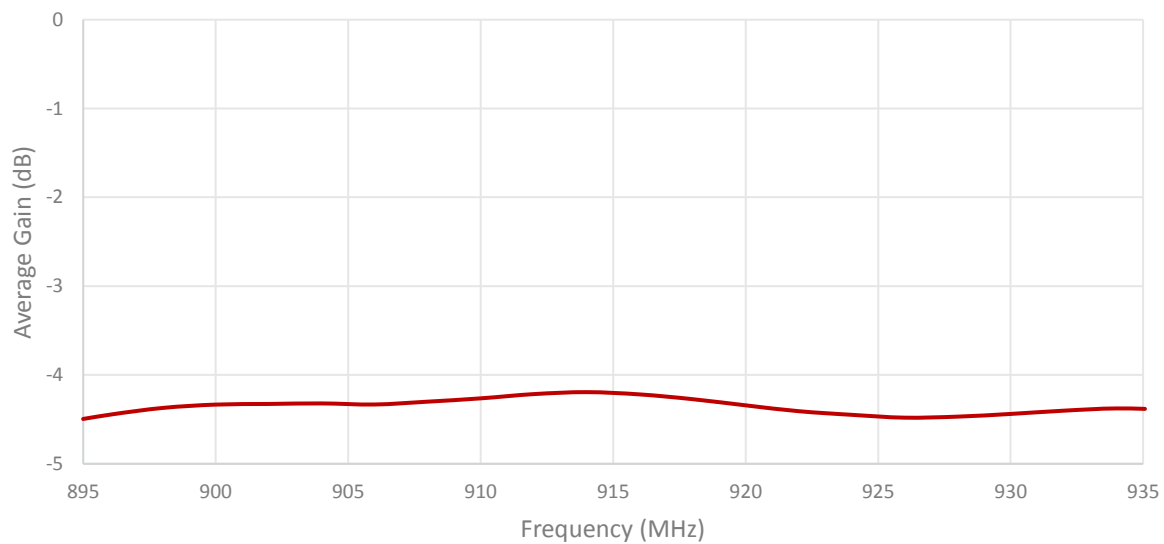
2. Mechanical and environmental specifications

Specifications	2J4715B-915-TH19
Mounting Type	Screw Mount
Dimensions (mm)	Ø 52 × 17.5
Max. Tighten Torque (Nm)	4 Nm
Random Type	ASA
Random Color	Black
Antenna Base	ASA
Operating Temperature (C)	-40 to +85
Storage Temperature (C)	-40 to +85
Certificates	IP69K
Substance Compliance	RoHS

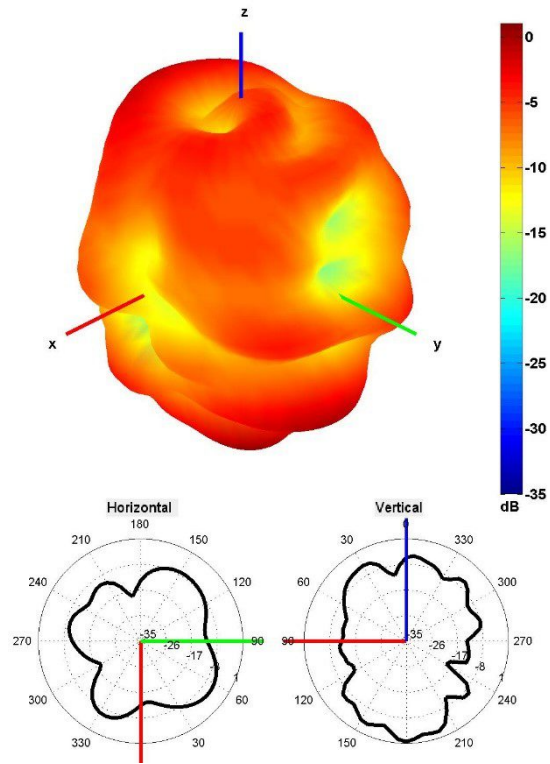
3. Antenna parameters







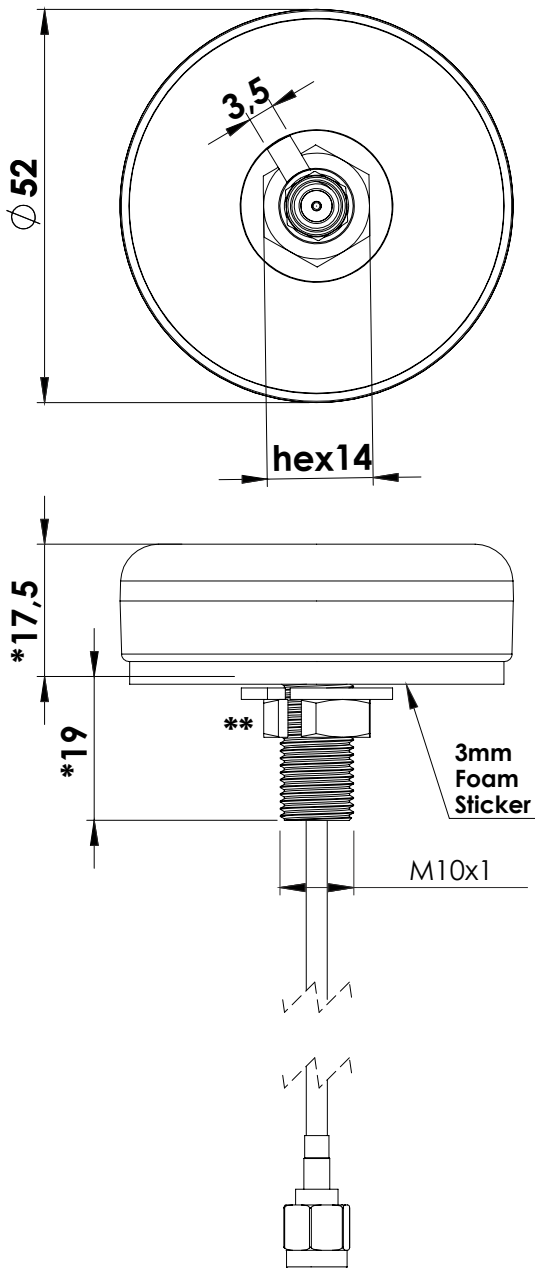
Radiation pattern reference



915 MHz Radiation pattern

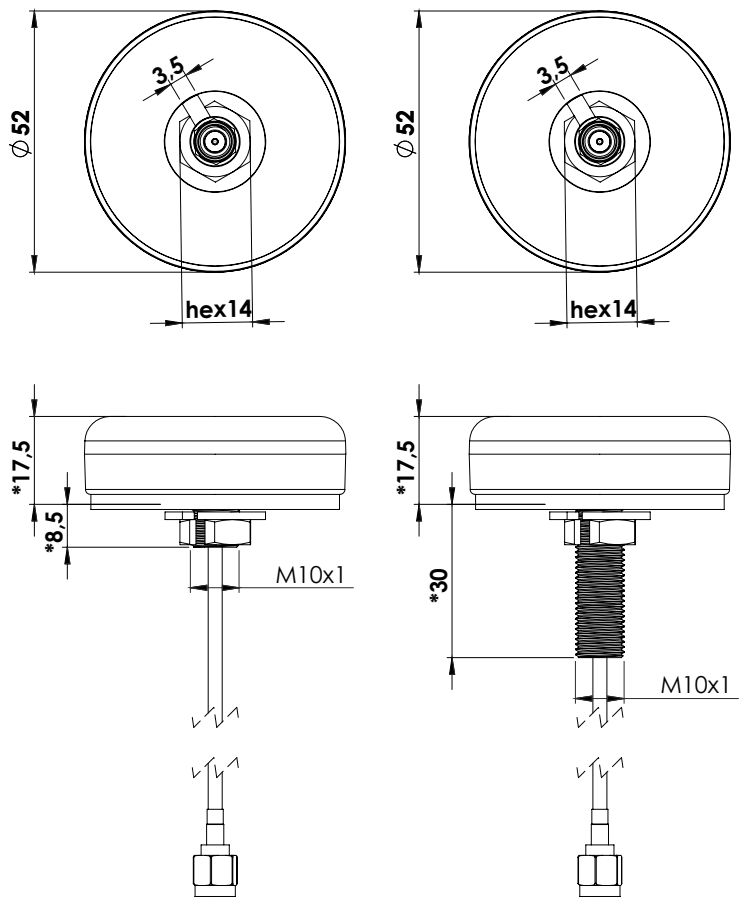
4. Antenna drawings

Default Thread Option



2J4715-915-TH19
19 mm Thread
Default Option

Other Thread Options available



2J4715-915-TH8,5
8,5 mm Thread

2J4715-915-TH30
30 mm Thread

***Dimensions after mounting**
****Max. Torque= 4 Nm**

5. Antenna Images

