

## 2J3915M-915

### 915 MHz ISM Magnetic Mount

#### Key Features

- 915 MHz ISM
- 902-928 MHz
- Magnetic Mount
- High Performance
- High Gain
- Ground Plane Dependent
- Customizable Cable and Connector
- Dimensions  $\varnothing$  30.9 x 88 mm



## 1. Antenna and electrical specifications

Parameters	915 MHz ISM Antenna
<b>Standards</b>	ZigBee, ISM, SIGFOX, LoRa
<b>Band (MHz)</b>	915 MHz
<b>Frequency (MHz)</b>	902-928
<b>Return Loss (dB)</b>	~-14.5
<b>VSWR</b>	~1.5:1
<b>Efficiency (%)</b>	~64.6
<b>Peak Gain (dBi)</b>	~3.0
<b>Average Gain (dB)</b>	~-1.9
<b>Impedance (Ohm)</b>	50
<b>Polarisation</b>	Linear
<b>Radiation Pattern</b>	Omni-Directional
<b>Max. Input Power (W)</b>	50
<b>Connector Type</b>	SMA-Male Standard (Other Connectors Available)
<b>Cable Length</b>	300 cm Standard (Any Cable Length Available)
<b>Cable Type</b>	LMR100 Standard (Other Cables Available)

### Antenna Measurement Conditions:

Mounted on 30 x 30 cm Metal Plate

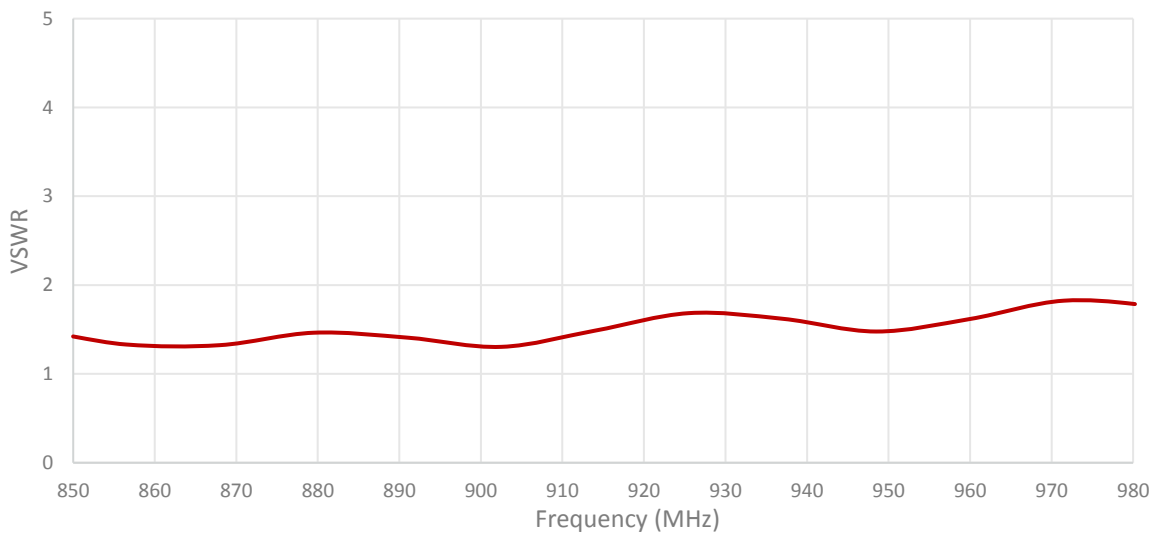
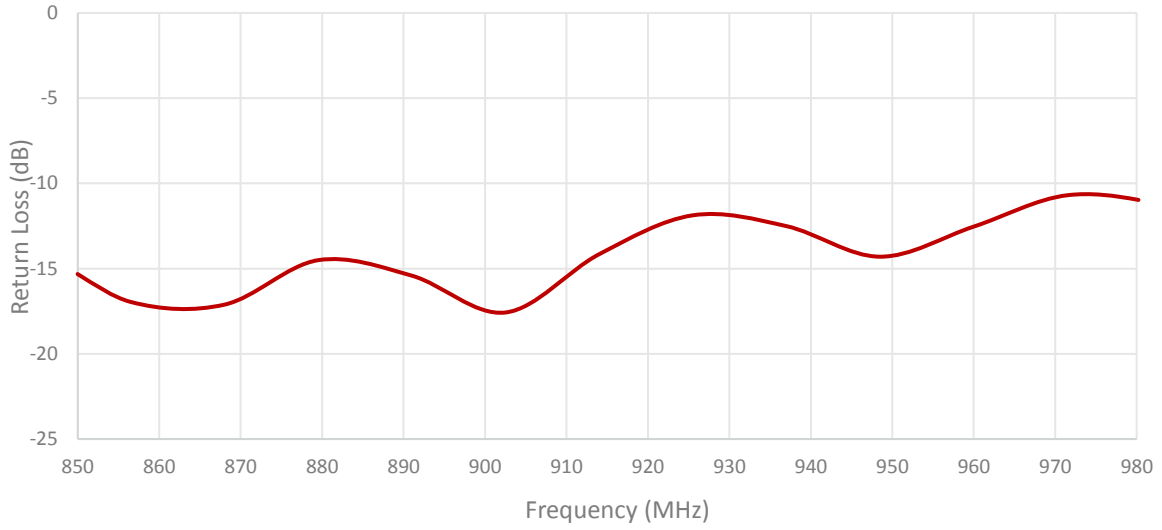
200 cm of Cable LMR100

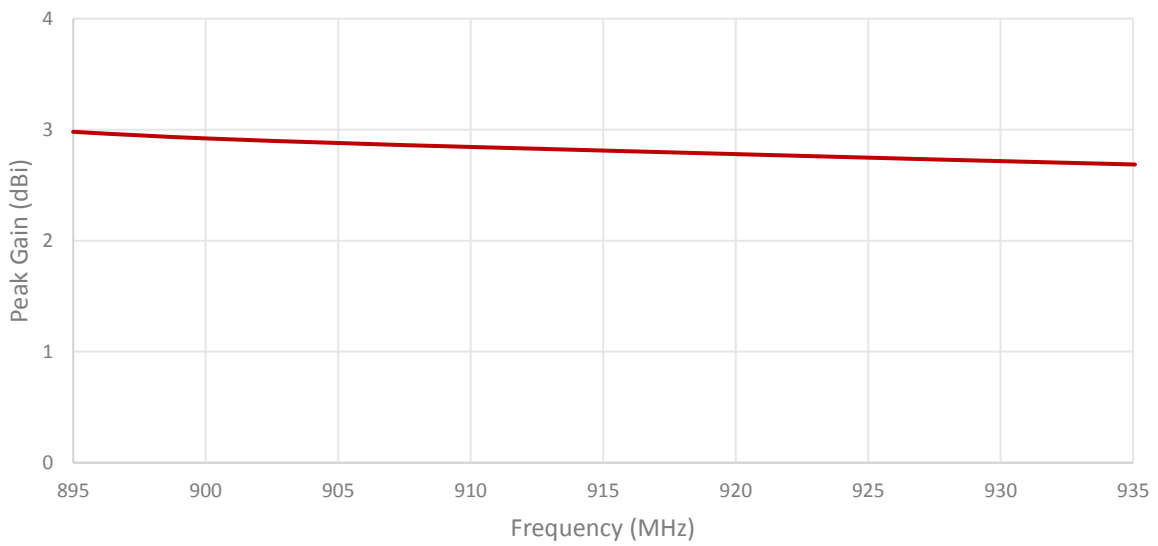
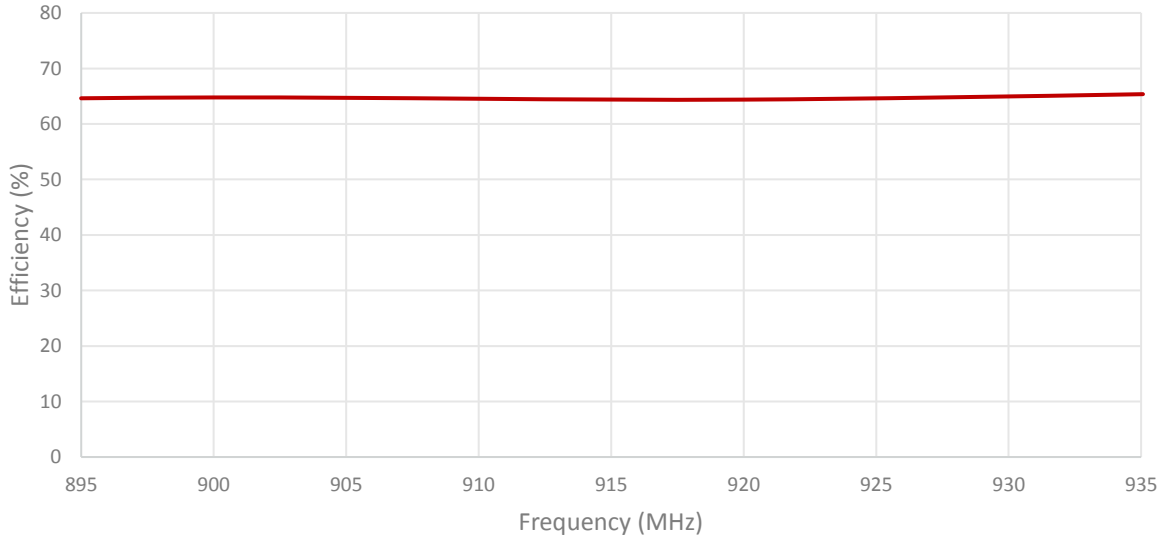
Measured in Certified CTIA 3D Anechoic Chamber

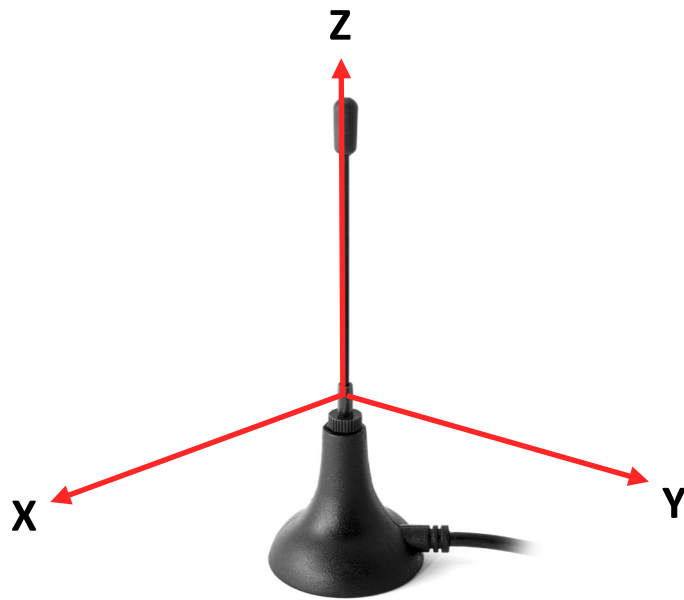
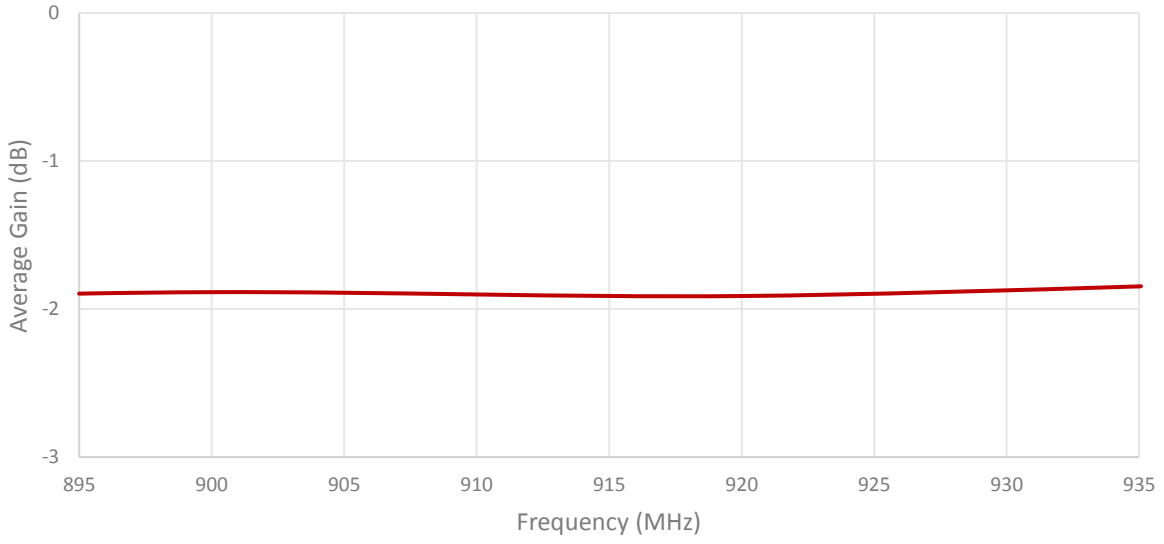
## 2. Mechanical and environmental specifications

Specifications	2J3915M-915
<b>Mounting Type</b>	Magnetic Mount
<b>Dimensions (mm)</b>	Ø 30.9 × 88
<b>Radome color</b>	Black
<b>Antenna Base</b>	PP
<b>Whip Material</b>	Brass
<b>Operating Temperature (C)</b>	-40 to +85
<b>Storage Temperature (C)</b>	-40 to +85
<b>Substance Compliance</b>	RoHS

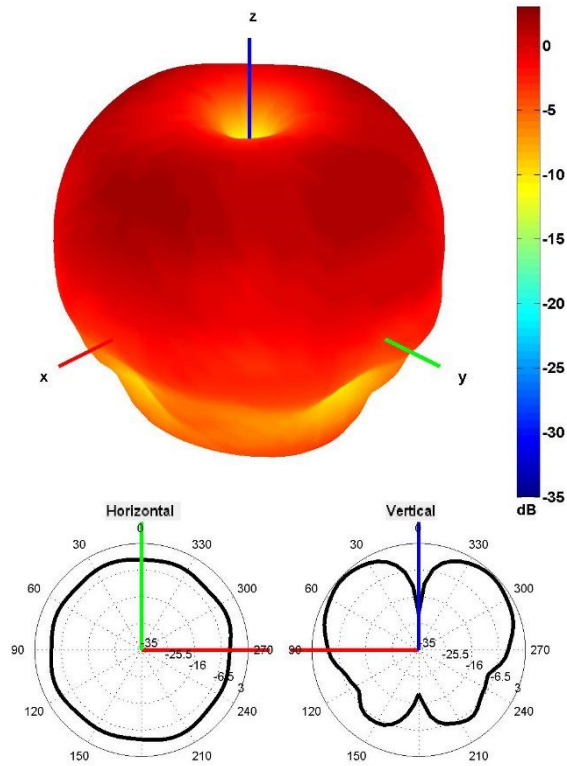
### 3. Antenna parameters





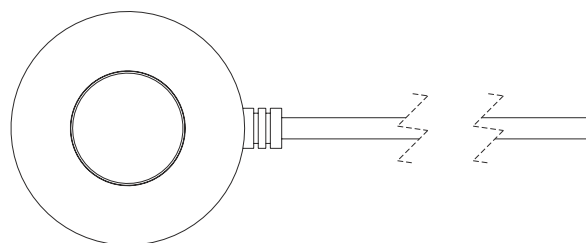
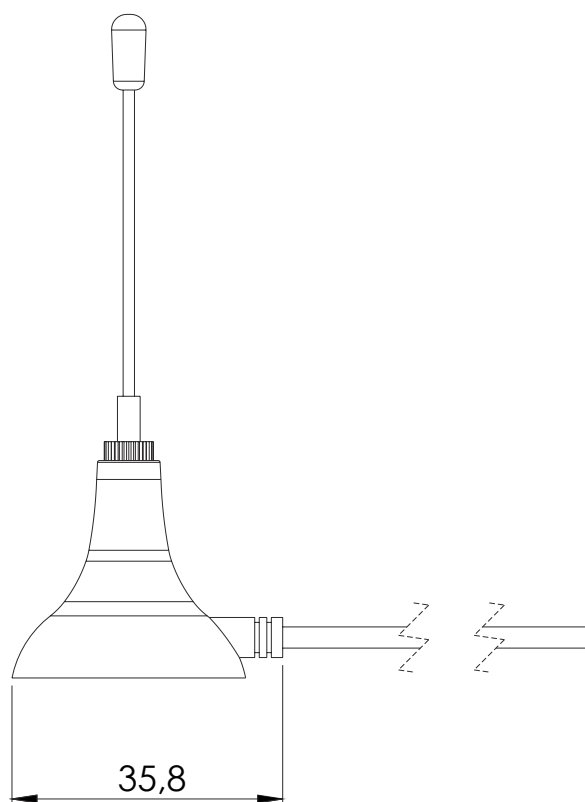
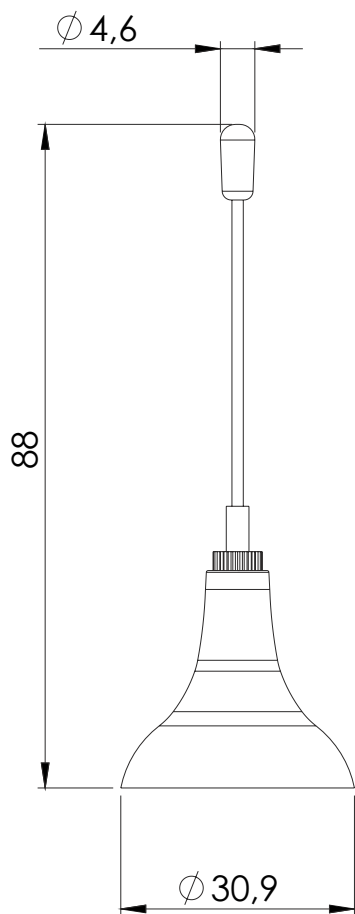


Radiation pattern reference



915 MHz Radiation pattern

## 4. Antenna drawings



## 5. Antenna Images

