

## Radius RA SMA Male to SMA Female Adapter with Gold Plated Stainless Steel Body

Radius RA SMA male to SMA female adapter part number FMAD1193 from Fairview Microwave is in-stock and ships same day. This Fairview SMA to SMA adapter has a male to female gender configuration and is built of durable stainless steel. FMAD1193 SMA male to SMA female adapter is gold plated and operates to 18 GHz. The Fairview Microwave RF adapter provides excellent VSWR of 1.2:1 maximum. The SMA connector mates mechanically with commercially available 3.5mm and 2.92mm (K) connectors. This radius right angle SMA adapter allows for easier connections in tight spaces.

RF adapters can be used to enable connections between two connector types that would otherwise not mate. Certain RF adapter configurations can also be used to protect connectors on expensive equipment where the number of connect and disconnect cycles is high. An RF, microwave, or millimeter wave adapter is connected to the equipment and the commonly changed connection is made with the adapter which can be easily replaced when it wears out after high usage; such adapters are referred to as connector savers. Fairview Microwave also offers bulkhead, panel mount, hermetically sealed, reverse polarity, and isolated ground adapter varieties to serve all of your RF, microwave and millimeter wave needs.

### Electrical Specifications

Description	Min	Typ	Max	Units
Frequency Range	DC		18	GHz
VSWR			1.2:1	

Electrical Specification Notes:  
Values at 25°C, sea level.

### Mechanical Specifications

<b>Size</b>	
Length	0.6 in [15.2 mm]
Width	0.3 in [7.62 mm]
Height	0.5 in [12.7 mm]

Description	Connector 1	Connector 2
Type	SMA Male	SMA Female
Polarity	Standard	Standard



### Configuration:

- SMA Male Connector 1
- SMA Female Connector 2
- 50 Ohm
- Radius Right Angle Body Geometry

### Features:

- VSWR of 1.2:1 max up to 18 GHz
- 30 µin contact plating
- Gold Plated Beryllium Copper Contact

### Applications:

- General Purpose Test

Fairview Microwave  
301 Leora Ln., Suite 100  
Lewisville, TX 75056  
Tel: 1-800-715-4396 / (972) 649-6678  
Fax: (972) 649-6689  
[www.fairviewmicrowave.com](http://www.fairviewmicrowave.com)  
[sales@fairviewmicrowave.com](mailto:sales@fairviewmicrowave.com)

### Material Specifications

Description	Connector 1	Connector 2
Type	SMA Male	SMA Female
Contact Material	Beryllium Copper	Beryllium Copper
Contact Plating	Gold	Gold
Contact Plating Spec.	30 µin	30 µin
Insulation Material	PTFE	PTFE
Outer Contact Material		Stainless Steel
Outer Contact Plating		Gold
Outer Conductor Contact Spec.		3 µin
Body Material	Stainless Steel	Stainless Steel
Body Plating	Gold	Gold
Body Plating Spec.	3 µin	30 µin
Gasket Material	Silicone Rubber	Silicone Rubber
Coupling Nut Material	Stainless Steel	
Coupling Nut Plating	Gold	
Coupling Nut Plating Spec.	3 µin	

### Environmental Specifications

#### Temperature

Operating Range

-55 to +125 deg C

**Compliance Certifications** (see [product page](#) for current document)

### Plotted and Other Data

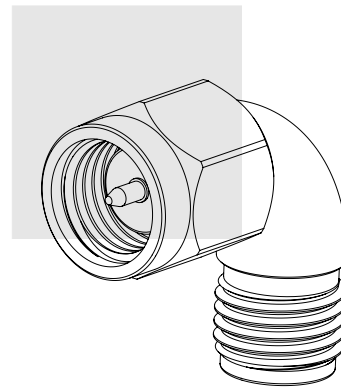
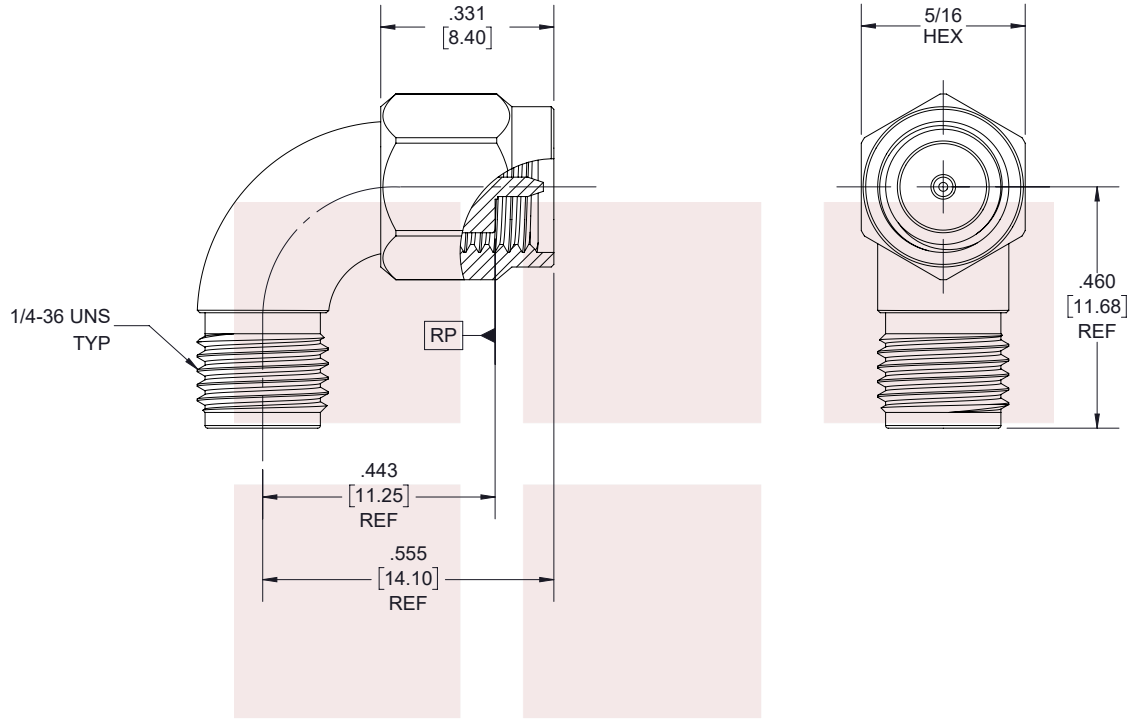
Notes:

Radius RA SMA Male to SMA Female Adapter with Gold Plated Stainless Steel Body from Fairview Microwave is in-stock and available to ship same-day. All of our RF/microwave products are available off-the-shelf from our ISO 9001:2008 certified facilities in Lewisville, Texas. Fairview Microwave is RF on-demand.

For additional information on this product, please click the following link: [Radius RA SMA Male to SMA Female Adapter with Gold Plated Stainless Steel Body FMAD1193](#)

URL: <https://www.fairviewmicrowave.com/radius-ra-sma-male-sma-female-adapter-fmad1193-p.aspx>

The information contained in this document is accurate to the best of our knowledge and representative of the part described herein. It may be necessary to make modifications to the part and/or the documentation of the part, in order to implement improvements. Fairview Microwave reserves the right to make such changes as required. Unless otherwise stated, all specifications are nominal. Fairview Microwave does not make any representation or warranty regarding the suitability of the part described herein for any particular purpose, and Fairview Microwave does not assume any liability arising out of the use of any part or documentation.



**STANDARD TOLERANCES**

- .X ±0.2
- .XX ±0.01
- .XXX ±0.005

\*STANDARD TOLERANCES APPLY ONLY TO DIMENSIONS IN INCHES

<p><b>Fairview Microwave</b> RF COMPONENTS ON DEMAND. <i>Done!</i></p>		<p>NOTES: 1. UNLESS OTHERWISE SPECIFIED ALL DIMENSIONS ARE NOMINAL. 2. ALL SPECIFICATIONS ARE SUBJECT TO CHANGE WITHOUT NOTICE AT ANY TIME. 3. DIMENSIONS ARE IN INCHES [mm].</p>						
<p>TITLE Radius RA SMA Male to SMA Female Adapter with Gold Plated Stainless Steel Body</p>		<p>DWG NO FMAD1193</p>			<p>CAGE CODE 3FKR5</p>			
CAD FILE	04/04/19	SHEET	1 OF 1	SCALE	N/A	SIZE	A	7361