



# **32Mb SPI MRAM M-die**

**Single/Dual/Quad IO SPI MRAM**

**3.3V/1.8V**

- **S3A3204V0M**
- **S3A3204R0M**

## **Datasheet**

**NETSOL RESERVES THE RIGHT TO CHANGE PRODUCTS, INFORMATION AND SPECIFICATIONS WITHOUT NOTICE.**

Products and specifications discussed herein are for reference purposes only.  
All information discussed herein is provided on an "AS IS" basis, without warranties of any kind.

This document and all information discussed herein remain the sole and exclusive property of NETSOL.  
No license of any patent, copyright, mask work, trademark or any other intellectual property right is granted by one party to the other party under this document, by implication, estoppel or otherwise.

For updates or additional information about Netsol products, please contact to [netsol@netsol.co.kr](mailto:netsol@netsol.co.kr)

## Feature

- Supports Serial Peripheral Interface with Mode 0 and Mode 3
  - Single SPI (1-1-1, 1-1-2, 1-2-2, 1-1-4, 1-4-4)
  - Dual SPI (2-2-2)
  - Quad SPI (4-4-4)
- Operating Frequency
  - Single Data Rates (SDR) : 108MHz
  - Double Data Rates (DDR) : 54MHz
- Supports XIP for read and write operations
- Fast write time and single byte writable
- Data protection
  - $\overline{WP}$  pin write protection
  - Block lock protection
- Nonvolatile status and configuration registers
- Identification
  - 64-bit unique ID
  - 64-bit serial number - user writable
- Augmented 512-byte nonvolatile-area
  - Read and write with user-protection
- Deep power down for low-power
- Supports JEDEC reset
- Memory cell : STT-MRAM
- Density
  - 32Mb
- Data Integrity : No external ECC required
- Data Endurance
  - Unlimited read cycle
  - $10^{14}$  write cycles
- Data Retention
  - 10 years at 85°C
- Single Power Supply Operation
  - S3Axx04V0M: 2.70V~3.60V
  - S3Axx04R0M: 1.71V~1.98V
- Operating Temperature Range
  - Commercial Temperature : 0°C to 70°C
  - Industrial Temperature : -40°C to 85°C
- RoHS compliant packages
  - 8pad WSON (5.0mm x 6.0mm)
  - 8pin SOIC (150mil)

## Performance

| Operation                                | Typical Values   |                  | Units |
|--|------------------|------------------|-------|
|  | 1.8V(S3A3204R0M) | 3.3V(S3A3204V0M) |       |
| Frequency(SDR)                           | 108 (Max.)       |                  | MHz   |
| Frequency(DDR)                           | 54 (Max.)        |                  | MHz   |
| Standby Current                          | 560              | 660              | μA    |
| Deep Power Down Current                  | 60               | 170              | μA    |
| Active Read Current (4-4-4) SDR @108MHz  | 9                | 12               | mA    |
| Active Write Current (4-4-4) SDR @108MHz | 25               | 28               | mA    |

## Table of contents

|   |           |
|---|-----------|
| <b>Feature</b> .....  | <b>2</b>  |
| <b>Performance</b> .....  | <b>2</b>  |
| <b>Table of contents</b> .....  | <b>3</b>  |
| <b>General Description</b> .....  | <b>7</b>  |
| Figure 1 : Functional Block Diagram .....   | 7         |
| <b>Package Pin Configuration</b> .....  | <b>8</b>  |
| Figure 2 : Pinout .....   | 8         |
| <b>Pin Description</b> .....  | <b>8</b>  |
| Table 1 : Pin Description .....   | 8         |
| <b>Power On/Off Sequence : 3.3V Device</b> .....                                      | <b>9</b>  |
| Figure 3 : Power-up/down Behavior : 3.3V Device .....                                 | 9         |
| Table 2 : Power Up/Down Timing – 3.3V Device .....                                    | 9         |
| <b>Power On/Off Sequence : 1.8V Device</b> .....                                      | <b>10</b> |
| Figure 4 : Power-up/down Behavior : 1.8V Device .....                                 | 10        |
| Table 3 : Power Up/Down Timing – 1.8V Device .....                                    | 10        |
| <b>Memory Organization</b> .....  | <b>11</b> |
| <b>MEMORY MAP</b> .....   | <b>11</b> |
| Table 4 : Memory Map .....  | 11        |
| <b>AUGMENTED 512-BYTE AREA MAP</b> .....  | <b>11</b> |
| Table 5 : Augmented 512-Byte Area Map .....   | 11        |
| <b>REGISTER ADDRESS MAP</b> .....   | <b>11</b> |
| Table 6 : Register Address .....  | 11        |
| <b>Instruction Command Set</b> .....  | <b>12</b> |
| Table 7 : Control Instruction Set .....   | 12        |
| Table 8 : Read Register Instruction Set .....   | 12        |
| Table 9 : Write Register Instruction Set .....  | 13        |
| Table 10 : Read Memory Array Instruction Set .....                                    | 13        |
| Table 11 : Write Memory Array Instruction Set .....                                   | 14        |
| Table 12 : Augmented 512-Byte Area Instruction Set .....                              | 14        |
| <b>Register Description</b> .....   | <b>15</b> |
| <b>STATUS REGISTER / DEVICE PROTECTION REGISTER</b> .....                             | <b>15</b> |
| Table 13 : Status Register-Data Protection .....                                      | 15        |
| <b>WRITE PROTECTION MODES</b> .....   | <b>15</b> |
| Table 14 : Write Protection Modes .....   | 16        |
| <b>BLOCK PROTECTION MODES</b> .....   | <b>16</b> |
| Table 15 : Block Protection Address Range Selection .....                             | 16        |
| <b>AUGMENTED 512-BYTE AREA PROTECTION</b> .....                                       | <b>17</b> |
| Table 16 : Augmented 512-Byte Area Protection Register – Read and Write .....         | 17        |
| <b>CONFIGURATION REGISTER 1 (READ/WRITE)</b> .....                                    | <b>17</b> |
| Table 17 : Configuration Register 1 – Read and Write .....                            | 17        |
| <b>CONFIGURATION REGISTER 2 (READ/WRITE)</b> .....                                    | <b>18</b> |
| Table 18 : Configuration Register 2 – Read and Write .....                            | 18        |
| Table 19 : Read Latency Cycles vs. Maximum Frequency (Memory Area) .....              | 19        |
| Table 20 : Read Latency Cycles vs. Maximum Frequency (Augmented 512-Byte Area) .....  | 19        |
| Table 21 : Latency Cycles vs. Maximum Frequency (Read Any Register Instruction) ..... | 19        |
| <b>CONFIGURATION REGISTER 3 (READ/WRITE)</b> .....                                    | <b>20</b> |
| Table 22 : Configuration Register 3 – Read and Write .....                            | 20        |
| <b>CONFIGURATION REGISTER 4 (READ/WRITE)</b> .....                                    | <b>21</b> |
| Table 23 : Configuration Register 4 – Read and Write .....                            | 21        |
| <b>DEVICE IDENTIFICATION REGISTER (READ ONLY)</b> .....                               | <b>22</b> |

|  |           |
|--|-----------|
| Table 24 : Device Identification Register – Read Only .....                  | 22        |
| <b>SERIAL NUMBER REGISTER (READ/WRITE) .....</b>                             | <b>22</b> |
| Table 25 : Serial Number Register – Read and Write.....                      | 22        |
| <b>UNIQUE IDENTIFICATION REGISTER (READ ONLY) .....</b>                      | <b>22</b> |
| Table 26 : Unique ID Register – Read Only .....                              | 22        |
| <b>Device Operation .....</b>  | <b>23</b> |
| <b>GENERAL OPERATION .....</b>   | <b>23</b> |
| <b>SPI CLOCK MODES .....</b>   | <b>23</b> |
| Figure 5 : SPI Clock Modes .....   | 23        |
| <b>SPI INTERFACE MODES.....</b>  | <b>24</b> |
| Table 27 : Pin Assignment / Interface Modes .....                            | 24        |
| <b>MSB/LSB LOCATION IN DATA BITS .....</b>                                   | <b>25</b> |
| Figure 6 : Location of MSB and LSB.....                                      | 25        |
| Figure 7 : MSB and LSB in DSPI and QSPI.....                                 | 25        |
| <b>DATA RATE (SDR/DDR) .....</b>   | <b>26</b> |
| Figure 8 : Description of SDR Instruction Type.....                          | 26        |
| Figure 9 : Description of DDR Instruction Type .....                         | 26        |
| <b>INSTRUCTION STRUCTURE .....</b>   | <b>27</b> |
| Figure 10 : Description of command followed by Address (SSIP mode) .....     | 27        |
| <b>READ OPERATION .....</b>  | <b>27</b> |
| Figure 11 : Description of Read Operation (SSIP mode).....                   | 27        |
| <b>WRITE OPERATION .....</b>   | <b>28</b> |
| Figure12 : Description of Write Operation (SSPI mode).....                   | 28        |
| <b>XIP (EXECUTE IN PLACE) OPERATION .....</b>                                | <b>28</b> |
| Figure 13 : Description of Read Operation with XIP (SSIP mode).....          | 28        |
| <b>CONTINUING READ/WRITE .....</b>   | <b>29</b> |
| Figure 14 : Description of Continuing Read Operation (SSIP mode).....        | 29        |
| Figure 15 : Description of Continuing Write Operation (SSIP mode).....       | 29        |
| <b>DEEP POWER DOWN MODES.....</b>  | <b>30</b> |
| Figure 16 : Entering Deep Power Down Mode (SSIP mode) .....                  | 30        |
| Figure 17 : Exit Deep Power Down Mode by CS.....                             | 30        |
| Figure 18 : Exit Deep Power Down Mode by SPI Command .....                   | 31        |
| <b>SOFTWARE RESET.....</b>   | <b>31</b> |
| Figure 19 : Software Reset Timing.....                                       | 31        |
| <b>JEDEC RESET.....</b>  | <b>32</b> |
| Figure 20 : JEDEC Reset Operation Timing .....                               | 32        |
| Table 28 : JEDEC Reset Operation & Timing : 3.3V Device.....                 | 32        |
| Table 29 : JEDEC Reset Operation & Timing : 1.8V Device.....                 | 32        |
| <b>Electrical Specifications .....</b>                                       | <b>33</b> |
| <b>ABSOLUTE MAXIMUM RATINGS .....</b>  | <b>33</b> |
| Table 30 : Absolute Maximum Ratings.....                                     | 33        |
| <b>ENDURANCE, RETENTION AND MAGNETIC IMMUNITY.....</b>                       | <b>33</b> |
| Table 31 : Endurance, Retention and Magnetic Immunity .....                  | 33        |
| <b>RECOMMENDED OPERATING CONDITIONS.....</b>                                 | <b>34</b> |
| Table 32 : Recommended Operating Conditions .....                            | 34        |
| <b>PIN CAPACITANCE .....</b>   | <b>34</b> |
| Table 33 : Pin Capacitance.....  | 34        |
| <b>AC TEST CONDITION .....</b>   | <b>34</b> |
| Table 34 : AC Test Conditions .....  | 34        |
| <b>DC CHARACTERISTICS.....</b>   | <b>35</b> |
| Table 35 : DC Characteristics : 3.3V Device .....                            | 35        |
| <b>DC CHARACTERISTICS.....</b>   | <b>36</b> |
| Table 36 : DC Characteristics : 1.8V Device .....                            | 36        |
| <b>AC TIMING CHARACTERISTICS.....</b>  | <b>37</b> |
| Figure 21 : Synchronous Input Timing (SDR/DDR).....                          | 37        |
| Figure 22 : Synchronous Data Output Timing (SDR/DDR) .....                   | 37        |
| Figure 23 : WP Operation Timing .....  | 37        |
| Figure 24 : CS High Timing .....   | 38        |
| Table 37 : CS High Time after Write Instruction : SDR=108MHz/DDR=54MHz ..... | 38        |

|  |           |
|--|-----------|
| Table 38 : CS High Time after Write Instruction : SDR=54MHz/DDR=27MHz .....            | 38        |
| Table 39 : CS High Time after Register/Augmented 512-Byte Area Write Instruction ..... | 38        |
| <b>AC TIMING PARAMETERS.....</b>   | <b>39</b> |
| Table 40 : AC Timing Parameter .....   | 39        |
| <b>Thermal Resistance .....</b>  | <b>40</b> |
| Table 41 : Thermal Resistance .....  | 40        |
| <b>Timing Description of Instruction Sets.....</b>                                     | <b>41</b> |
| Figure 25 : Timing Description of 1-0-0 Instruction Type .....                         | 41        |
| Figure 26 : Timing Description of 1-0-1 Instruction Type (Read).....                   | 41        |
| Figure 27 : Timing Description of 1-0-1 Instruction Type (Write) .....                 | 41        |
| Figure 28 : Timing Description of 1-1-1 Instruction Type (Read without XIP) .....      | 42        |
| Figure 29 : Timing Description of 1-1-1 Instruction Type (Write) .....                 | 42        |
| Figure 30 : Timing Description of 1-1-1 Augmented 512-byte Area (Read).....            | 43        |
| Figure 31 : Timing Description of 1-1-1 Augmented 512-byte Area (Write) .....          | 43        |
| Figure 32 : Timing Description of 1-1-1 Any Register Instruction Type (Read).....      | 44        |
| Figure 33 : Timing Description of 1-1-1 Any Register Instruction Type (Write) .....    | 44        |
| Figure 34 : Timing Description of 1-1-1 Instruction Type (Read with XIP) .....         | 45        |
| Figure 35 : Timing Description of 1-1-1 Instruction Type (Write with XIP).....         | 45        |
| Figure 36 : Timing Description of 1-1-2 Instruction Type (Read with XIP) .....         | 46        |
| Figure 37 : Timing Description of 1-1-2 Instruction Type (Write with XIP).....         | 46        |
| Figure 38 : Timing Description of 1-2-2 Instruction Type (Read with XIP) .....         | 47        |
| Figure 39 : Timing Description of 1-2-2 Instruction Type (Write with XIP).....         | 47        |
| Figure 40 : Timing Description of 1-1-4 Instruction Type (Read with XIP) .....         | 48        |
| Figure 41 : Timing Description of 1-1-4 Instruction Type (Write with XIP).....         | 48        |
| Figure 42 : Timing Description of 1-4-4 Instruction Type (Read with XIP) .....         | 49        |
| Figure 43 : Timing Description of 1-4-4 Instruction Type (Write with XIP).....         | 49        |
| Figure 44 : Timing Description of 1-1-1 DDR Instruction Type (Read with XIP) .....     | 50        |
| Figure 45 : Timing Description of 1-1-1 DDR Instruction Type (Write with XIP).....     | 50        |
| Figure 46 : Timing Description of 1-1-2 DDR Instruction Type (Read with XIP) .....     | 51        |
| Figure 47 : Timing Description of 1-1-2 DDR Instruction Type (Write with XIP).....     | 51        |
| Figure 48 : Timing Description of 1-2-2 DDR Instruction Type (Read with XIP) .....     | 52        |
| Figure 49 : Timing Description of 1-2-2 DDR Instruction Type (Write with XIP).....     | 52        |
| Figure 50 : Timing Description of 1-1-4 DDR Instruction Type (Read with XIP) .....     | 53        |
| Figure 51 : Timing Description of 1-1-4 DDR Instruction Type (Write with XIP).....     | 53        |
| Figure 52 : Timing Description of 1-4-4 DDR Instruction Type (Read with XIP) .....     | 54        |
| Figure 53 : Timing Description of 1-4-4 DDR Instruction Type (Write with XIP).....     | 54        |
| Figure 54 : Timing Description of 2-0-0 Instruction Type .....                         | 55        |
| Figure 55 : Timing Description of 2-0-2 Instruction Type (Read).....                   | 55        |
| Figure 56 : Timing Description of 2-0-2 Instruction Type (Write) .....                 | 55        |
| Figure 57 : Timing Description of 2-2-2 Any Register Instruction Type (Read).....      | 56        |
| Figure 58 : Timing Description of 2-2-2 Any Register Instruction Type (Write) .....    | 56        |
| Figure 59 : Timing Description of 2-2-2 Instruction Type (Read with XIP) .....         | 57        |
| Figure 60 : Timing Description of 2-2-2 Instruction Type (Write with XIP).....         | 57        |
| Figure 61 : Timing Description of 2-2-2 DDR Instruction Type (Read with XIP) .....     | 58        |
| Figure 62 : Timing Description of 2-2-2 DDR Instruction Type (Write with XIP).....     | 58        |
| Figure 63 : Timing Description of 4-0-0 Instruction Type .....                         | 59        |
| Figure 64 : Timing Description of 4-0-4 Instruction Type (Read) .....                  | 59        |
| Figure 65 : Timing Description of 4-0-4 Instruction Type (Write) .....                 | 60        |
| Figure 66 : Timing Description of 4-4-4 Any Register Instruction Type (Read).....      | 61        |
| Figure 67 : Timing Description of 4-4-4 Any Register Instruction Type (Write) .....    | 61        |
| Figure 68 : Timing Description of 4-4-4 Instruction Type (Read with XIP) .....         | 62        |
| Figure 69 : Timing Description of 4-4-4 Instruction Type (Write with XIP).....         | 62        |
| Figure 70 : Timing Description of 4-4-4 DDR Instruction Type (Read with XIP) .....     | 63        |
| Figure 71 : Timing Description of 4-4-4 DDR Instruction Type (Write with XIP).....     | 63        |
| <b>Part Numbering System.....</b>  | <b>64</b> |
| <b>Ordering Part Numbers.....</b>  | <b>65</b> |
| Table 42 : Ordering Part Numbers – 3.3V Device .....                                   | 65        |
| Table 43 : Ordering Part Numbers – 1.8V : Device .....                                 | 65        |



---

|                                   |           |
|-----------------------------------|-----------|
| <b>Package Dimension</b> .....    | <b>66</b> |
| <b>8-CONTACT WSON 6x5MM</b> ..... | <b>66</b> |
| <b>8-PIN SOIC – 150MIL</b> .....  | <b>67</b> |
| <b>Revision History</b> .....     | <b>68</b> |

## General Description

The device is a Spin-Transfer-Torque Magneto-resistive Random Access Memory (STT-MRAM). It features a SPI bus interface, XIP(execute-in-place) functionality and hardware/software based data protection mechanisms. SPI (Serial Peripheral Interface) is a synchronous serial communication interface with command, address and data signals.

It requires less pin counts than parallel interface and is easy to be configured on the system. The device can replace Flash, FeRAM or (nv)SRAM with same functionality and non-volatility.

The device provides various SPI modes to allow options for bandwidth expansion.

SSPI (Single SPI) modes has single(1) pin for command signals.

And user can select an option for how many pin to be allocated to address and data signals among 1 pin, 2 pins or 4 pins.

DSPI (Dual SPI) modes provides dual(2) pins for command, address and data signals.

QSPI (Quad SPI) modes provides quad(4) pins for command, address and data signals.

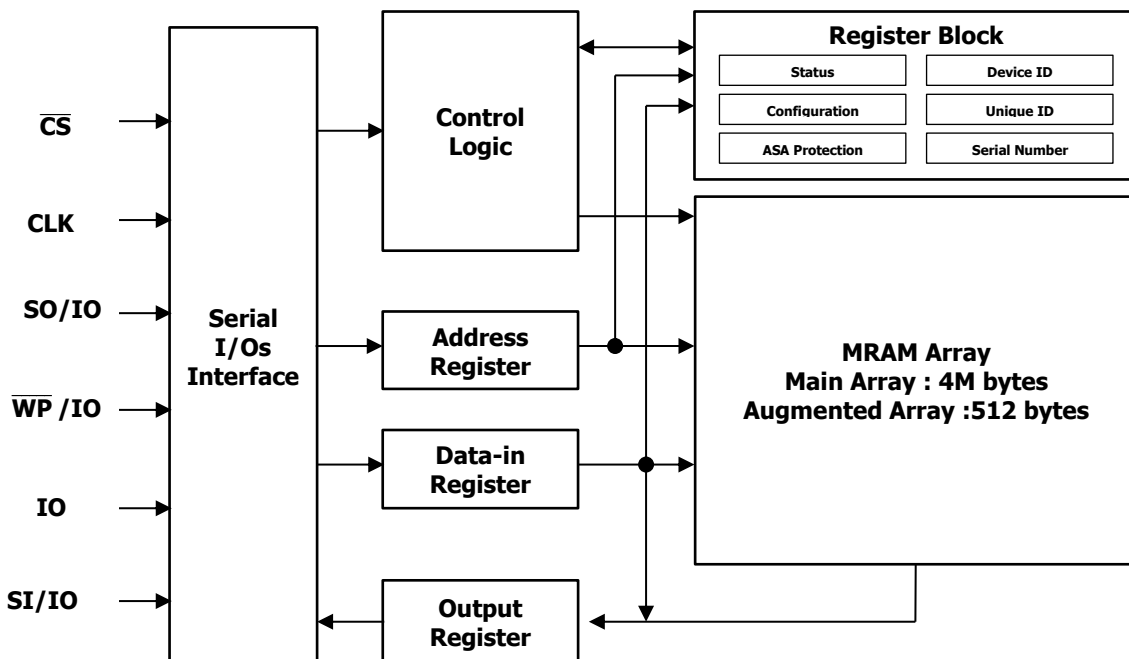
The device has nonvolatile register bits – status register, configuration register, serial number register, augmented 512 bytes and protection register for augmented bytes. These register bits are required to be set at least once on power-up after high temperature solder reflow process.

The device is available in small footprint 8-pad WSON and 8-pin SOIC packages.

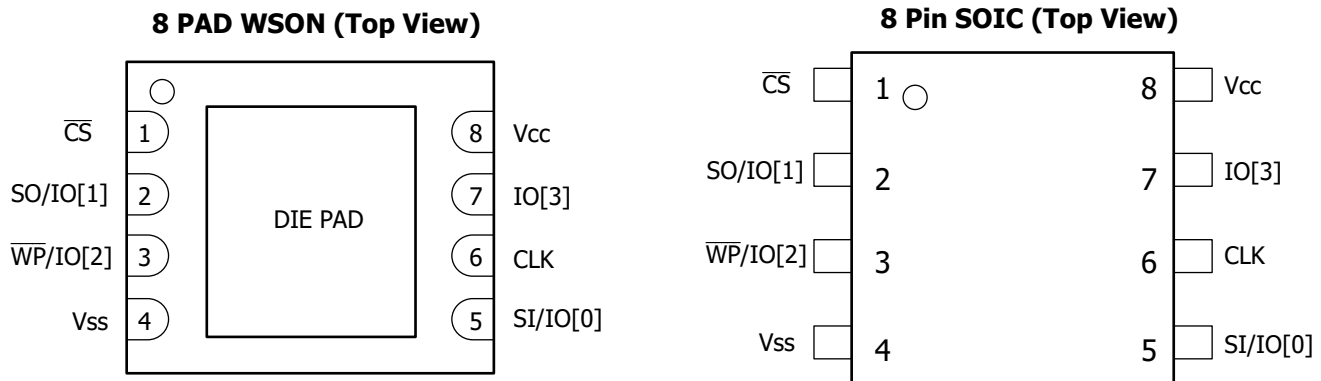
These packages are compatible with similar low-power volatile and non-volatile products.

The device is offered with Commercial (0°C to 70°C) and industrial (-40°C to 85°C) operating temperature range.

**Figure 1 : Functional Block Diagram**



## Package Pin Configuration

**Figure 2 : Pinout**


## Pin Description

**Table 1 : Pin Description**

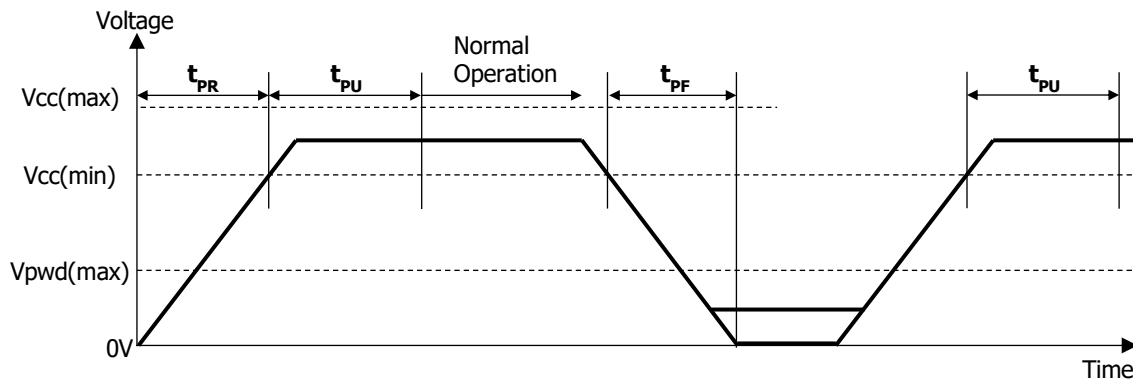
| Pin                   | Type                  | Description   |
|-----------------------|-----------------------|---|
| $\overline{CS}$       | Input                 | <b>Chip Select:</b> When $\overline{CS}$ is driven Low, read or write operation are initiated. When $\overline{CS}$ is driven High, the device enters standby mode, and all other input pins are ignored and the output pins are tri-stated. $\overline{CS}$ should be High at power-up to prevent abnormal write operation. This pin does not have internal pullup resistor.   |
| CLK                   | Input                 | <b>Clock:</b> In SDR(single data rate) mode, command, address and data inputs are latched on the rising edge of the clock. Data is output on the falling edge of the clock.<br>In DDR(double data rate) mode command is latched on the rising edge of the clock and address and data inputs are latched on the rising and falling edges of the clock. Similarly, Data is output on both edges of the clock.<br>The two SPI clock modes are supported as follows.<br>• SPI Mode 0 : SDR and DDR<br>• SPI Mode 3 : SDR only |
| $\overline{WP}/IO[2]$ | Input /Bidirectional  | <b>Write Protect (SSPI/DSPI):</b> Write protects the status register in conjunction with the WREN bit (SR[1]) of the status register. The writing of status register is protected in related with $\overline{WP}$ and WPEN. See "Table 14 : Write Protection Modes".<br>This pin does not have internal pullups, it cannot be left floating and must be driven. $\overline{WP}$ is valid in Single SPI and Dual SPI mode.<br><b>IO[2] :</b> The bidirectional I/O in Quad SPI mode.                                       |
| IO[3]                 | Bidirectional         | <b>IO[3] :</b> The bidirectional I/O in Quad SPI modes.   |
| SI/IO[0]              | Input /Bidirectional  | <b>SI :</b> The serial input in Single SPI mode.<br><b>IO[0] :</b> The bidirectional I/O in Dual and Quad SPI modes   |
| SO/IO[1]              | Output /Bidirectional | <b>SO :</b> The serial data output in Single SPI mode.<br><b>IO[1] :</b> The bidirectional in Dual and Quad SPI modes.  |
| Vcc                   | Supply                | Power pin   |
| Vss                   | Supply                | Ground pin  |
| DIE PAD               | -                     | DIE PAD on the bottom of WSON package should be connected to VSS or floating.   |



## Power On/Off Sequence : 3.3V Device

- When power-up, power-down or power-loss,  $\overline{CS}$  must follow  $V_{cc}$  to provide data protection.
- It is recommended that  $\overline{CS}$  must follow  $V_{cc}$  when  $V_{cc}$  is below  $V_{cc}(\text{minimum})$  and during  $t_{PU}$ .
- A 10K $\Omega$  pull-up resistor between  $V_{cc}$  and  $\overline{CS}$  pin is recommended.
- Normal operation must start after  $t_{PU}$ .

**Figure 3 : Power-up/down Behavior : 3.3V Device**



**Table 2 : Power Up/Down Timing – 3.3V Device**

| Parameter   | Symbol          | Min | Max | Units           |
|---|-----------------|-----|-----|-----------------|
| Vcc Range   | Vcc             | 2.7 | 3.6 | V               |
| Vcc rising time   | $t_{PR}^{(1)}$  | 30  | -   | $\mu\text{s/V}$ |
| Vcc falling time  | $t_{PF}^{(1)}$  | 30  | -   | $\mu\text{s/V}$ |
| Vcc(min) to $\overline{CS}$ Low (first instruction) time        | $t_{PU}^{(1)}$  | 2.0 | -   | ms              |
| Vcc needed to below Vpwd for ensuring initialization will occur | $V_{PWD}^{(1)}$ | -   | 1.6 | V               |

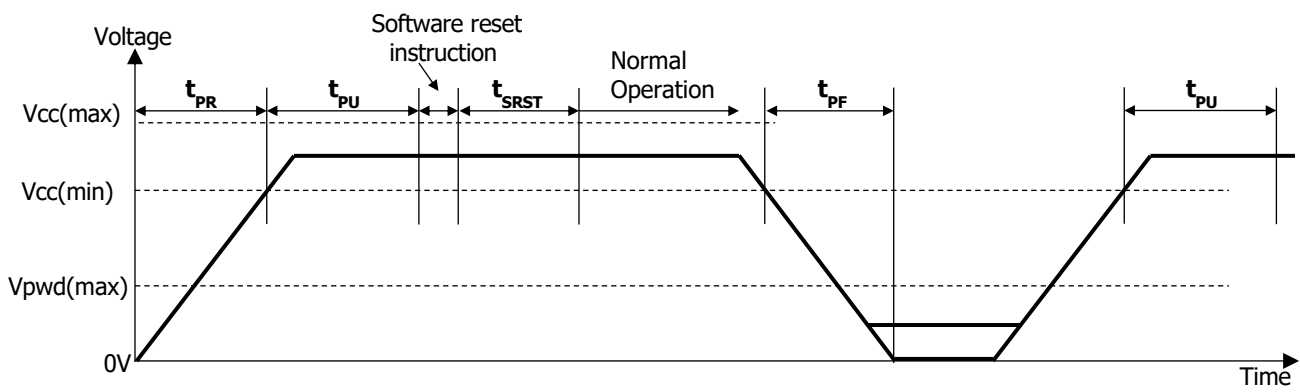
**Notes:**

1: These parameters are guaranteed by characterization; not tested in production.

## Power On/Off Sequence : 1.8V Device

- When power-up, power-down or power-loss,  $\overline{CS}$  must follow  $V_{CC}$  to provide data protection.
- It is recommended that  $\overline{CS}$  must follow  $V_{CC}$  when  $V_{CC}$  is below  $V_{CC}(\text{minimum})$  and during  $t_{PU}$ .
- A 10K $\Omega$  pull-up resistor between  $V_{CC}$  and  $\overline{CS}$  pin is recommended.
- Software reset operation is required after  $t_{PU}$ .
- Normal operation must start after  $t_{SRST}$ .

**Figure 4 : Power-up/down Behavior : 1.8V Device**



**Table 3 : Power Up/Down Timing – 1.8V Device**

| Parameter   | Symbol           | Min  | Max  | Units           |
|---|------------------|------|------|-----------------|
| Vcc Range   | VCC              | 1.71 | 1.98 | V               |
| Vcc rising time   | $t_{PR}^{(1)}$   | 30   | -    | $\mu\text{s/V}$ |
| Vcc falling time  | $t_{PF}^{(1)}$   | 30   | -    | $\mu\text{s/V}$ |
| Vcc(min) to $\overline{CS}$ Low (first instruction) time        | $t_{PU}^{(1)}$   | 2.0  | -    | ms              |
| Vcc needed to below Vpwd for ensuring initialization will occur | $V_{PWD}^{(1)}$  | -    | 0.8  | V               |
| Software Reset Time   | $t_{SRST}^{(1)}$ | 2.0  | -    | ms              |

**Notes:**

1: These parameters are guaranteed by characterization; not tested in production.

## Memory Organization

### Memory Map

**Table 4 : Memory Map**

| Density | Address Range      | 24-bit Address [23:0] |                      |
|---------|--------------------|-----------------------|----------------------|
| 32Mb    | 000000h – 3FFFFFFh | [23:22] – Logic '0'   | [21:0] – Addressable |

### Augmented 512-Byte Area Map

**Table 5 : Augmented 512-Byte Area Map**

| Density | Address Range                  | 24-bit Address [23:0] |                     |
|---------|--------------------------------|-----------------------|---------------------|
| 32Mb    | 000000h – 0001FFh <sup>1</sup> | [23:9] – Logic '0'    | [8:0] - Addressable |

**Notes:**

1: The augmented 512-byte area is divided into 8 individually readable and writeable sections (64 bytes per section). After an individual section is written, it can be write protected for each section to prevent further writing.

### Register Address Map

The device provides the register read/write instructions to read and write data of each register. In addition, the device provides the register read and/or write function based on addresses by RDAR(65h) and WRAR(71h) commands.

**Table 6 : Register Address**

| Register Name                  | Address   |
|--------------------------------|-----------|
| Status Register                | 0x000000h |
| Configuration Register 1       | 0x000002h |
| Configuration Register 2       | 0x000003h |
| Configuration Register 3       | 0x000004h |
| Configuration Register 4       | 0x000005h |
| Device Identification Register | 0x000030h |
| Unique Identification Register | 0x000040h |
| Serial Number Register         | 0x000080h |

**Notes:**

1: Register address space is different from the memory array and augmented 512-byte area.

## Instruction Command Set

**Table 7 : Control Instruction Set**

| Instruction Name      | Command | Opcode (Hex) | Interface Type (CMD-ADDR-Data) | XIP | Data Rate | Data Bytes | Latency Cycles | Max. Frequency |
|-----------------------|---------|--------------|--------------------------------|-----|-----------|------------|----------------|----------------|
| No operation          | NOOP    | 00           | 1-0-0, 2-0-0, 4-0-0            |     | SDR       |            |                | 108MHz         |
| Write Enable          | WREN    | 06           | 1-0-0, 2-0-0, 4-0-0            |     | SDR       |            |                | 108MHz         |
| Write Disable         | WRDI    | 04           | 1-0-0, 2-0-0, 4-0-0            |     | SDR       |            |                | 108MHz         |
| Enable DSPI           | DPIE    | 37           | 1-0-0, 4-0-0                   |     | SDR       |            |                | 108MHz         |
| Enable QSPI           | QPIE    | 38           | 1-0-0, 2-0-0                   |     | SDR       |            |                | 108MHz         |
| Enable SSPI           | SPIE    | FF           | 2-0-0, 4-0-0                   |     | SDR       |            |                | 108MHz         |
| Enter Deep Power Down | DPDE    | B9           | 1-0-0, 2-0-0, 4-0-0            |     | SDR       |            |                | 108MHz         |
| Exit Deep Power Down  | DPDX    | AB           | 1-0-0, 2-0-0, 4-0-0            |     | SDR       |            |                | 108MHz         |
| Software Reset Enable | SRTE    | 66           | 1-0-0, 2-0-0, 4-0-0            |     | SDR       |            |                | 108MHz         |
| Software Reset*       | SRST    | 99           | 1-0-0, 2-0-0, 4-0-0            |     | SDR       |            |                | 108MHz         |

**Notes:**

- 1: Software Reset (SRST) requires Software Reset Enable (SRTE) implemented in advance.
- 2: SSPI mode is enabled after power-on, software reset or JEDEC reset.

**Table 8 : Read Register Instruction Set**

| Instruction Name                            | Command | Opcode (Hex) | Interface Type (CMD-ADDR-Data) | XIP | Data Rate | Data Bytes | Latency Cycles | Max. Frequency |
|---|---------|--------------|--------------------------------|-----|-----------|------------|----------------|----------------|
| Read Status Register                        | RDSR    | 05           | 1-0-1, 2-0-2, 4-0-4            |     | SDR       | 1          |                | 108MHz         |
| Read Configuration Register 1               | RDC1    | 35           | 1-0-1, 2-0-2, 4-0-4            |     | SDR       | 1          |                | 108MHz         |
| Read Configuration Register 2               | RDC2    | 3F           | 1-0-1, 2-0-2, 4-0-4            |     | SDR       | 1          |                | 108MHz         |
| Read Configuration Register 3               | RDC3    | 44           | 1-0-1, 2-0-2, 4-0-4            |     | SDR       | 1          |                | 108MHz         |
| Read Configuration Register 4               | RDC4    | 45           | 1-0-1, 2-0-2, 4-0-4            |     | SDR       | 1          |                | 108MHz         |
| Read Configuration Register 1, 2, 3, 4      | RDCX    | 46           | 1-0-1, 2-0-2, 4-0-4            |     | SDR       | 4          |                | 108MHz         |
| Read Device ID                              | RDID    | 9F           | 1-0-1, 2-0-2, 4-0-4            |     | SDR       | 4          |                | 108MHz         |
| Read Unique ID                              | RUID    | 4C           | 1-0-1, 2-0-2, 4-0-4            |     | SDR       | 8          |                | 54MHz          |
| Read Serial Number Register                 | RDSN    | C3           | 1-0-1, 2-0-2, 4-0-4            |     | SDR       | 8          |                | 108MHz         |
| Read Augmented 512-byte Protection Register | RDAP    | 14           | 1-0-1, 2-0-2, 4-0-4            |     | SDR       | 1          |                | 108MHz         |
| Read Any Register - Address Based           | RDAR    | 65           | 1-1-1, 2-2-2, 4-4-4            |     | SDR       | 1,4,8      | 0              | 108MHz         |

**Notes:**

1. Registers do not wrap data during reads. Reading beyond the specified number of bytes will yield indeterminate data.

**Table 9 : Write Register Instruction Set**

| Instruction Name                             | Command | Opcode (Hex) | Interface Type (CMD-ADDR-Data) | XIP | Data Rate | Data Bytes | Latency Cycles | Max. Frequency |
|--|---------|--------------|--------------------------------|-----|-----------|------------|----------------|----------------|
| Write Status Register                        | WRSR    | 01           | 1-0-1, 2-0-2, 4-0-4            |     | SDR       | 1          |                | 108MHz         |
| Write Configuration Registers 1, 2, 3, 4     | WRCX    | 87           | 1-0-1, 2-0-2, 4-0-4            |     | SDR       | 4          |                | 108MHz         |
| Write Serial Number Register                 | WRSN    | C2           | 1-0-1, 2-0-2, 4-0-4            |     | SDR       | 8          |                | 108MHz         |
| Write Augmented 512-byte Protection Register | WRAP    | 1A           | 1-0-1, 2-0-2, 4-0-4            |     | SDR       | 1          |                | 108MHz         |
| Write Any Register - Address Based           | WRAR    | 71           | 1-1-1, 2-2-2, 4-4-4            |     | SDR       | 1,8        |                | 108MHz         |

**Notes:**

1. Write Enable (WREN) should be implemented in advance of Write Register Instruction set regardless of CR4[1:0] setting.
2. The WREN prerequisite for write operation of memory array and augmented 512-byte area is described in Configuration Register 4.

**Table 10 : Read Memory Array Instruction Set**

| Instruction Name                    | Command | Opcode (Hex) | Interface Type (CMD-ADDR-Data) | XIP | Data Rate | Data Bytes | Latency Cycles | Max. Frequency |
|-------------------------------------|---------|--------------|--------------------------------|-----|-----------|------------|----------------|----------------|
| Read Memory Array - SDR             | READ    | 03           | 1-1-1                          |     | SDR       | 1→∞        |                | 54MHz          |
| Fast Read Memory Array - SDR        | RDFT    | 0B           | 1-1-1, 2-2-2, 4-4-4            | 0   | SDR       | 1→∞        | 0              | 108MHz         |
| Fast Read Memory Array - DDR        | DRFR    | 0D           | 1-1-1, 2-2-2, 4-4-4            | 0   | DDR       | 1→∞        | 0              | 54MHz          |
| Read Dual Output Memory Array - SDR | RDDO    | 3B           | 1-1-2                          | 0   | SDR       | 1→∞        | 0              | 108MHz         |
| Read Dual Output Memory Array - DDR | DRDO    | 3D           | 1-1-2                          | 0   | DDR       | 1→∞        | 0              | 54MHz          |
| Read Quad Output Memory Array - SDR | RDQO    | 6B           | 1-1-4                          | 0   | SDR       | 1→∞        | 0              | 108MHz         |
| Read Quad Output Memory Array - DDR | DRQO    | 6D           | 1-1-4                          | 0   | DDR       | 1→∞        | 0              | 54MHz          |
| Read Dual I/O Memory Read - SDR     | RDDI    | BB           | 1-2-2                          | 0   | SDR       | 1→∞        | 0              | 108MHz         |
| Read Dual I/O Memory Read - DDR     | DRDI    | BD           | 1-2-2                          | 0   | DDR       | 1→∞        | 0              | 54MHz          |
| Read Quad I/O Memory Read - SDR     | RDQI    | EB           | 1-4-4                          | 0   | SDR       | 1→∞        | 0              | 108MHz         |
| Read Quad I/O Memory Read - DDR     | DRQI    | ED           | 1-4-4                          | 0   | DDR       | 1→∞        | 0              | 54MHz          |

**Notes:**

- 1: Read Instruction must include Latency cycles to meet operating frequency.
- 2: Latency is configurable through Configuration Register 2 (CR2[3:0]) and frequency dependent. Required latency is described in Configuration Register 2.

**Table 11 : Write Memory Array Instruction Set**

| Instruction Name                    | Command | Opcode (Hex) | Interface Type (CMD-ADDR-Data) | XIP | Data Rate | Data Bytes | Latency Cycles | Max. Frequency |
|-------------------------------------|---------|--------------|--------------------------------|-----|-----------|------------|----------------|----------------|
| Write Memory Array - SDR            | WRTE    | 02           | 1-1-1                          |     | SDR       | 1→∞        |                | 108MHz         |
| Fast Write Memory Array - SDR       | WRFT    | DA           | 1-1-1, 2-2-2, 4-4-4            | 0   | SDR       | 1→∞        |                | 108MHz         |
| Fast Write Memory Array - DDR       | DRFW    | DE           | 1-1-1, 2-2-2, 4-4-4            | 0   | DDR       | 1→∞        |                | 54MHz          |
| Write Dual Input Memory Array - SDR | WDUI    | A2           | 1-1-2                          | 0   | SDR       | 1→∞        |                | 108MHz         |
| Write Dual Input Memory Array - DDR | DWUI    | A4           | 1-1-2                          | 0   | DDR       | 1→∞        |                | 54MHz          |
| Write Quad Input Memory Array - SDR | WQDI    | 32           | 1-1-4                          | 0   | SDR       | 1→∞        |                | 108MHz         |
| Write Quad Input Memory Array - DDR | DWQI    | 31           | 1-1-4                          | 0   | DDR       | 1→∞        |                | 54MHz          |
| Write Dual I/O Memory Array - SDR   | WDIO    | A1           | 1-2-2                          | 0   | SDR       | 1→∞        |                | 108MHz         |
| Write Dual I/O Memory Array - DDR   | DWIO    | A3           | 1-2-2                          | 0   | DDR       | 1→∞        |                | 54MHz          |
| Write Quad I/O Memory Array - SDR   | WQIO    | D2           | 1-4-4                          | 0   | SDR       | 1→∞        |                | 108MHz         |
| Write Quad I/O Memory Array - DDR   | DWQO    | D1           | 1-4-4                          | 0   | DDR       | 1→∞        |                | 54MHz          |

**Notes:**

1: Write Enable (WREN) for array writing is configurable (Configuration Register 4 – CR4[1:0])

**Table 12 : Augmented 512-Byte Area Instruction Set**

| Instruction Name                    | Command | Opcode (Hex) | Interface Type (CMD-ADDR-Data) | XIP | Data Rate | Data Bytes | Latency Cycles | Max. Frequency |
|-------------------------------------|---------|--------------|--------------------------------|-----|-----------|------------|----------------|----------------|
| Read Augmented 512-Byte Area - SDR  | RDAS    | 4B           | 1-1-1                          |     | SDR       | 1→512      | 0              | 108MHz         |
| Write Augmented 512-Byte Area - SDR | WRAS    | 42           | 1-1-1                          |     | SDR       | 1→512      |                | 108MHz         |

**Notes:**

1: The address bits ADDR[23:9] must be Logic '0' for this Instruction.

2: Write Enable (WREN) for array writing is configurable (Configuration Register 4 – CR4[1:0])

## Register Description

The device has nonvolatile register bits – status register, configuration register, serial number register, augmented 512-byte area and protection register for augmented 512-byte area. These register bits are required to be set at least once on power-up after high temperature solder reflow process.

### Status Register / Device Protection Register

The device offers both hardware and software based data protection schemes. Hardware protection is through  $\overline{WP}$  pin. Software protection is controlled by configuration bits in the Status register. Both schemes inhibit writing to the registers and memory array. Status Register contains options for enabling/disabling data protection. By controlling configuration bits in Status Register, user can protect data in memory array based on software protection schemes.

**Table 13 : Status Register-Data Protection**

| Bits  | Name  | Read/Write | Default State | Description  |
|-------|-------|------------|---------------|--|
| SR[7] | WPEN  | R/W        | -             | Hardware Based $\overline{WP}$ Protect Bit<br>1: Protection Enabled – write protects when $\overline{WP}$ is Low<br>0: Protection Disabled – Doesn't write protect when $\overline{WP}$ is Low |
| SR[6] | SNPEN | R/W        | -             | Serial Number Protect Bit<br>1: Serial Number Write protected<br>0: Serial Number Writable   |
| SR[5] | TB    | R/W        | -             | Top/Bottom Memory Array Protect Selection<br>1: Bottom Protection Enabled (Lower Address Range)<br>0: Top Protection Enabled (Higher Address Range)  |
| SR[4] | BP[2] | R/W        | -             | Block Protection Bits  |
| SR[3] | BP[1] | R/W        | -             |  |
| SR[2] | BP[0] | R/W        | -             |  |
| SR[1] | WREN  | R          | 0             | Write Protection Enable<br>1: Write Operation Protection Disabled<br>0: Write Operation Protection Enabled   |
| SR[0] | RSVD  | R          | -             | Reserved for future use  |

**Notes:** SR[7:2] are nonvolatile bits.

### Write Protection Modes

WPEN bit (SR[7]) is used in conjunction with the WREN bit (SR[1]) and the  $\overline{WP}$  pin to provide hardware block protection. SR[7:2] will remain set from the nonvolatile registers whenever the power is on. The WREN bit is volatile and set "1" by the Write Enable command. It is set to "0" at power up. The device enters hardware protection when the  $\overline{WP}$  input is low and the Status Register WPEN bit is set to 1, and the status and configuration register bits can not be changed. The device exits from hardware protection when the  $\overline{WP}$  pin goes high or WPEN bit is set to 0, and the register bits can be changed.

**Table 14 : Write Protection Modes**

| WREN | WPEN | $\overline{WP}$ (Pin) | Status & Configuration Registers | Memory <sup>1</sup> Array Protected Area | Memory <sup>1</sup> Array Unprotected Area |
|------|------|-----------------------|----------------------------------|--|--|
| 0    | X    | X                     | Protected                        | Protected                                | Protected                                  |
| 1    | 0    | X                     | Unprotected                      | Protected                                | Unprotected                                |
| 1    | 1    | 0                     | Protected                        | Protected                                | Unprotected                                |
| 1    | 1    | 1                     | Unprotected                      | Protected                                | Unprotected                                |

**Notes:**

- 1: Memory address range protection based on Block Protection Bits
2. X: Don't Care – Can be Logic '0' or '1'
3. Protected: Write protected, Unprotected: Writable

## Block Protection Modes

The write protection blocks for the memory array are determined by the status register bits (TB and BP[2:0]) as Table 15. TB and BP[2:0] can be modified by WRSR command when the  $\overline{WP}$  input is high or the Status Register WPEN bit is set to 0, and MAPLK(CR1[2]) is set to 0.

**Table 15 : Block Protection Address Range Selection**

| TB  | BP[2] | BP[1] | BP[0] | Protected Portion | 32Mb                |
|-----|-------|-------|-------|-------------------|---------------------|
| 0/1 | 0     | 0     | 0     | None              | None                |
| 0   | 0     | 0     | 1     | Upper 1/64        | 3F0000h – 3FFFFFFh  |
| 0   | 0     | 1     | 0     | Upper 1/32        | 3E0000h – 3FFFFFFh  |
| 0   | 0     | 1     | 1     | Upper 1/16        | 3C0000h – 3FFFFFFh  |
| 0   | 1     | 0     | 0     | Upper 1/8         | 380000h – 3FFFFFFh  |
| 0   | 1     | 0     | 1     | Upper 1/4         | 300000h – 3FFFFFFh  |
| 0   | 1     | 1     | 0     | Upper 1/2         | 200000h – 3FFFFFFh  |
| 1   | 0     | 0     | 1     | Lower 1/64        | 000000h – 0FFFFFFh  |
| 1   | 0     | 1     | 0     | Lower 1/32        | 000000h – 01FFFFFFh |
| 1   | 0     | 1     | 1     | Lower 1/16        | 000000h – 03FFFFFFh |
| 1   | 1     | 0     | 0     | Lower 1/8         | 000000h – 07FFFFFFh |
| 1   | 1     | 0     | 1     | Lower 1/4         | 000000h – 0FFFFFFh  |
| 1   | 1     | 1     | 0     | Lower 1/2         | 000000h – 1FFFFFFh  |
| 0/1 | 1     | 1     | 1     | All               | 000000h – 3FFFFFFh  |



## Augmented 512-Byte Area Protection

Augmented 512-Byte Area Protection register contains options for enabling/disabling data protection for eight 64-byte sections.

**Table 16 : Augmented 512-Byte Area Protection Register – Read and Write**

| Bits   | Name    | Address Range     | Read/Write | Default State | Description                                     |
|--------|---------|-------------------|------------|---------------|---|
| ASP[7] | ASPS[7] | 0001C0h – 0001FFh | R/W        | 0             | 1: Protection Enabled<br>0: Protection Disabled |
| ASP[6] | ASPS[6] | 000180h – 0001BFh | R/W        | 0             |   |
| ASP[5] | ASPS[5] | 000140h – 00017Fh | R/W        | 0             |   |
| ASP[4] | ASPS[4] | 000100h – 00013Fh | R/W        | 0             |   |
| ASP[3] | ASPS[3] | 0000C0h – 0000FFh | R/W        | 0             |   |
| ASP[2] | ASPS[2] | 000080h – 0000BFh | R/W        | 0             |   |
| ASP[1] | ASPS[1] | 000040h – 00007Fh | R/W        | 0             |   |
| ASP[0] | ASPS[0] | 000000h – 00003Fh | R/W        | 0             |   |

**Notes :** ASP[7:0] are nonvolatile bits.

## Configuration Register 1 (Read/Write)

Configuration Register 1 controls locking/unlocking data protection options set in the Status register. Once locked, the protection options cannot be changed in the Status register.

**Table 17 : Configuration Register 1 – Read and Write**

| Bits   | Name  | Read/Write | Default State | Selection Options  |
|--------|-------|------------|---------------|--|
| CR1[7] | RSVD  | R/W        | -             | Reserved for future use  |
| CR1[6] | RSVD  | R/W        | -             | Reserved for future use  |
| CR1[5] | RSVD  | R/W        | -             | Reserved for future use  |
| CR1[4] | RSVD  | R/W        | -             | Reserved for future use  |
| CR1[3] | RSVD  | R/W        | -             | Reserved for future use  |
| CR1[2] | MAPLK | R/W        | -             | Status Register TB, BP[2:0] Protect<br>1: Lock TB and BP[2:0]<br>0: Unlock TB and BP[2:0]  |
| CR1[1] | RSVD  | R/W        | -             | Reserved for future use  |
| CR1[0] | ASPLK | R/W        | -             | Augmented 512-Byte Area Data Protection<br>1: Write Protection for Augmented Area Data regardless of ASP[7:0]<br>0: Write Protection for Augmented Area Data depending on ASP[7:0] |

**Notes :** CR1[7:0] are nonvolatile bits.

## Configuration Register 2 (Read/Write)

Configuration Register 2 controls the interface type along with memory array access latency.

**Table 18 : Configuration Register 2 – Read and Write**

| Bits   | Name  | Read/Write | Default State | Description  |
|--------|-------|------------|---------------|--|
| CR2[7] | RSVD  | R/W        | -             | Reserved for future use  |
| CR2[6] | QPIEN | R          | 0             | Quad SPI (QPI 4-4-4) Interface Mode<br>1: Quad SPI (QPI 4-4-4) Enabled<br>0: Single SPI (SPI 1-X-X) Enabled  |
| CR2[5] | RSVD  | R/W        | 0             | It must be written as 0  |
| CR2[4] | DPIEN | R          | 0             | Dual SPI (DPI 2-2-2) Interface Mode<br>1: Dual SPI (DPI 2-2-2) Enabled<br>0: Single SPI (SPI 1-X-X) Enabled  |
| CR2[3] | RL[3] | R/W        | -             | Read Latency Selection Bits : CR2[3:0]<br>0000: 0 Cycle<br>0001: 1 Cycle<br>0010: 2 Cycles<br>0011: 3 Cycles<br>0100: 4 Cycles<br>0101: 5 Cycles<br>0110: 6 Cycles<br>0111: 7 Cycles<br>1000: 8 Cycles<br>1001: 9 Cycles<br>1010: 10 Cycles<br>1011: 11 Cycles<br>1100: 12 Cycles<br>1101: 13 Cycles<br>1110: 14 Cycles<br>1111: 15 Cycles |
| CR2[2] | RL[2] |            | -             |  |
| CR2[1] | RL[1] |            | -             |  |
| CR2[0] | RL[0] |            | -             |  |

**Notes:**

1. Read Latency is frequency dependent.
2. Read(03h) does not depend on Read latency Selection Bits, CR2[3:0].
3. CR2[7,5,3:0] are nonvolatile bits.
4. CR2[5] must be written as 0

**Table 19 : Read Latency Cycles vs. Maximum Frequency (Memory Area)**

| Read Type           | Data Rate | XIP | Latency Cycles | Max Frequency |
|---------------------|-----------|-----|----------------|---------------|
| 1-1-1 (READ 03h)    | SDR       | -   | 0              | 54MHz         |
| 1-1-1               | SDR       | 0   | 0-15           | 108MHz        |
| 1-1-2, 1-2-2, 2-2-2 |           |     | 4-15           |               |
| 1-1-4, 1-4-4, 4-4-4 |           |     | 6-15           |               |
| 1-1-1               | DDR       |     | 0-15           | 54MHz         |
| 1-1-2, 1-2-2, 2-2-2 |           |     | 4-15           |               |
| 1-1-4, 1-4-4, 4-4-4 |           |     | 6-15           |               |

**Notes:**

1. Read(03h) does not depend on Read latency Selection Bits, CR2[3:0]. The latency of Read(03h) is always 0-cycle.

**Table 20 : Read Latency Cycles vs. Maximum Frequency (Augmented 512-Byte Area)**

| Read Type        | Data Rate | XIP | Latency Cycles | Max Frequency |
|------------------|-----------|-----|----------------|---------------|
| 1-1-1 (RDAS 4Bh) | SDR       | -   | 6-15           | 54MHz         |
| 1-1-1 (RDAS 4Bh) | SDR       | -   | 8-15           | 108MHz        |

**Table 21 : Latency Cycles vs. Maximum Frequency (Read Any Register Instruction)**

| Read Type        | Data Rate | XIP | Latency Cycles | Max Frequency |
|------------------|-----------|-----|----------------|---------------|
| 1-1-1 (RDAR 65h) | SDR       | -   | 8              | 108MHz        |
| 2-2-2 (RDAR 65h) | SDR       | -   | 4              | 108MHz        |
| 4-4-4 (RDAR 65h) | SDR       | -   | 2              | 108MHz        |

**Notes:**

1. RDAR(65h, read any register instruction) does not depend on Read latency Selection Bits, CR2[3:0].

## Configuration Register 3 (Read/Write)

Configuration Register 3 controls the output driver strength along with the boundary size of read data wrapping.

**Table 22 : Configuration Register 3 – Read and Write**

| Bits   | Name    | Read/Write | Description   |
|--------|---------|------------|---|
| CR3[7] | DRV[2]  | R/W        | Output Driver Strength Selection DRV[2:0]<br>3.3V      1.8V<br>000: 36Ω    35Ω<br>001: 100Ω   95Ω<br>010: 75Ω    63Ω<br>011: 60Ω    50Ω<br>100: 48Ω    40Ω<br>101: 41Ω    30Ω<br>110: 29Ω    26Ω<br>111: 24Ω    22Ω |
| CR3[6] | DRV[1]  |            |   |
| CR3[5] | DRV[0]  |            |   |
| CR3[4] | WRPEN   |            |   |
| CR3[3] | RSVD    | R/W        | Reserved for future use   |
| CR3[2] | WRPL[2] | R/W        | Wrap length configuration WRPL[2:0]<br>000: 16-byte wrap<br>001: 32-byte wrap<br>010: 64-byte wrap<br>011: 128-byte wrap<br>100: 256-byte wrap<br>101: 512-byte wrap<br>110: 1K-byte wrap<br>111: Reserved          |
| CR3[1] | WRPL[1] |            |   |
| CR3[0] | WRPL[0] |            |   |

**Notes:**

1. Default output strength is DRV[2:0]=000.
2. CR3[7:0] are nonvolatile bits.

|                     | Description   |
|---------------------|---|
| WRPEN(CR3[4]) =Low  | Read and write operation : continuous mode<br>Read or write operation starts at the input address, and once the address reaches the maximum address boundary, it automatically returns to minimum address(000000h) until $\overline{CS}$ goes to high.  |
| WRPEN(CR3[4]) =High | Read operations : wrap mode<br>Read wrap mode is enabled when WRPEN(CR3[4]) is High, and the read data wrap length is controlled by WRPL[2:0]. The output data starts at the input address, data are output sequentially. Once it reaches the ending boundary, the output will wrap around to the beginning boundary automatically until $\overline{CS}$ is pulled high.<br><br>Write operation : continuous mode<br>Write operation starts at the input address, and once the address reaches the maximum address boundary, it automatically returns to minimum address(000000h) until $\overline{CS}$ goes to high. |

## Configuration Register 4 (Read/Write)

Configuration Register 4 controls Write Enable protection (WREN – Status Register) reset functionality during memory array writing<sup>1</sup>.

This functionality makes SPI MRAM compatible to other SPI devices.

**Table 23 : Configuration Register 4 – Read and Write**

| Bits     | Name     | Read/Write | Default State | Selection Options   |
|----------|----------|------------|---------------|---|
| CR4[7:2] | RSVD     | R/W        | -             | Reserved for future use   |
| CR4[1]   | WRENS[1] |            | -             | 00: Normal: WREN is prerequisite to all Memory Array and Augmented 512-byte Area Write instruction. (WREN is reset after $\overline{CS}$ goes High)<br>01: SRAM: WREN is not a prerequisite to Memory Array and Augmented 512-byte Area Write instruction (WREN is ignored) |
| CR4[0]   | WRENS[0] |            | -             | 10: Back-to-Back: WREN is prerequisite to only the first Memory Array Write or Augmented 512-byte Area instruction. WREN disable instruction must be executed to reset WREN. (WREN does not reset after $\overline{CS}$ goes High)<br>11: Reserved                          |

**Notes:**

- Write Enable protection (WREN – Status Register) for Registers is maintained irrespective of the Configuration Register 4 settings. In other words, all register write Instructions require WREN to be set and WREN resets once  $\overline{CS}$  goes High for the write instruction.  
CR4[1:0] only affects the writing for memory and augmented 512-bytes area.
- CR4[7:0] are nonvolatile bits.

## Device Identification Register (Read Only)

Device identification register contains Netsol's Manufacturing ID along with device configuration information.

**Table 24 : Device Identification Register – Read Only**

| Bits     | Manufacturer ID | Device Configuration |           |             |          |         |
|----------|-----------------|----------------------|-----------|-------------|----------|---------|
| ID[31:0] | ID[31:24]       | Interface            | Voltage   | Temperature | Density  | Freq    |
|          |                 | ID[23:20]            | ID[19:16] | ID[15:12]   | ID[11:8] | ID[7:0] |

| Manufacturer ID | Interface   | Voltage                    | Temperature       | Density     | Frequency         |
|-----------------|-------------|----------------------------|-------------------|-------------|-------------------|
| 31-24           | 23-20       | 19-16                      | 15-12             | 11-8        | 7-0               |
| 1101 1001       | 0000 : QSPI | 0001 : 3.3V<br>0010 : 1.8V | 0000 : -40°C~85°C | 0110 : 32Mb | 00000001 : 108MHz |

## Serial Number Register (Read/Write)

The device provides 64-bits Serial Number register and the user can write it.

**Table 25 : Serial Number Register – Read and Write**

| Bits     | Name | Description         | Read/ Write | State         |
|----------|------|---------------------|-------------|---------------|
| SN[63:0] | SN   | Serial Number Value | R/W         | User writable |

**Notes:**

1: Serial Number Bits are nonvolatile and user should write the data after solder reflow process.

## Unique Identification Register (Read Only)

Unique Identification register contains a number unique to every device.

**Table 26 : Unique ID Register – Read Only**

| Bits      | Name | Description                        | Read/ Write | Selection Options   |
|-----------|------|------------------------------------|-------------|---|
| UID[63:0] | UID  | Unique Identification Number Value | R           | Value stored is written in the factory and is device specific |



## SPI Interface Modes

- The device supports 3 categories of SPI interface modes.
  - Single SPI (SSPI) : command is transferred through one I/O pin.
    - 1) Address and data are transferred through one pin
    - 2) Address is transferred through one pin, data is transferred through two pins
    - 3) Address is transferred through one pin, data is transferred through four pins
    - 4) Address and data are transferred through two pins
    - 5) Address and data are transferred through four pins
  - Dual SPI (DSPI) : All command, address and data are transferred through two I/O pins.
  - Quad SPI (QSPI) modes : All command, address and data are transferred through four I/O pins.
  
- Nomenclature adoption: A typical SPI instruction consists of command, address and data components. The bus width to transmit these three components varies based on the SPI interface mode selected. To accurately represent the number of I/Os used to transmit these three components, a nomenclature (command-address-data) is adopted and used throughout this document. Integers placed in the (command-address-data) fields represent the number of I/Os used to transmit the particular component. As an example, 1-1-1 means command, address and data are transmitted on a single I/O (SI / IO[0] or SO / IO[1]). On the other hand, 1-4-4 represents command being sent on a single I/O (SI / IO[0]) and address/data being sent on four I/Os (IO[3:0]).

**Table 27 : Pin Assignment / Interface Modes**

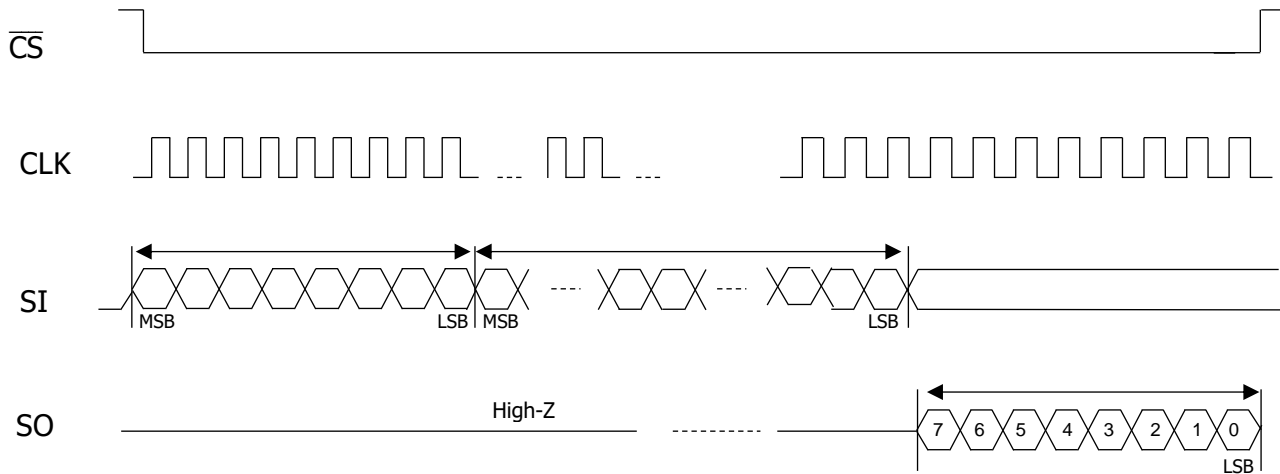
| Instruction Component | Interface Modes<br>(Command-Address-Data) |               |               |               |               |               |               |
|-----------------------|---|---------------|---------------|---------------|---------------|---------------|---------------|
|                       | SSPI<br>1-1-1                             | SSPI<br>1-1-2 | SSPI<br>1-2-2 | DSPI<br>2-2-2 | SSPI<br>1-1-4 | SSPI<br>1-4-4 | QSPI<br>4-4-4 |
| Command               | SI/IO[0]                                  | SI/IO[0]      | SI/IO[0]      | IO[1:0]       | SI/IO[0]      | SI/IO[0]      | IO[3:0]       |
| Address               | SI/IO[0]                                  | SI/IO[0]      | IO[1:0]       | IO[1:0]       | SI/IO[0]      | IO[3:0]       | IO[3:0]       |
| Data Input            | SI/IO[0]                                  | IO[1:0]       | IO[1:0]       | IO[1:0]       | IO[3:0]       | IO[3:0]       | IO[3:0]       |
| Data Output           | SO/IO[1]                                  | IO[1:0]       | IO[1:0]       | IO[1:0]       | IO[3:0]       | IO[3:0]       | IO[3:0]       |



### MSB/LSB Location in data bits

- The most significant bit(MSB) is placed first at all commands, address and data.

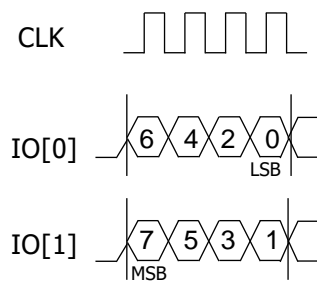
**Figure 6 : Location of MSB and LSB**



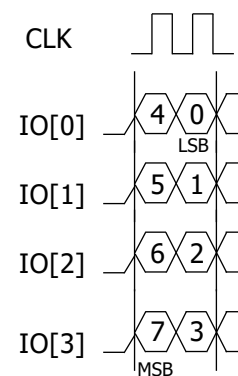
- For Dual SPI and Quad SPI, the order of data bits is alternately decided among the IO pins.

**Figure 7 : MSB and LSB in DSPI and QSPI**

#### 1) Dual SPI



#### 2) Quad SPI



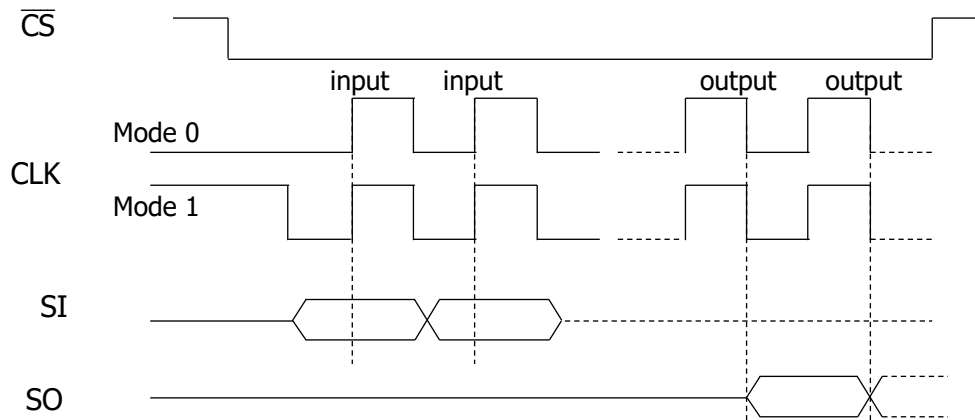
**\* Notes;**

All commands, Address, XIP and Data follow this order

## Data Rate (SDR/DDR)

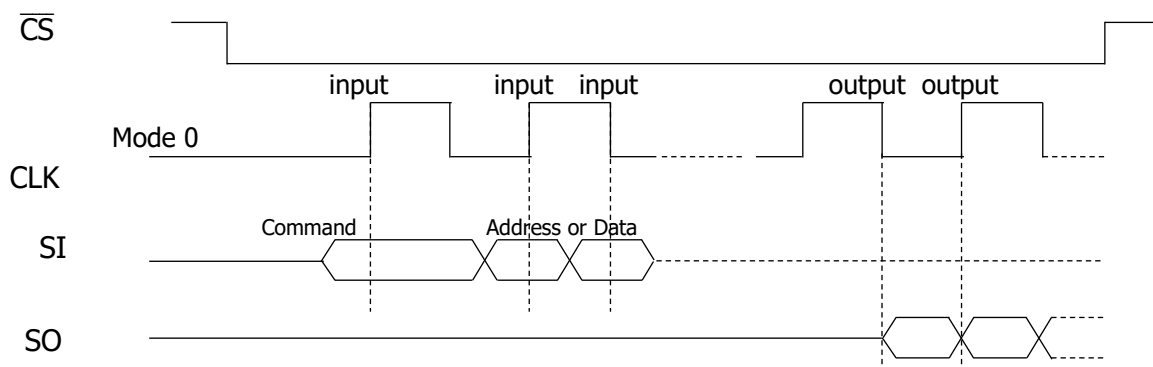
- In Single Data Rate mode (SDR), command, address and data inputs are latched on the rising edge of the clock. Data is outputted on the falling edge of the clock.

**Figure 8 : Description of SDR Instruction Type**



- In Double Data Rate mode (DDR), command is latched on the rising edge of the clock. Address and Data inputs are latched on both edges of the clock. Data is output on both edges of the clock.

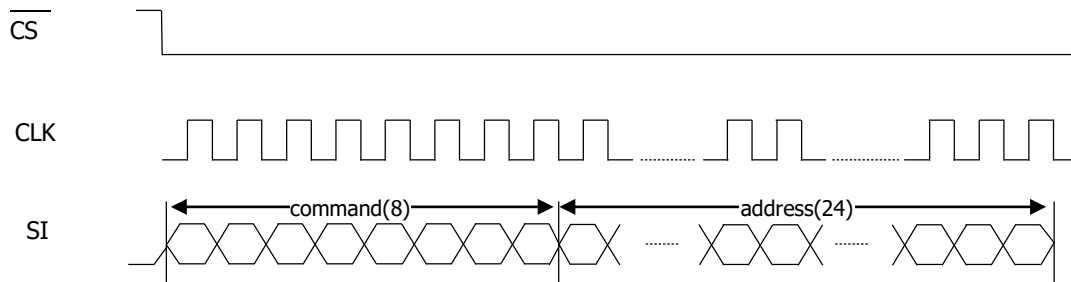
**Figure 9 : Description of DDR Instruction Type**



## Instruction Structure

- Each instruction starts out with an 8-bit command. The command selects the type of operation. The instruction can be stand alone or followed by address to select a memory location or register. The address is always 24-bits wide.

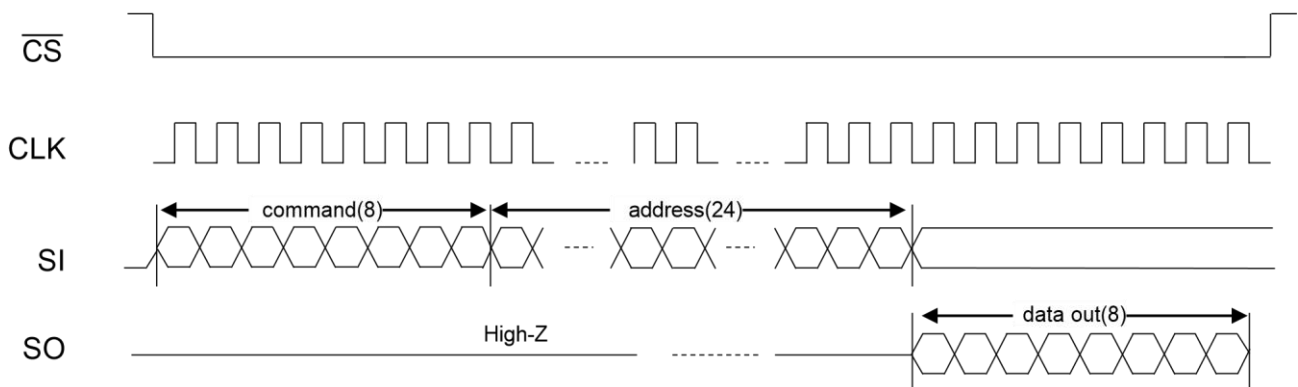
**Figure 10 : Description of command followed by Address (SSIP mode)**



## Read Operation

- Read operation starts from pulling  $\overline{CS}$  Low. 8 bits Read command(03h) is transmitted to the device then 24 bit address is following while the first 7 MSB bits of address are don't care. The device outputs the data at selected address to the SO pin. The read operation can be terminated by pulling  $\overline{CS}$  high.

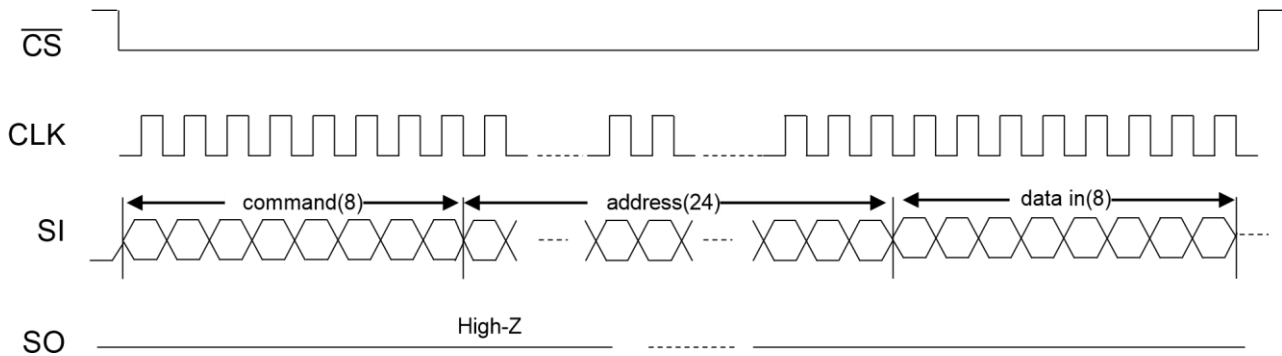
**Figure 11 : Description of Read Operation (SSIP mode)**



## Write Operation

- Write operation starts from pulling  $\overline{CS}$  Low. 8 bits Write command(02h) is transmitted to the device then 24 bit address is following while the first 7 MSB bits of address are don't care. The data on the SI pin is written to the device at selected address. The write operation can be terminated by pulling  $\overline{CS}$  high.

**Figure12 : Description of Write Operation (SSPI mode)**



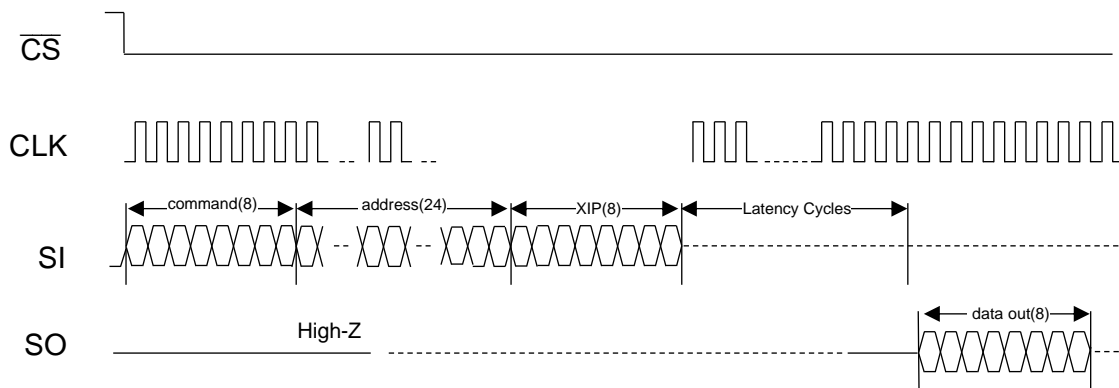
**\* Notes :**

- In normal operational mode, Write instructions must be preceded by the WREN command. WREN command sets the WREN bit in the Status register. WREN bit is reset at the end of every Write instruction. WREN bit can also be reset by executing the WRDI command.
- The device offers two other modes, namely SRAM and Back-to-Back Write where WREN does not get reset after a write instruction to the memory array or the augmented 512-byte area. These modes are set in Configuration Register 4.

## XIP (Execute In Place) Operation

- For read and write operation, the device offers XIP (execute in place) mode. XIP allows a series of read or write operation without loading individual read or write command for each instruction, which results in reduced random access time. XIP is enabled by entering byte AXh and disabled by entering any byte not equal to AXh. These respective bytes must be entered following the address bits. Read operation with XIP needs extra Read-Latency before data coming out from SO pin. The latencies are specified in Table 19 : Memory Array Read Latency Cycles vs. Maximum Clock Frequency (with XIP) .

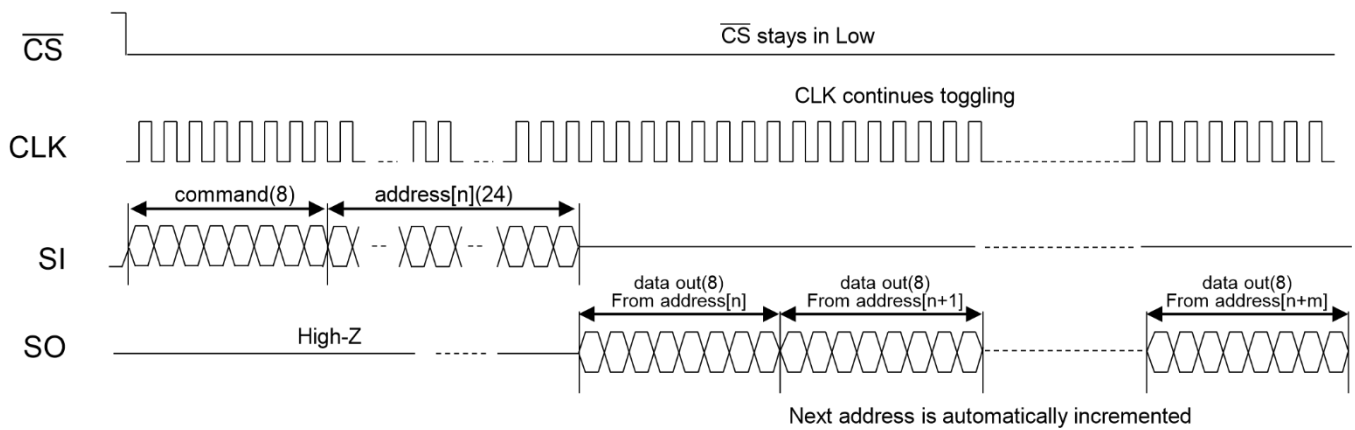
**Figure 13 : Description of Read Operation with XIP (SSIP mode)**



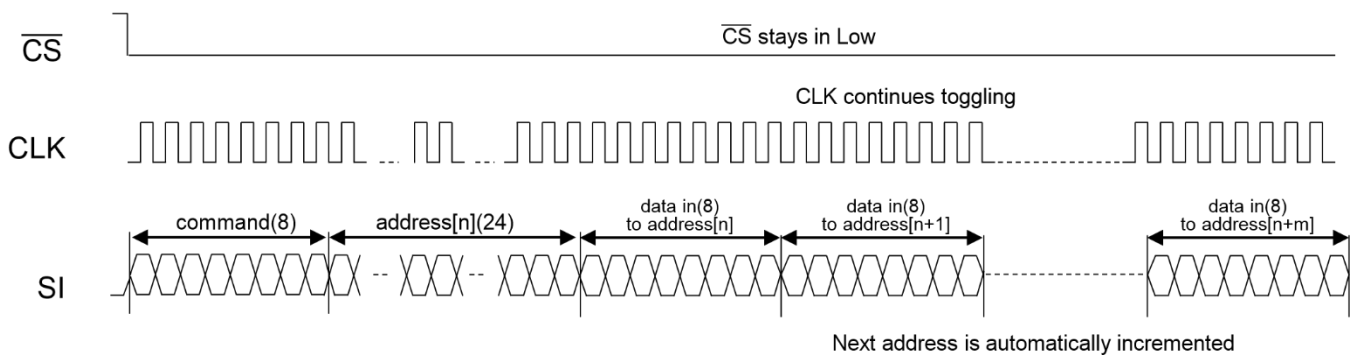
## Continuing Read/Write

- The entire memory array can be read from or written to using a single read or write instruction. After the starting address is entered, subsequent address are internally incremented as long as  $\overline{CS}$  is Low and CLK continues toggling.

**Figure 14 : Description of Continuing Read Operation (SSIP mode)**



**Figure 15 : Description of Continuing Write Operation (SSIP mode)**

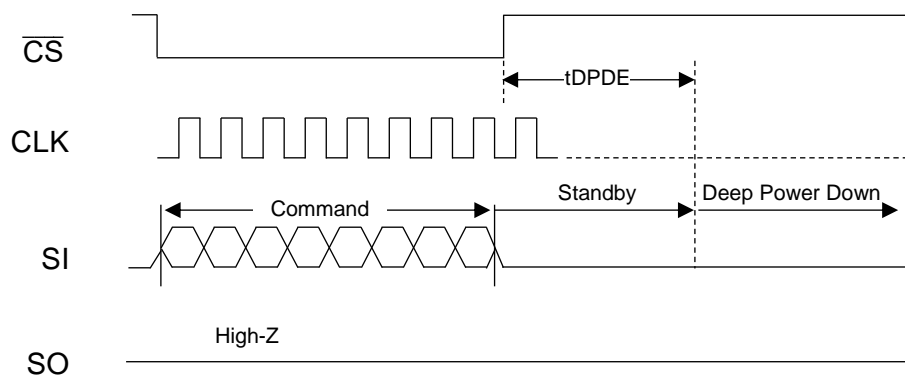


- For read operation, the device offers wrap mode. Wrap bursts are confined to address aligned 16/32/64/128/256/512/1K byte boundary. The read address can start anywhere within the wrap boundary. 16/32/64/128/256/512/1K wrap configuration is set in Configuration Register 3.

## Deep Power Down Modes

- The device provides Deep Power Down mode. This mode reduces current consumption from ISB to IDPD. To enter the deep power down mode,  $\overline{CS}$  is driven low, following the enter Deep Power Down (DPDE) command,  $\overline{CS}$  must be driven high after the eighth bit of the command code has been latched in or the DPDE command will not be executed. After  $\overline{CS}$  is driven high, it requires a delay of  $t_{DPDE}$  before the supply current is reduced to IDPD and the Deep Power Down mode is entered. The command can be issued in SPI, DSPI or QSPI modes.

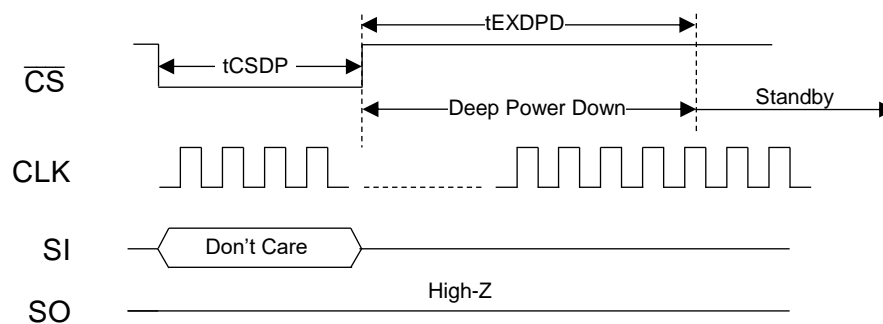
**Figure 16 : Entering Deep Power Down Mode (SSIP mode)**



- There are two ways to exit deep power down mode:

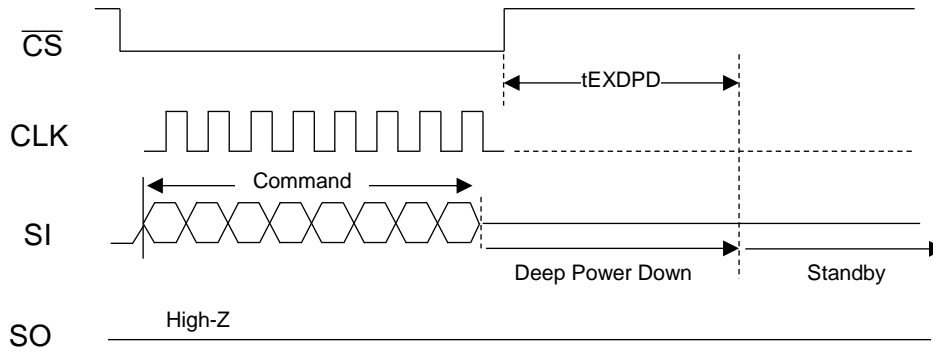
1. Toggling  $\overline{CS}$  with a  $\overline{CS}$  pulse width of  $t_{CSDPD}$  while CLK and I/Os are Don't Care. During waking up from deep power down, I/Os remain to be in high-Z.

**Figure 17 : Exit Deep Power Down Mode by  $\overline{CS}$**



2. Driving  $\overline{CS}$  low follows with the Exit Deep Power Down (EXDPD, ABh) command.  $\overline{CS}$  must be driven high after the eight bit of the command code has been latched in or the EXDPD command will not executed.

**Figure 18 : Exit Deep Power Down Mode by SPI Command**

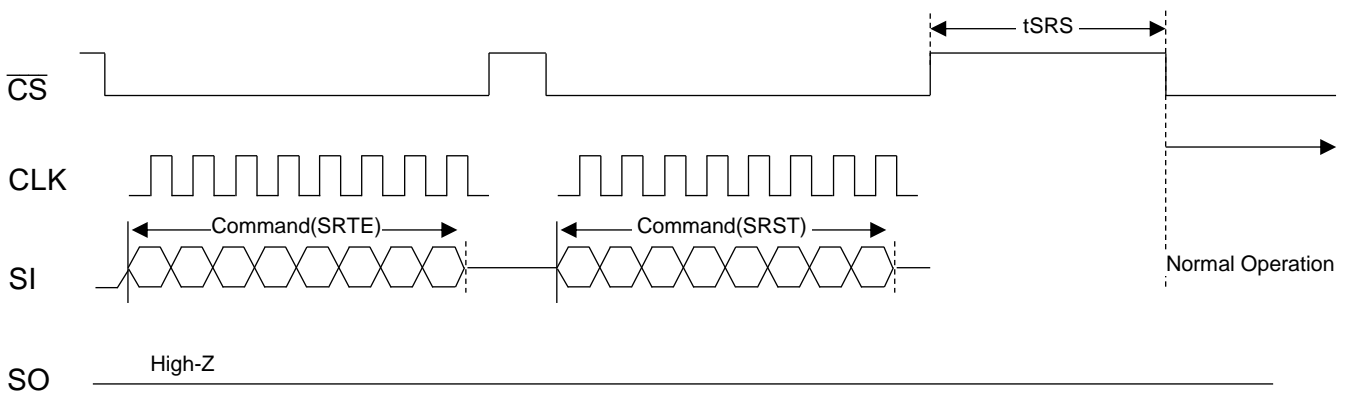


- It requires a delay of  $t_{EXDPD}$  before the device can fully exit the deep power down mode and enter standby mode.
- Status of all non-volatile bits in registers remains unchanged when the device enters or exits the deep power down mode.
- The command can be issued in SPI, DPI, and QPI mode.

## Software Reset

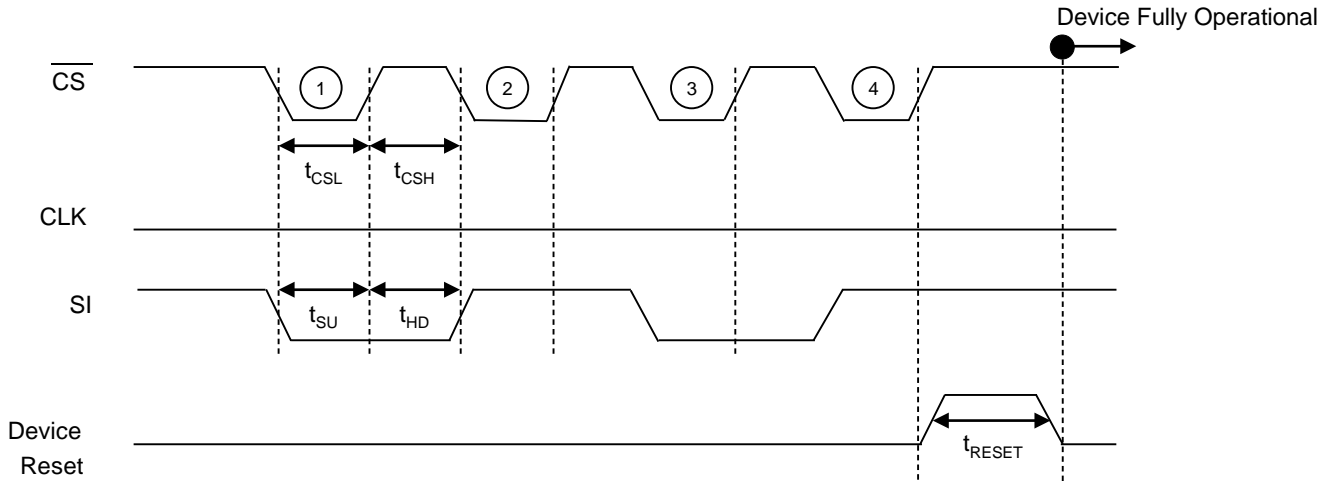
Software Reset (SRST) requires Software Reset Enable (SRTE) implemented in advance.

**Figure 19 : Software Reset Timing**



## JEDEC Reset

**Figure 20 : JEDEC Reset Operation Timing**



**Table 28 : JEDEC Reset Operation & Timing : 3.3V Device**

| Parameter                              | Symbol      | Min. | Max. | Units   |
|--|-------------|------|------|---------|
| $\overline{CS}$ Low Time               | $t_{CSL}$   | 0.5  | -    | $\mu s$ |
| $\overline{CS}$ High Time              | $t_{CSH}$   | 0.5  | -    | $\mu s$ |
| SI Setup Time (w.r.t $\overline{CS}$ ) | $t_{SU}$    | 5.0  | -    | ns      |
| SI Hold Time (w.r.t $\overline{CS}$ )  | $t_{HD}$    | 5.0  | -    | ns      |
| JEDEC Hardware Reset                   | $t_{RESET}$ | -    | 300  | us      |

**Table 29 : JEDEC Reset Operation & Timing : 1.8V Device**

| Parameter                              | Symbol      | Min. | Max. | Units   |
|--|-------------|------|------|---------|
| $\overline{CS}$ Low Time               | $t_{CSL}$   | 0.5  | -    | $\mu s$ |
| $\overline{CS}$ High Time              | $t_{CSH}$   | 0.5  | -    | $\mu s$ |
| SI Setup Time (w.r.t $\overline{CS}$ ) | $t_{SU}$    | 5.0  | -    | ns      |
| SI Hold Time (w.r.t $\overline{CS}$ )  | $t_{HD}$    | 5.0  | -    | ns      |
| JEDEC Hardware Reset                   | $t_{RESET}$ | -    | 2.0  | ms      |



## Electrical Specifications

### Absolute Maximum Ratings

Stresses greater than those listed may cause permanent damage to the device.

This is a stress rating only. Exposure to maximum rating for extended periods may adversely affect reliability.

**Table 30 : Absolute Maximum Ratings**

| Parameter   | Min.  | Max. | Units |
|---|---|------|-------|
| Voltage on Vcc Supply Relative to VSS : 3.3V Device | -0.5  | 3.8  | V     |
| Voltage on Any Pin relative to VSS : 3.3V Device    | -0.5  | 3.8  | V     |
| Voltage on Vcc Supply Relative to VSS : 1.8V Device | -0.5  | 2.35 | V     |
| Voltage on Any Pin relative to VSS : 1.8V Device    | -0.5  | 2.35 | V     |
| Storage Temperature                                 | -55   | 150  | °C    |
| Operating Ambient Temperature                       | -40   | 85   | °C    |
| ESD HBM (Human Body Model)                          | ≥  2000 V   |      | V     |
| ESD CDM (Charged Device Model)                      | ≥  500 V  |      | V     |
| Solder Reflow Process                               | JEDEC J-STD-020 reflow profiles<br>- Peak temperature ≤ 260°C<br>- The time above 255°C ≤ 30 seconds<br>- Reflow cycles ≤ 3 times |      |       |

### Endurance, Retention and Magnetic Immunity

**Table 31 : Endurance, Retention and Magnetic Immunity**

| Parameter                           | Conditions | Min.             | Max.   | Units  |
|-------------------------------------|------------|------------------|--------|--------|
| Write Endurance                     | -25°C      | 10 <sup>14</sup> | -      | cycles |
| Data Retention                      | 85°C       | 10               | -      | years  |
| Magnetic Field During Write or Read | -          | -                | 24,000 | A/m    |

## Recommended Operating Conditions

**Table 32 : Recommended Operating Conditions**

| Parameter / Condition            | Min.       | Typ. | Max. | Units |    |
|----------------------------------|------------|------|------|-------|----|
| Operating Temperature            | Commercial | 0    | 25   | 70    | °C |
|                                  | Industrial | -40  | 25   | 85    | °C |
| Vcc Supply Voltage : 3.3V Device | 2.7        | 3.3  | 3.6  | V     |    |
| Vcc Supply Voltage : 1.8V Device | 1.71       | 1.8  | 1.98 | V     |    |
| Vss Supply Voltage               | 0.0        | 0.0  | 0.0  | V     |    |

## Pin Capacitance

**Table 33 : Pin Capacitance**

| Parameter                    | Conditions                                    | Typ. | Max. | Units |
|------------------------------|---|------|------|-------|
| Input Pin Capacitance        | TEMP = 25°C; f = 1 MHz; V <sub>IN</sub> = 0V  | -    | 6    | pF    |
| Input/Output Pin Capacitance | TEMP = 25°C; f = 1 MHz; V <sub>I/O</sub> = 0V | -    | 10   | pF    |

Note : Capacitance is sampled and not 100% tested

## AC Test Condition

**Table 34 : AC Test Conditions**

| Parameter                                  | Value       |
|--|-------------|
| Input pulse levels                         | 0.0V to Vcc |
| Input rise and fall times                  | 1ns/1V      |
| Input and output measurement timing levels | Vcc/2       |
| Output Load                                | CL = 30pF   |

## DC Characteristics

**Table 35 : DC Characteristics : 3.3V Device**

| Parameter                 | Symbol     | Test Conditions   | 2.7V-3.6V |      |         | Units   |
|---------------------------|------------|---|-----------|------|---------|---------|
|                           |            |   | Min.      | Typ. | Max.    |         |
| Input Leakage Current     | $I_{LI}$   | $V_{IN} = 0$ to $V_{CC}$ (max)  | -2        | -    | 2       | $\mu A$ |
| Output Leakage Current    | $I_{LO}$   | $V_{OUT} = 0$ to $V_{CC}$ (max)                                       | -2        | -    | 2       | $\mu A$ |
| Read Current (1-1-1)      | $I_{CCR1}$ | SDR=54MHz, DDR=27MHz<br>$\overline{CS}=0$ , CLK=0/Vcc, $I_{OUT}=0mA$  | -         | 4    | 6       | mA      |
| Read Current (2-2-2)      | $I_{CCR2}$ |   | -         | 5    | 7       | mA      |
| Read Current (4-4-4)      | $I_{CCR3}$ |   | -         | 7    | 9       | mA      |
| Read Current (1-1-1)      | $I_{CCR4}$ | SDR=108MHz, DDR=54MHz<br>$\overline{CS}=0$ , CLK=0/Vcc, $I_{OUT}=0mA$ | -         | 6    | 8       | mA      |
| Read Current (2-2-2)      | $I_{CCR5}$ |   | -         | 8    | 10      | mA      |
| Read Current (4-4-4)      | $I_{CCR6}$ |   | -         | 12   | 16      | mA      |
| Write Current (1-1-1)     | $I_{CCW1}$ | SDR=54MHz, DDR=27MHz<br>$\overline{CS}=0$ , CLK=0/Vcc, I/O=0/Vcc      | -         | 6    | 8       | mA      |
| Write Current (2-2-2)     | $I_{CCW2}$ |   | -         | 10   | 12      | mA      |
| Write Current (4-4-4)     | $I_{CCW3}$ |   | -         | 15   | 19      | mA      |
| Write Current (1-1-1)     | $I_{CCW4}$ | SDR=108MHz, DDR=54MHz<br>$\overline{CS}=0$ , CLK=0/Vcc, I/O=0/Vcc     | -         | 10   | 12      | mA      |
| Write Current (2-2-2)     | $I_{CCW5}$ |   | -         | 16   | 20      | mA      |
| Write Current (4-4-4)     | $I_{CCW6}$ |   | -         | 28   | 34      | mA      |
| Standby Current           | $I_{SB}$   | CLK=0, $\overline{CS} = V_{CC}$ , I/O=0/Vcc                           | -         | 660  | 950     | $\mu A$ |
| Deep Power Down Current   | $I_{DPD}$  | CLK=0, $\overline{CS} = V_{CC}$ , I/O=0/Vcc                           | -         | 170  | 380     | $\mu A$ |
| Input High Voltage        | $V_{IH}$   | -   | 0.7xVcc   | -    | Vcc+0.3 | V       |
| Input Low Voltage         | $V_{IL}$   | -   | -0.3      | -    | 0.2xVcc | V       |
| Output High Voltage Level | $V_{OH}$   | $I_{OH} = -1mA$   | 2.4       | -    | -       | V       |
| Output Low Voltage Level  | $V_{OL}$   | $I_{OL} = 2mA$  | -         | -    | 0.4     | V       |

## DC Characteristics

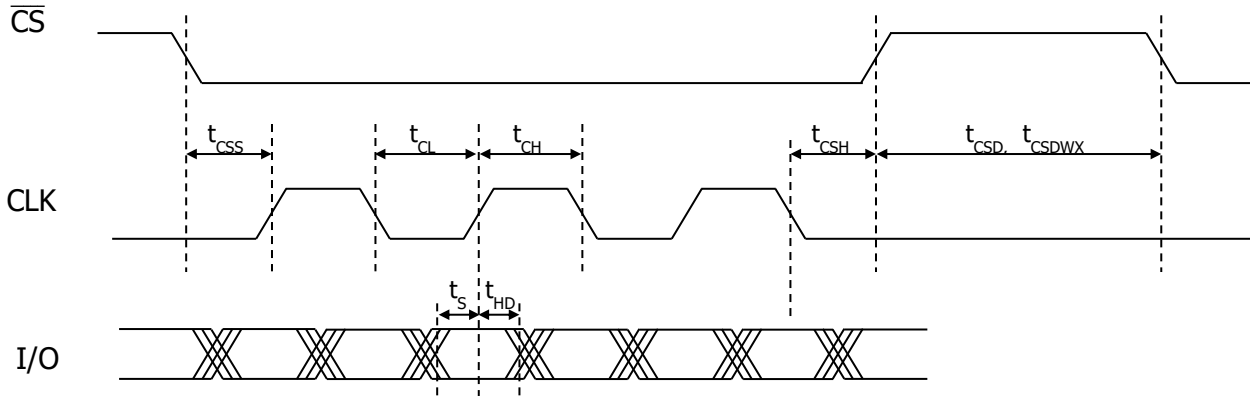
**Table 36 : DC Characteristics : 1.8V Device**

| Parameter                 | Symbol     | Test Conditions  | 1.71V~1.98V         |      |                      | Units   |
|---------------------------|------------|--|---------------------|------|----------------------|---------|
|                           |            |  | Min.                | Typ. | Max.                 |         |
| Input Leakage Current     | $I_{LI}$   | $V_{IN} = 0$ to $V_{CC}$ (max)   | -2                  | -    | 2                    | $\mu A$ |
| Output Leakage Current    | $I_{LO}$   | $V_{OUT} = 0$ to $V_{CC}$ (max)  | -2                  | -    | 2                    | $\mu A$ |
| Read Current (1-1-1)      | $I_{CCR1}$ | SDR=54MHz, DDR=27MHz<br>$\overline{CS}=0$ , CLK=0/V <sub>CC</sub> , I <sub>OUT</sub> =0mA  | -                   | 3    | 5                    | mA      |
| Read Current (2-2-2)      | $I_{CCR2}$ |  | -                   | 4    | 6                    | mA      |
| Read Current (4-4-4)      | $I_{CCR3}$ |  | -                   | 5    | 7                    | mA      |
| Read Current (1-1-1)      | $I_{CCR4}$ | SDR=108MHz, DDR=54MHz<br>$\overline{CS}=0$ , CLK=0/V <sub>CC</sub> , I <sub>OUT</sub> =0mA | -                   | 5    | 7                    | mA      |
| Read Current (2-2-2)      | $I_{CCR5}$ |  | -                   | 6    | 8                    | mA      |
| Read Current (4-4-4)      | $I_{CCR6}$ |  | -                   | 9    | 12                   | mA      |
| Write Current (1-1-1)     | $I_{CCW1}$ | SDR=54MHz, DDR=27MHz<br>$\overline{CS}=0$ , CLK=0/V <sub>CC</sub> , I/O=0/V <sub>CC</sub>  | -                   | 5    | 7                    | mA      |
| Write Current (2-2-2)     | $I_{CCW2}$ |  | -                   | 8    | 10                   | mA      |
| Write Current (4-4-4)     | $I_{CCW3}$ |  | -                   | 14   | 18                   | mA      |
| Write Current (1-1-1)     | $I_{CCW4}$ | SDR=108MHz, DDR=54MHz<br>$\overline{CS}=0$ , CLK=0/V <sub>CC</sub> , I/O=0/V <sub>CC</sub> | -                   | 9    | 11                   | mA      |
| Write Current (2-2-2)     | $I_{CCW5}$ |  | -                   | 15   | 19                   | mA      |
| Write Current (4-4-4)     | $I_{CCW6}$ |  | -                   | 25   | 30                   | mA      |
| Standby Current           | $I_{SB}$   | CLK=0, $\overline{CS} = V_{CC}$ , I/O=0/V <sub>CC</sub>                                    | -                   | 560  | 900                  | $\mu A$ |
| Deep Power Down Current   | $I_{DPD}$  | CLK=0, $\overline{CS} = V_{CC}$ , I/O=0/V <sub>CC</sub>                                    | -                   | 60   | 280                  | $\mu A$ |
| Input High Voltage        | $V_{IH}$   | -  | 0.7xV <sub>CC</sub> | -    | V <sub>CC</sub> +0.3 | V       |
| Input Low Voltage         | $V_{IL}$   | -  | -0.3                | -    | 0.3xV <sub>CC</sub>  | V       |
| Output High Voltage Level | $V_{OH}$   | I <sub>OH</sub> = -1mA   | 1.4                 | -    | -                    | V       |
| Output Low Voltage Level  | $V_{OL}$   | I <sub>OL</sub> = 2mA  | -                   | -    | 0.4                  | V       |

## AC Timing Characteristics

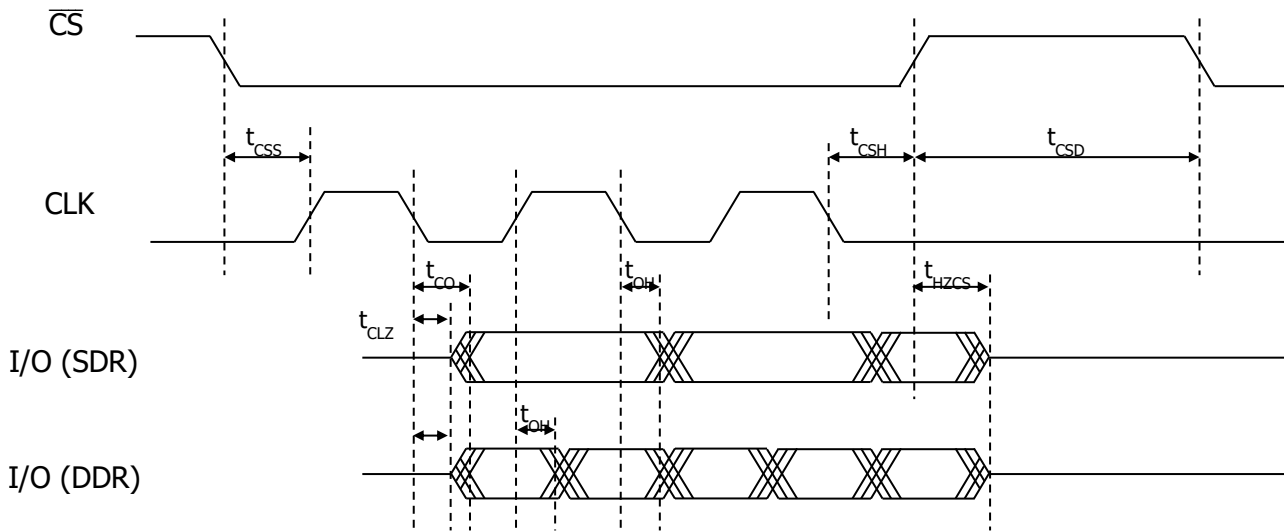
### Synchronous Input Timing

Figure 21 : Synchronous Input Timing (SDR/DDR)



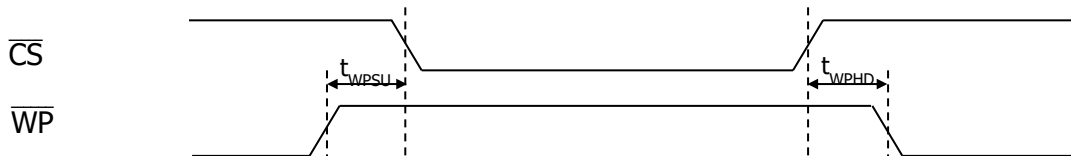
### Synchronous Data Output Timing

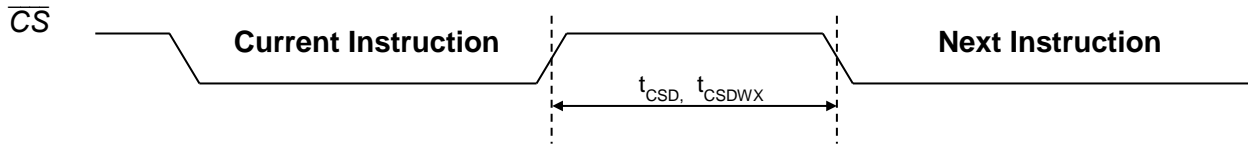
Figure 22 : Synchronous Data Output Timing (SDR/DDR)



### WP Timing

Figure 23 : WP Operation Timing



**$\overline{CS}$  High Time**
**Figure 24 :  $\overline{CS}$  High Timing**

**Table 37 :  $\overline{CS}$  High Time after Write Instruction : SDR=108MHz/DDR=54MHz**

| Current Instruction : Main Array Write | Next Instruction : Main Array Read or Write | Symbol      | Min. | Units |
|--|---|-------------|------|-------|
| (1-1-1), (1-x-2)                       | (1-1-x)                                     | $t_{CSDW1}$ | 20   | ns    |
| (1-1-1), (1-x-2)                       | (1-2-2)                                     | $t_{CSDW2}$ | 130  | ns    |
| (1-x-4)                                | (1-1-x)                                     | $t_{CSDW3}$ | 130  | ns    |
| (1-1-1), (1-x-2)                       | (1-4-4)                                     | $t_{CSDW4}$ | 190  | ns    |
| (1-x-4)                                | (1-2-2), (1-4-4)                            | $t_{CSDW5}$ | 300  | ns    |
| (2-2-2)                                | (2-2-2)                                     | $t_{CSDW6}$ | 170  | ns    |
| (4-4-4)                                | (4-4-4)                                     | $t_{CSDW7}$ | 350  | ns    |

**Table 38 :  $\overline{CS}$  High Time after Write Instruction : SDR=54MHz/DDR=27MHz**

| Current Instruction : Main Array Write | Next Instruction : Main Array Read or Write | Symbol       | Min. | Units |
|--|---|--------------|------|-------|
| (X-X-X)                                | (1-4-4)                                     | $t_{CSDW8}$  | 70   | ns    |
| (2-2-2)                                | (2-2-2)                                     | $t_{CSDW9}$  | 70   | ns    |
| (4-4-4)                                | (4-4-4)                                     | $t_{CSDW10}$ | 180  | ns    |
| Others                                 |   | $t_{CSDW11}$ | 20   | ns    |

**Table 39 :  $\overline{CS}$  High Time after Register/Augmented 512-Byte Area Write Instruction**

| Current Instruction                        | Next Instruction                                     | Symbol       | Min. | Units |
|--|--|--------------|------|-------|
| Main Array Write Instruction               | Register Read/Write<br>Augmented 512-Byte Read/Write | $t_{CSDW12}$ | 500  | ns    |
| Register Write<br>Augmented 512-Byte Write | Any Instructions                                     | $t_{CSDW13}$ | 1000 | ns    |

## AC Timing Parameters

**Table 40 : AC Timing Parameter**

| Parameter  | Symbol      | Min.                      | Max. | Units |
|--|-------------|---------------------------|------|-------|
| Clock Frequency – SDR  | $f_{CLK}$   | 1                         | 108  | MHz   |
| Clock Frequency – DDR  | $f_{CLK}$   | 1                         | 54   | MHz   |
| Clock Low Time   | $t_{CL}$    | $0.45 * 1/ f_{CLK}$       | -    | ns    |
| Clock High Time  | $t_{CH}$    | $0.45 * 1/ f_{CLK}$       | -    | ns    |
| $\overline{CS}$ Setup Time                                     | $t_{CSS}$   | 5                         | -    | ns    |
| $\overline{CS}$ Hold Time                                      | $t_{CSH}$   | 4                         | -    | ns    |
| $\overline{CS}$ High Time after Any Instruction (except Write) | $t_{CSD}$   | 20                        | -    | ns    |
| $\overline{CS}$ High Time after Write Instruction              | $t_{CSDWx}$ | Refer to Table 37, 38, 39 |      | ns    |
| Data Setup Time  | $t_{SU}$    | 2                         | -    | ns    |
| Data Hold Time   | $t_{HD}$    | 2                         | -    | ns    |
| CLK Low to Output Valid  | $t_{CO}$    | -                         | 7.0  | ns    |
| CLK to Output Hold Time  | $t_{OH}$    | 2.0                       | -    | ns    |
| CLK Low to Output Low Z (Read)                                 | $t_{CLZ}$   | 2.0                       | -    | ns    |
| $\overline{CS}$ High to Output High Z                          | $t_{HZCS}$  | -                         | 6.0  | ns    |
| $\overline{WP}$ Setup Time                                     | $t_{WPSU}$  | 20                        | -    | ns    |
| $\overline{WP}$ Hold Time                                      | $t_{WPHD}$  | 20                        | -    | ns    |
| $\overline{CS}$ High to Power-down mode                        | $t_{EDPD}$  | -                         | 1    | us    |
| $\overline{CS}$ High to Power-down mode exit                   | $t_{EXDPD}$ | -                         | 25   | us    |
| $\overline{CS}$ Low time to exit Power-down mode               | $t_{CSDPD}$ | 50                        | -    | ns    |
| Software Reset Time (3.3V Device)                              | $t_{SRST}$  | -                         | 0.3  | ms    |
| Software Reset Time (1.8V Device)                              | $t_{SRST}$  | -                         | 2.0  | ms    |

## Thermal Resistance

**Table 41 : Thermal Resistance**

| Parameter     | Description                              | 8-pad WSON | 8-pin SOIC | Unit |
|---------------|--|------------|------------|------|
| $\theta_{JA}$ | Thermal resistance (junction to ambient) | 30.6       | 93.9       | °C/W |
| $\theta_{JC}$ | Thermal resistance (junction to case)    | 19.0       | 31.9       |      |

**Notes:**

1: These parameters are guaranteed by characterization; not tested in production.

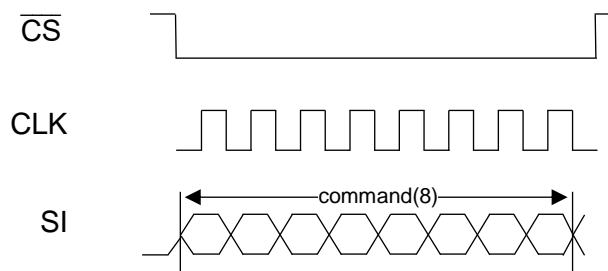


## Timing Description of Instruction Sets

### Single SPI – SDR (Command-Address-Data)

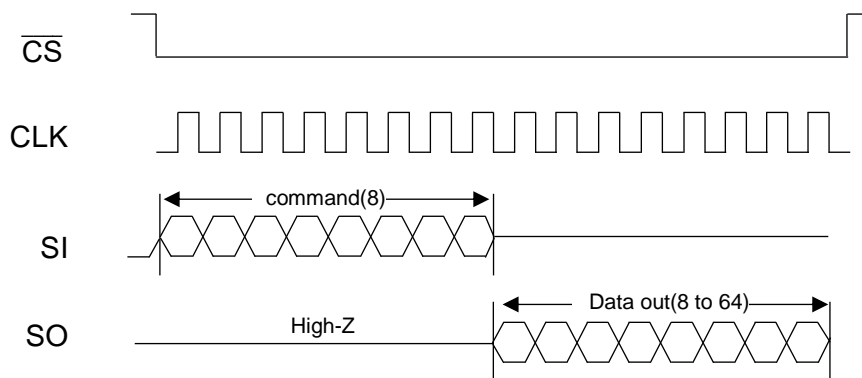
- Instruction 1-0-0 ; NOOP, WREN, WRDI, DPIE, QPIE, DPDE, DPDX, SRTE, SRST

**Figure 25 : Timing Description of 1-0-0 Instruction Type**



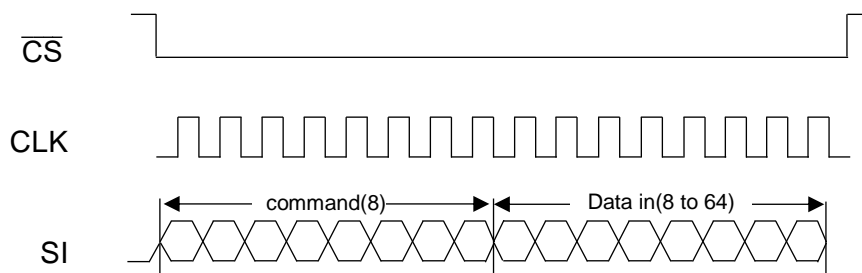
- Instruction 1-0-1 ; RDSR, RDC1, RDC2, RDC3, RDC4, RDCX, RDID, RUID, RDSN, RDAP

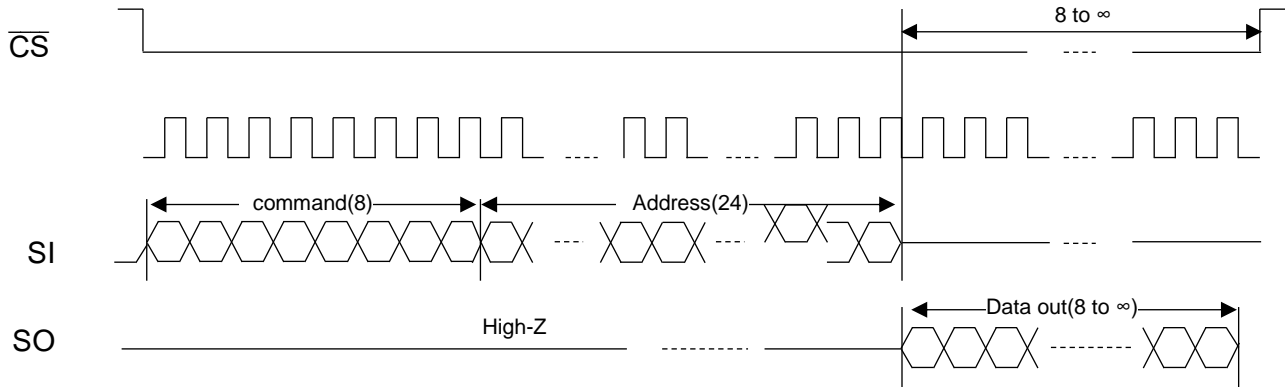
**Figure 26 : Timing Description of 1-0-1 Instruction Type (Read)**



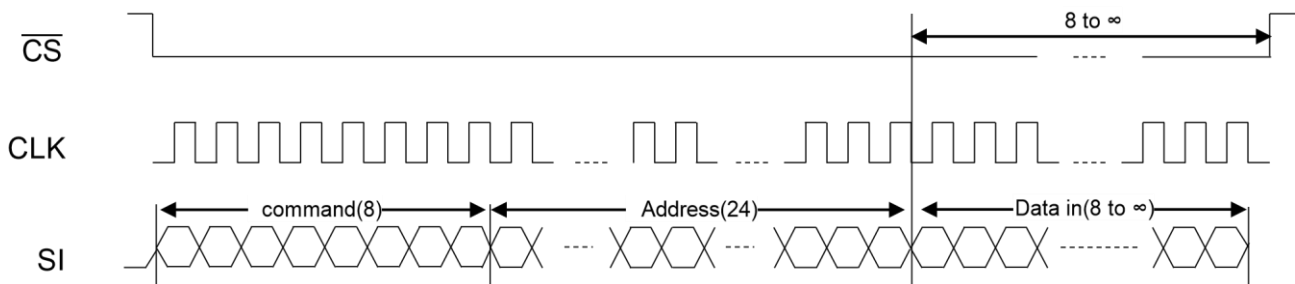
- Instruction 1-0-1 ; WRSR, WRCX, WRSN, WRAP

**Figure 27 : Timing Description of 1-0-1 Instruction Type (Write)**

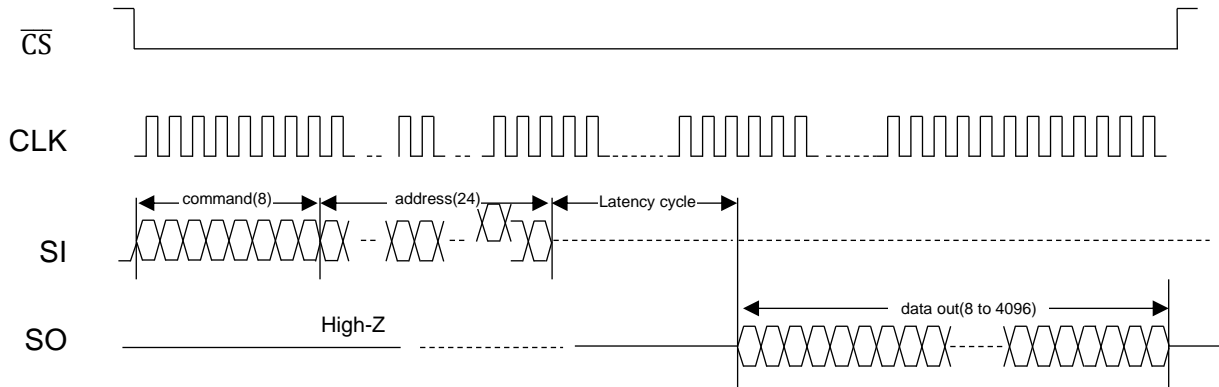
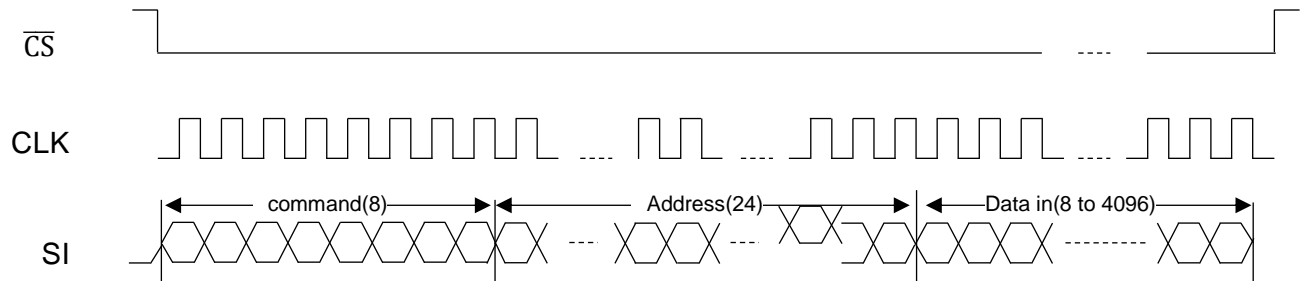


**- Instruction 1-1-1 ; READ(03h)**
**Figure 28 : Timing Description of 1-1-1 Instruction Type (Read without XIP)**

**Notes:**

As long as  $\overline{CS}$  stays in low and  $CLK$  keeps toggling, next target address is incremented automatically and the device keeps outputting data from memory array.

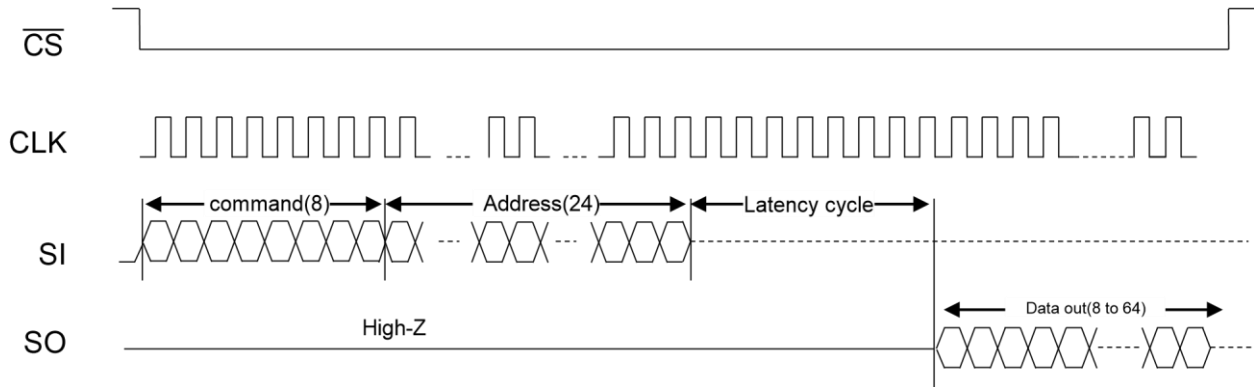
**- Instruction 1-1-1 ; WRTE(02h)**
**Figure 29 : Timing Description of 1-1-1 Instruction Type (Write)**

**Notes:**

As long as  $\overline{CS}$  stays in low and  $CLK$  keeps toggling, next target address is incremented automatically and the device keeps writing data to memory array.

**- Instruction 1-1-1 ; RDAS**
**Figure 30 : Timing Description of 1-1-1 Augmented 512-byte Area (Read)**

**- Instruction 1-1-1 ; WRAS**
**Figure 31 : Timing Description of 1-1-1 Augmented 512-byte Area (Write)**


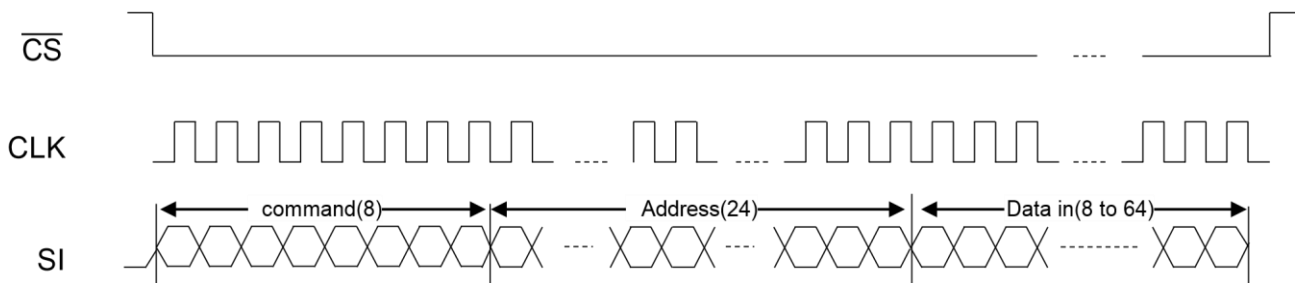
- Instruction 1-1-1 ; RDAR

Figure 32 : Timing Description of 1-1-1 Any Register Instruction Type (Read)



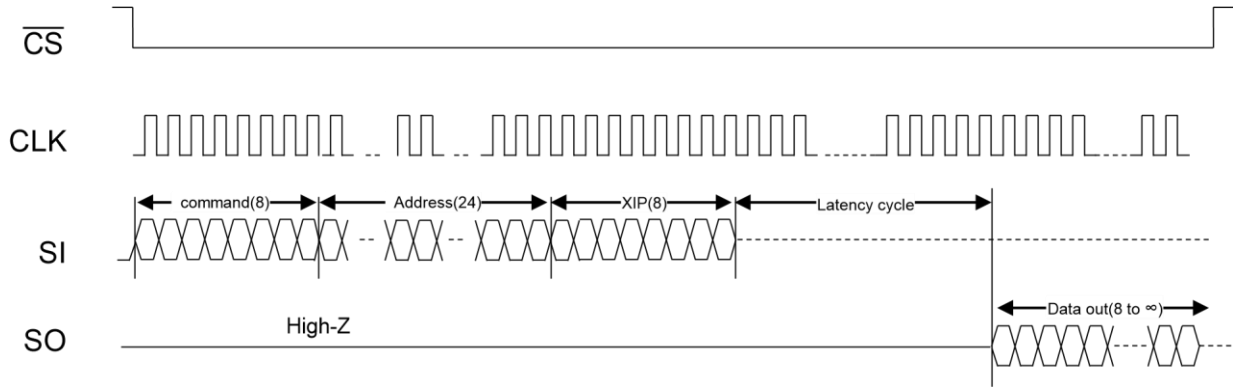
- Instruction 1-1-1 ; WRAR

Figure 33 : Timing Description of 1-1-1 Any Register Instruction Type (Write)



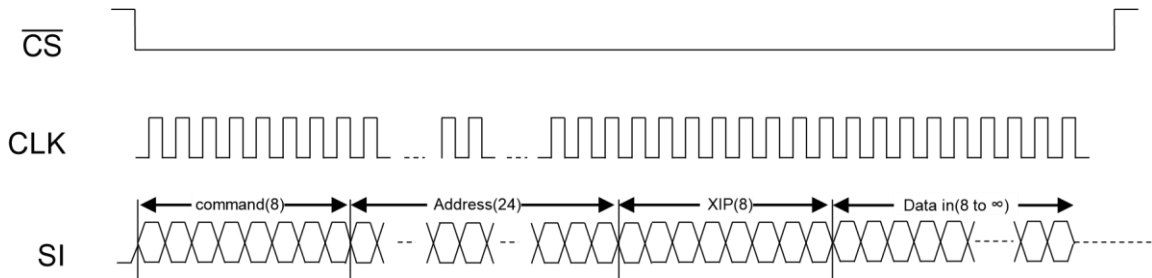
- Instruction 1-1-1 ; RDFT

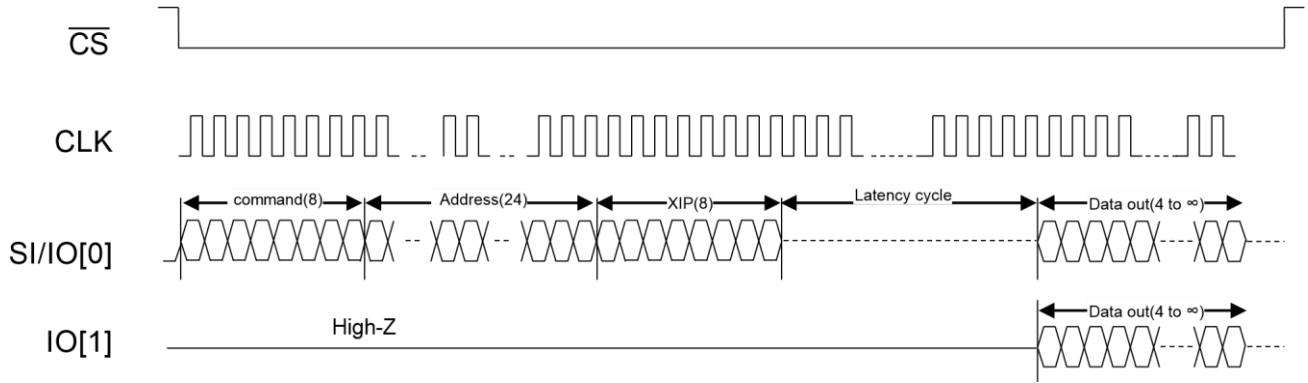
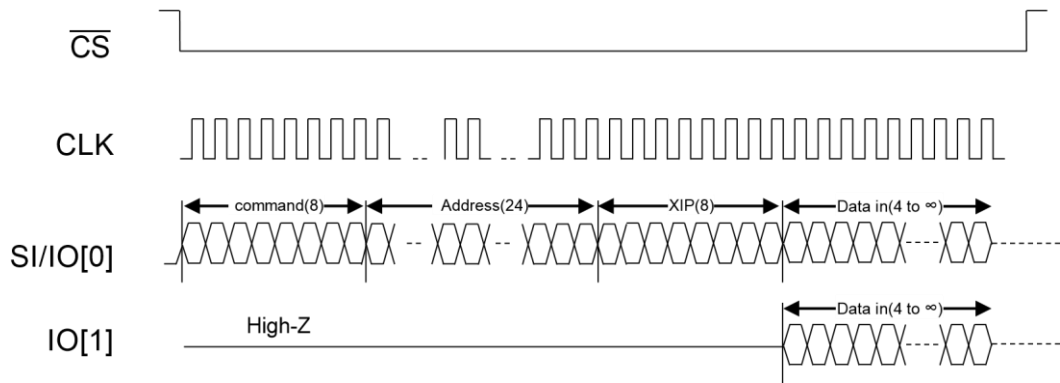
Figure 34 : Timing Description of 1-1-1 Instruction Type (Read with XIP)

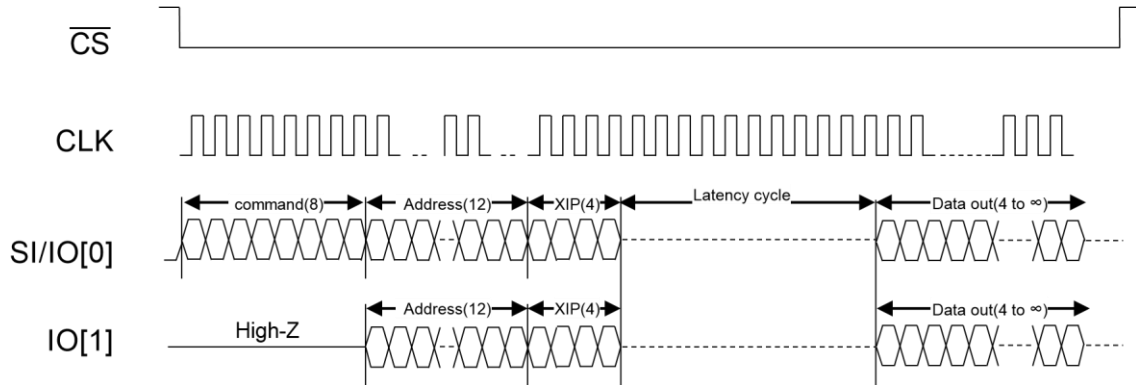
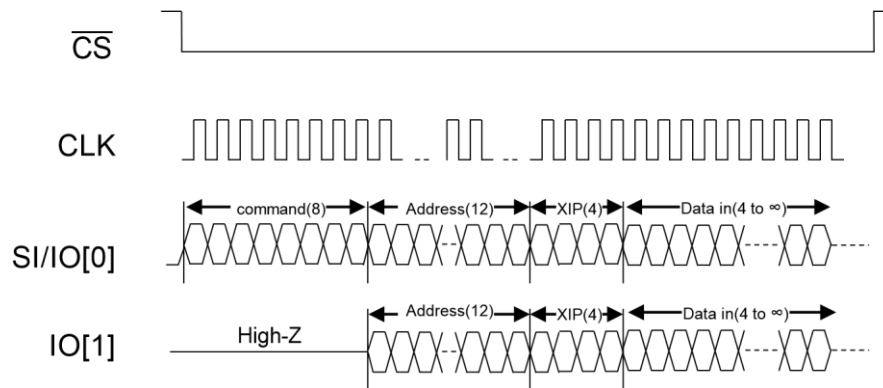


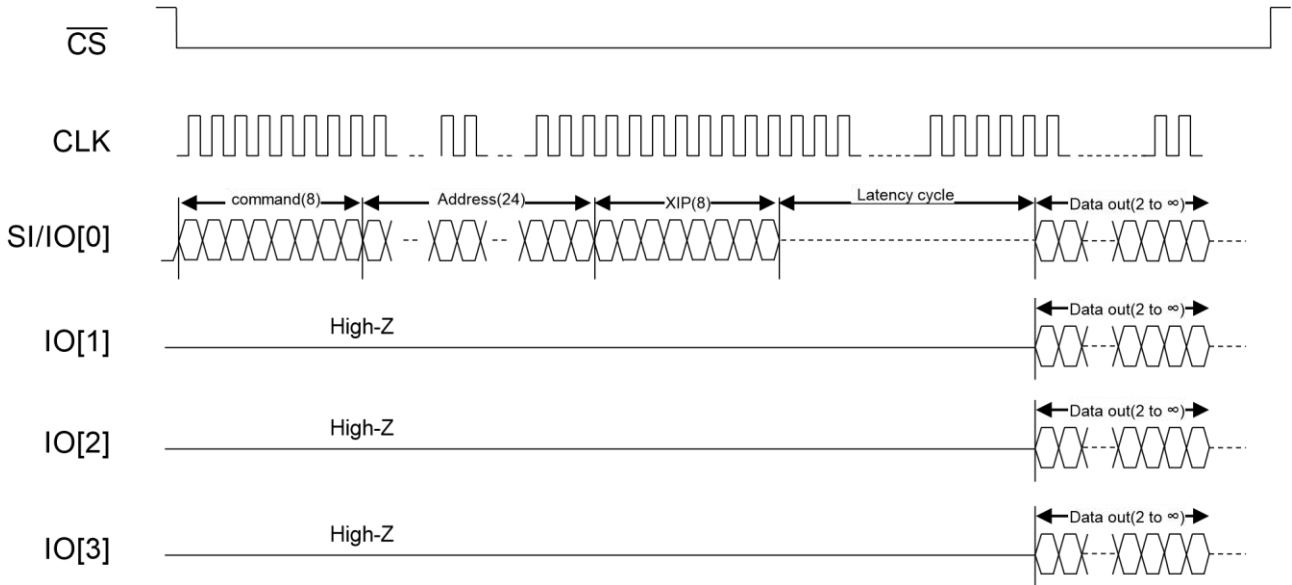
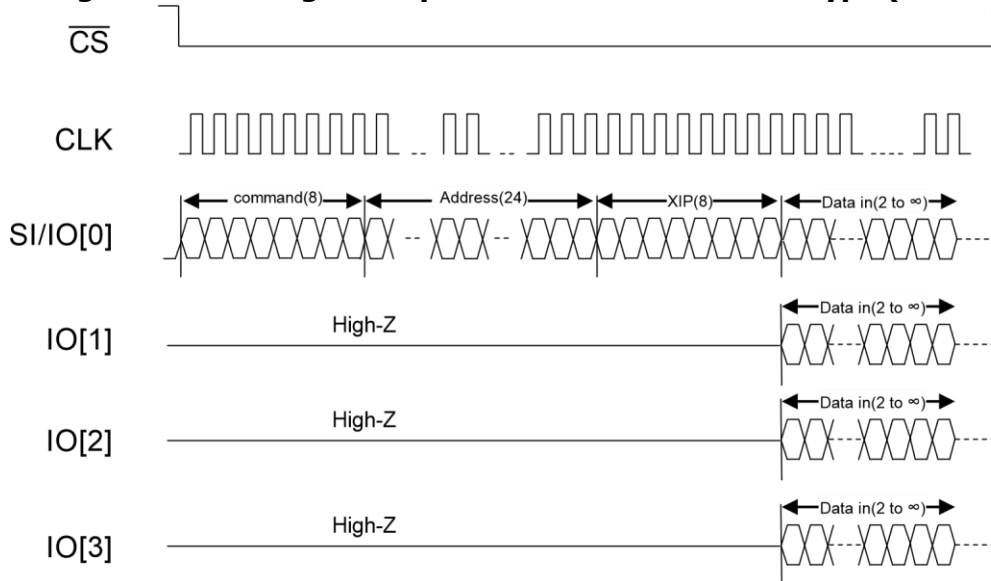
- Instruction 1-1-1 ; WRFT

Figure 35 : Timing Description of 1-1-1 Instruction Type (Write with XIP)

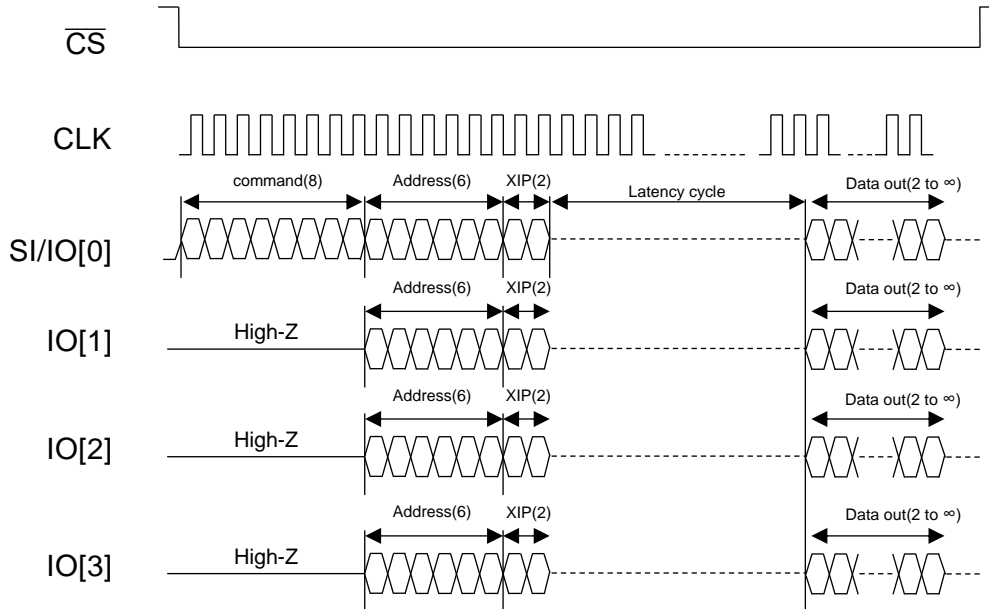
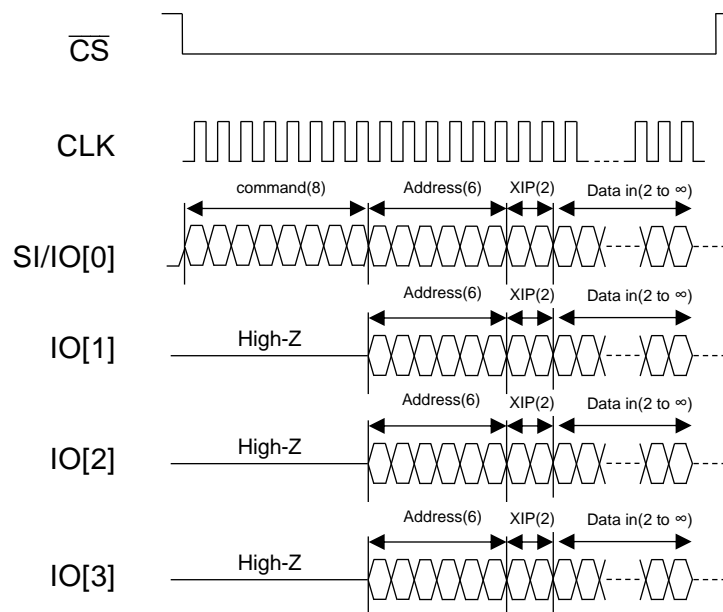


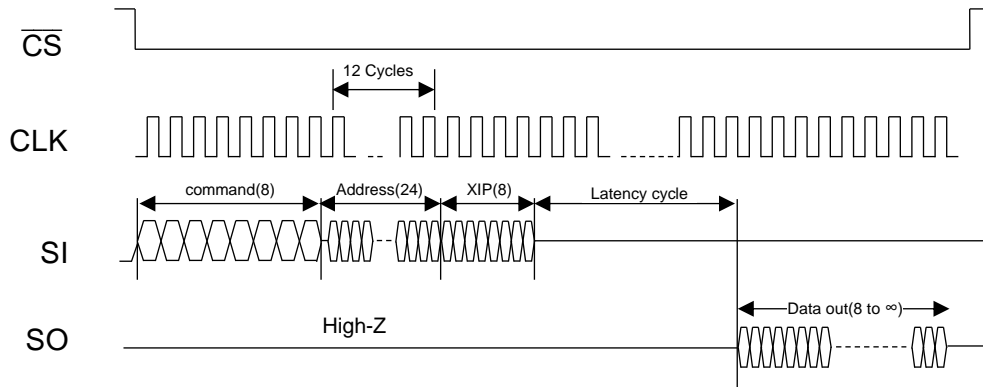
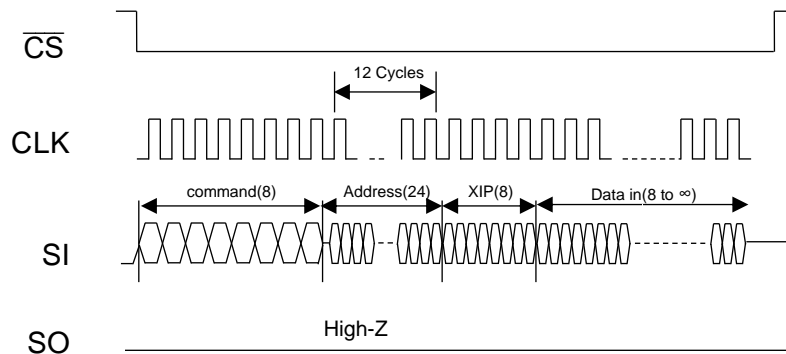
**- Instruction 1-1-2 ; RDDO**
**Figure 36 : Timing Description of 1-1-2 Instruction Type (Read with XIP)**

**- Instruction 1-1-2 ; WDUI**
**Figure 37 : Timing Description of 1-1-2 Instruction Type (Write with XIP)**


**- Instruction 1-1-2 ; RDDO**
**Figure 38 : Timing Description of 1-2-2 Instruction Type (Read with XIP)**

**- Instruction 1-2-2 ; WDIO**
**Figure 39 : Timing Description of 1-2-2 Instruction Type (Write with XIP)**


**- Instruction 1-1-4 ; RDQO**
**Figure 40 : Timing Description of 1-1-4 Instruction Type (Read with XIP)**

**- Instruction 1-1-4 ; WQDI**
**Figure 41 : Timing Description of 1-1-4 Instruction Type (Write with XIP)**


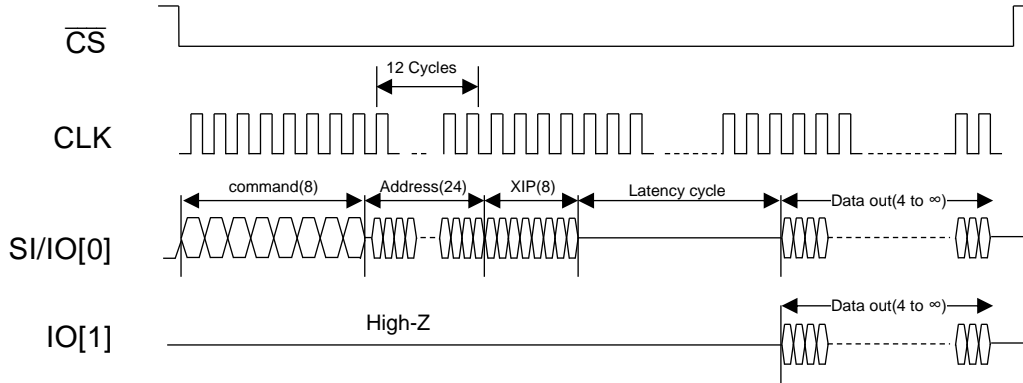


**- Instruction 1-4-4 ; RDQI**
**Figure 42 : Timing Description of 1-4-4 Instruction Type (Read with XIP)**

**- Instruction 1-4-4 ; WQIO**
**Figure 43 : Timing Description of 1-4-4 Instruction Type (Write with XIP)**


**Single SPI - DDR (Command-Address-Data)**
**- Instruction 1-1-1 ; DRFR**
**Figure 44 : Timing Description of 1-1-1 DDR Instruction Type (Read with XIP)**

**- Instruction 1-1-1 ; DRFW**
**Figure 45 : Timing Description of 1-1-1 DDR Instruction Type (Write with XIP)**


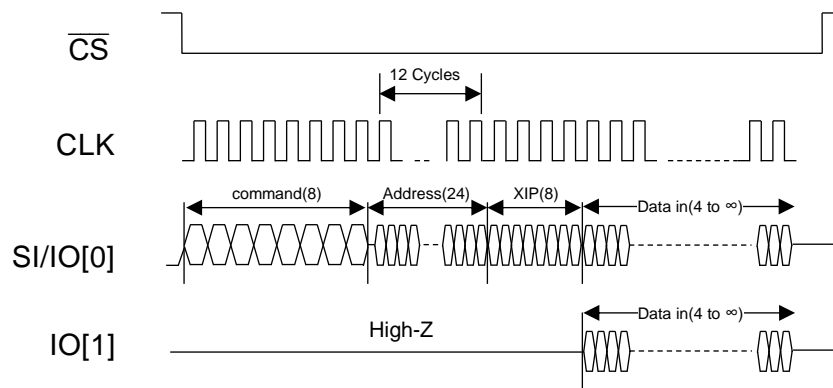
- Instruction 1-1-2 ; DRDO

Figure 46 : Timing Description of 1-1-2 DDR Instruction Type (Read with XIP)



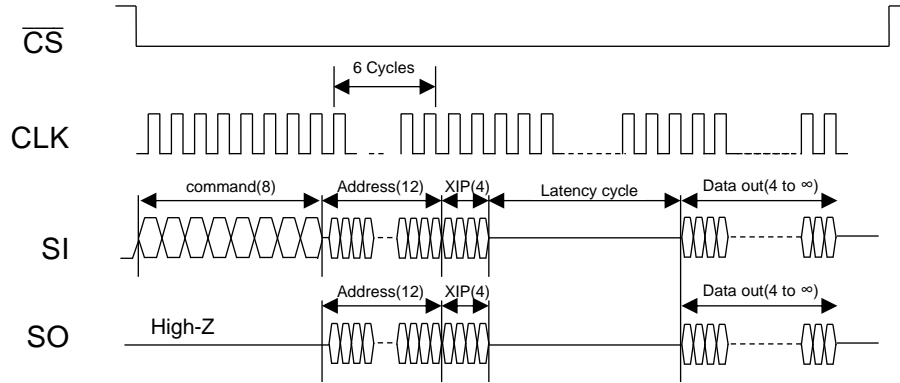
- Instruction 1-1-2 ; DWUI

Figure 47 : Timing Description of 1-1-2 DDR Instruction Type (Write with XIP)



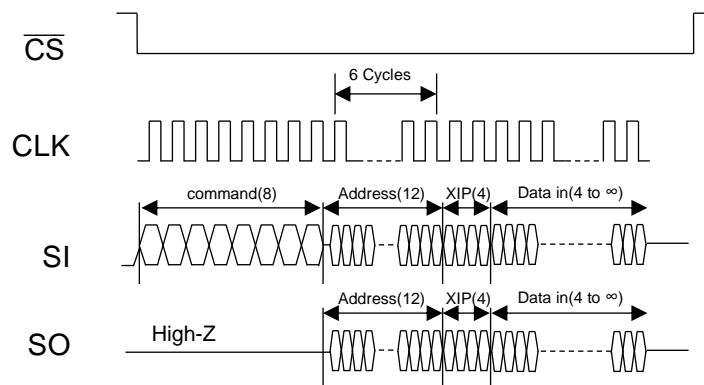
- Instruction 1-2-2 ; DRDI

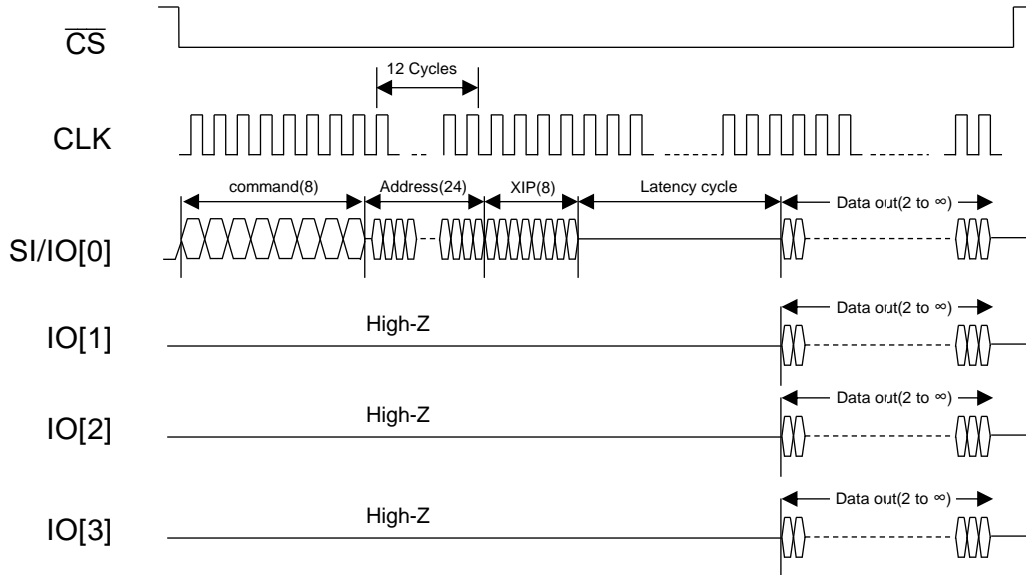
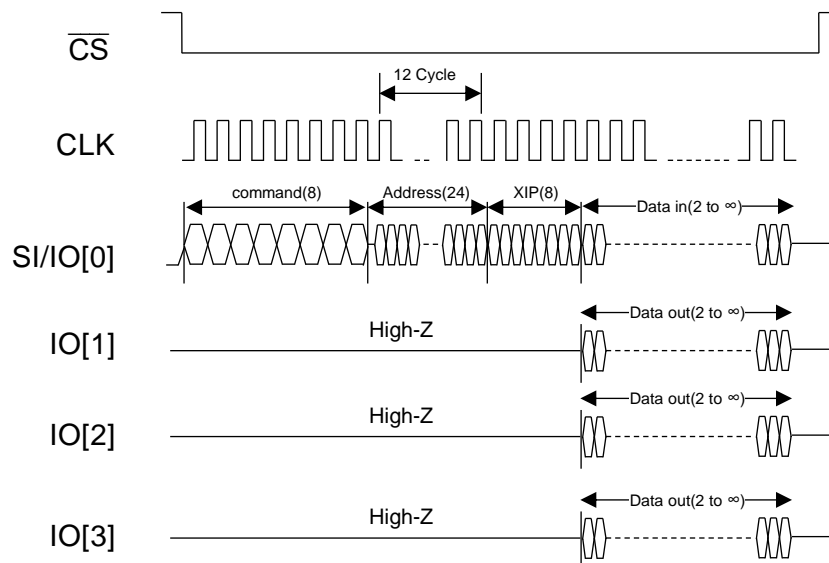
Figure 48 : Timing Description of 1-2-2 DDR Instruction Type (Read with XIP)

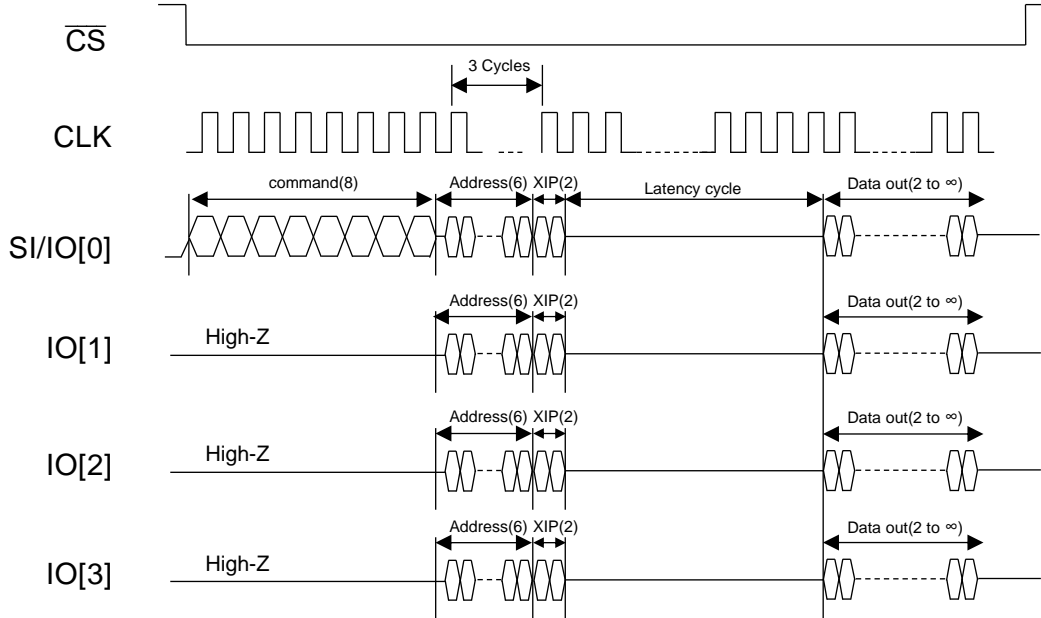
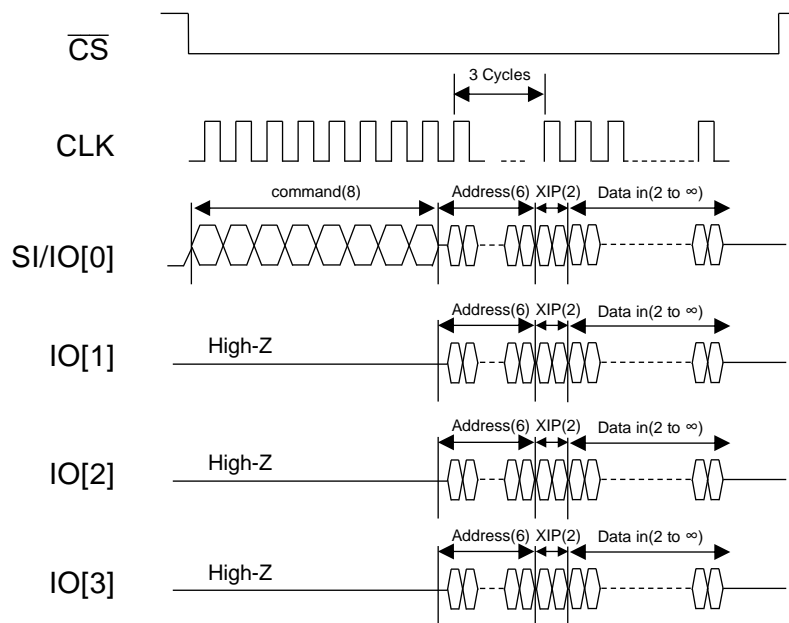


- Instruction 1-2-2 ; DWIO

Figure 49 : Timing Description of 1-2-2 DDR Instruction Type (Write with XIP)



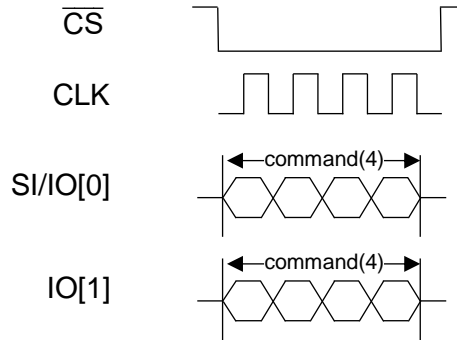
**- Instruction 1-1-4 ; DRQO**
**Figure 50 : Timing Description of 1-1-4 DDR Instruction Type (Read with XIP)**

**- Instruction 1-1-4 ; DWQI**
**Figure 51 : Timing Description of 1-1-4 DDR Instruction Type (Write with XIP)**


**- Instruction 1-4-4 ; DRQI**
**Figure 52 : Timing Description of 1-4-4 DDR Instruction Type (Read with XIP)**

**- Instruction 1-4-4 ; DWQO**
**Figure 53 : Timing Description of 1-4-4 DDR Instruction Type (Write with XIP)**


**Dual SPI – SDR (Command-Address-Data)**

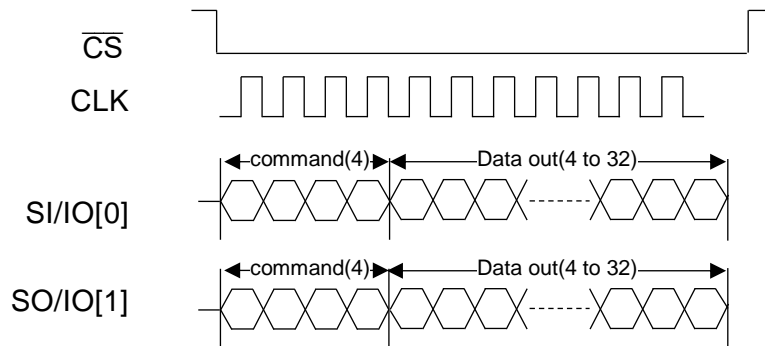
- Instruction 2-0-0 ; NOOP, WREN, WRDI, QPIE, SPIE, DPDE, DPDX, SRTE, SRST

**Figure 54 : Timing Description of 2-0-0 Instruction Type**



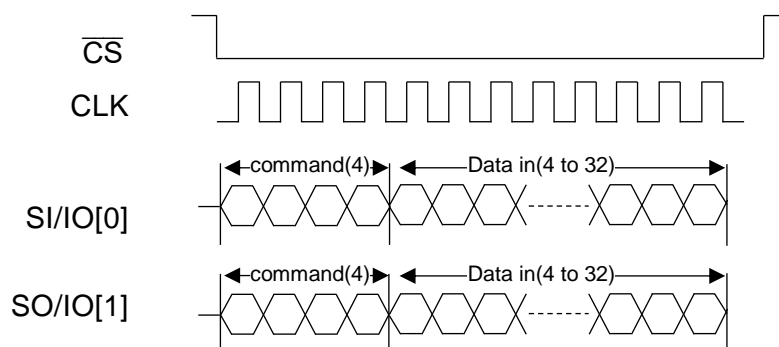
- Instruction 2-0-2 ; RDSR, RDC1, RDC2, RDC3, RDC4, RDCX, RDID, RUID, RDSN, RDAP

**Figure 55 : Timing Description of 2-0-2 Instruction Type (Read)**



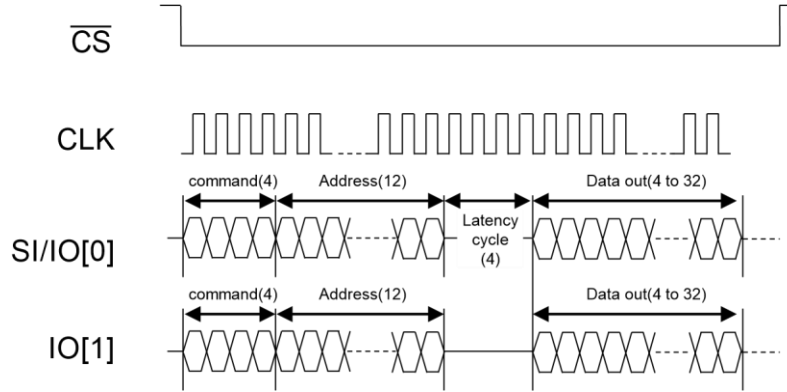
- Instruction 2-0-2 ; WRSR, WRCX, WRSN, WRAP

**Figure 56 : Timing Description of 2-0-2 Instruction Type (Write)**



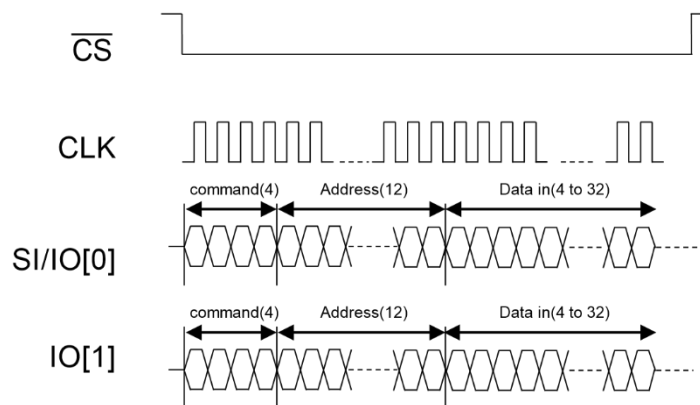
- Instruction 2-2-2 ; RDAR

Figure 57 : Timing Description of 2-2-2 Any Register Instruction Type (Read)

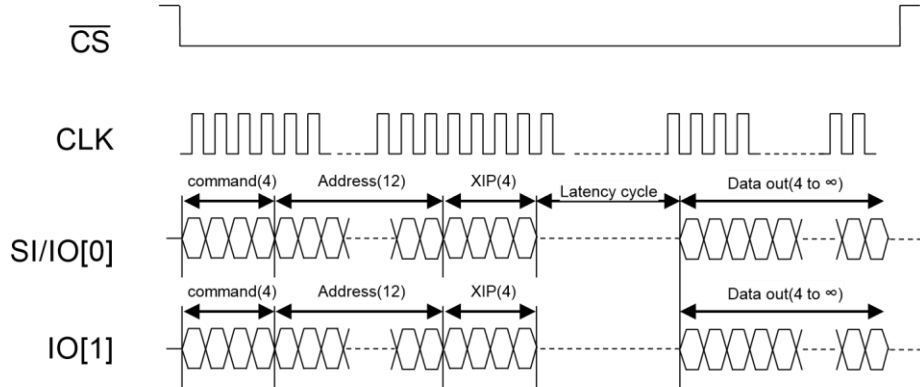
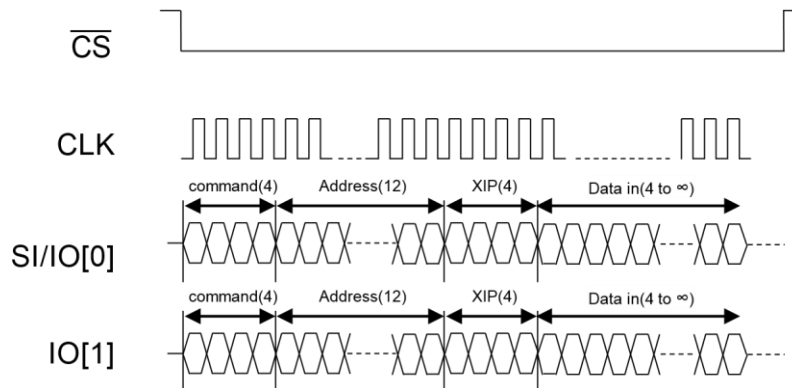


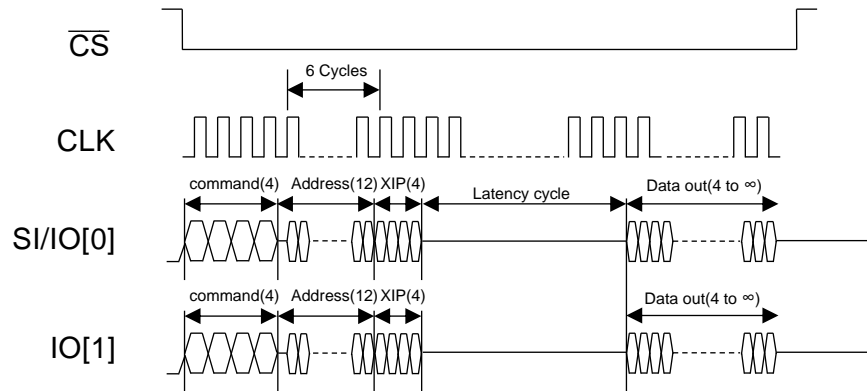
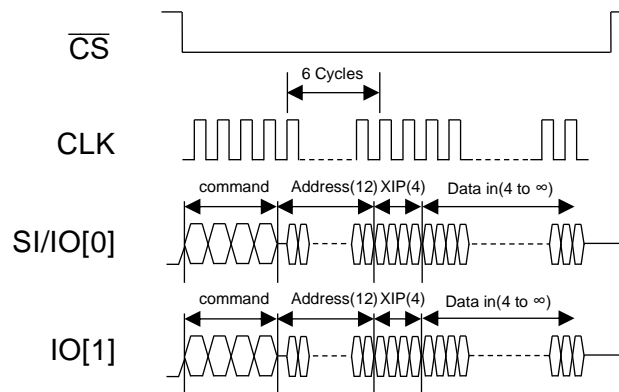
- Instruction 2-2-2 ; WRAR

Figure 58 : Timing Description of 2-2-2 Any Register Instruction Type (Write)





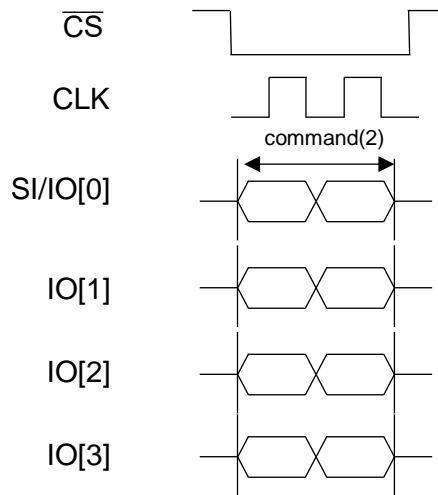
**- Instruction 2-2-2 ; RDFT**
**Figure 59 : Timing Description of 2-2-2 Instruction Type (Read with XIP)**

**- Instruction 2-2-2 ; WRFT**
**Figure 60 : Timing Description of 2-2-2 Instruction Type (Write with XIP)**


**Dual SPI - DDR (Command-Address-Data)**
**- Instruction 2-2-2 ; DRFR**
**Figure 61 : Timing Description of 2-2-2 DDR Instruction Type (Read with XIP)**

**- Instruction 2-2-2 ; DRFW**
**Figure 62 : Timing Description of 2-2-2 DDR Instruction Type (Write with XIP)**


Quad SPI – SDR (Command-Address-Data)

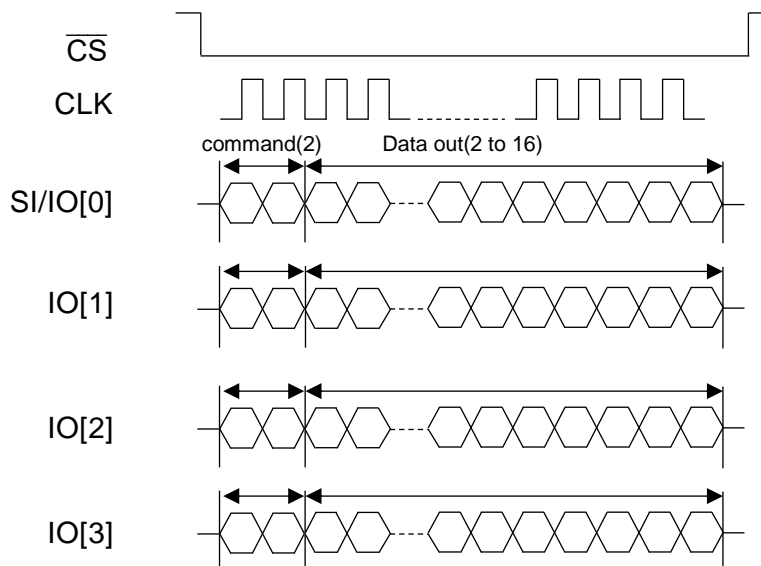
- Instruction 4-0-0 ; NOOP, WREN, WRDI, DPIE, SPIE, DPDE, DPDX, SRTE, SRST

Figure 63 : Timing Description of 4-0-0 Instruction Type



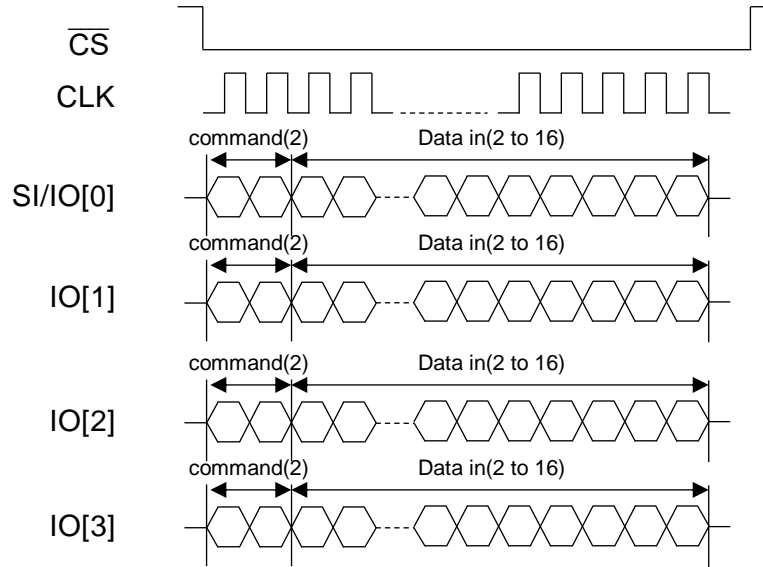
- Instruction 4-0-4 ; RDSR, RDC1, RDC2, RDC3, RDC4, RDCX, RDID, RUID, RDSN, RDAP

Figure 64 : Timing Description of 4-0-4 Instruction Type (Read)



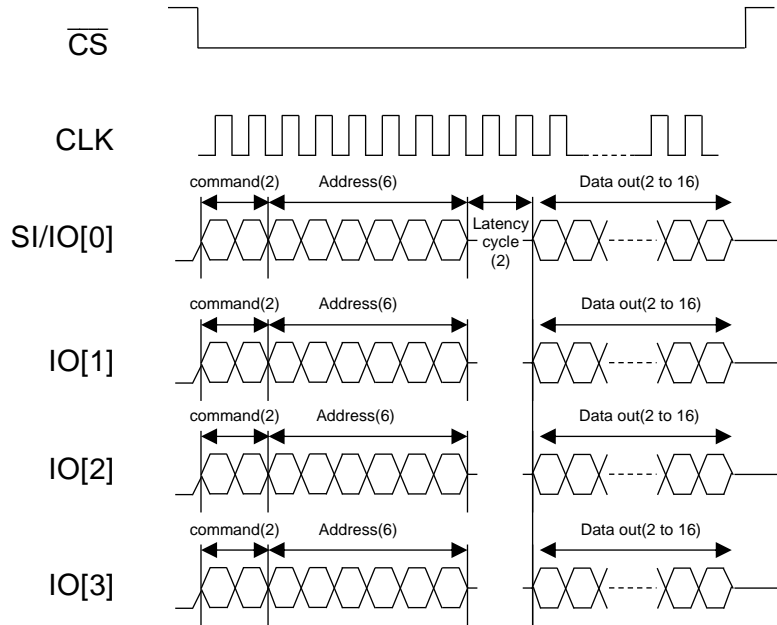
- Instruction 4-0-4 ; WRSR, WRCX, WRSN, WRAP

Figure 65 : Timing Description of 4-0-4 Instruction Type (Write)



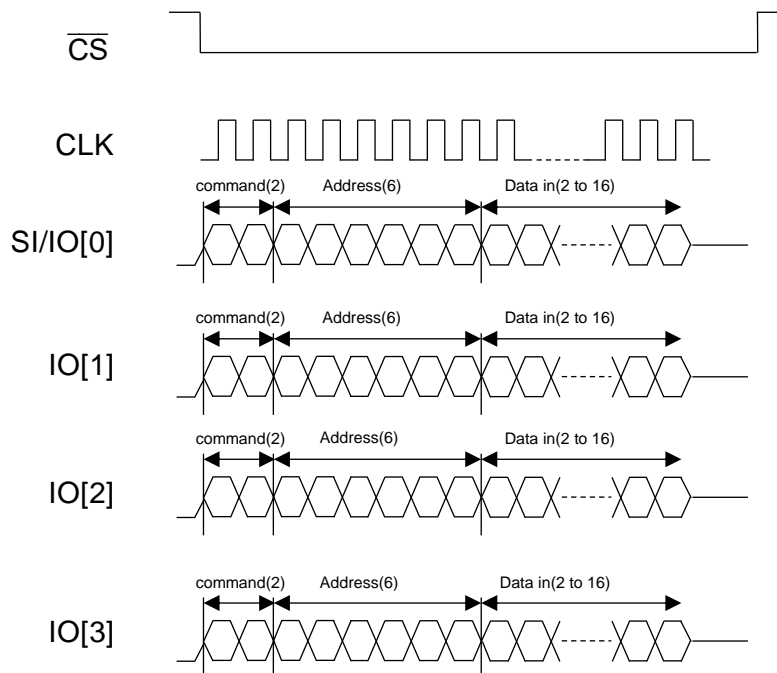
- Instruction 4-4-4 ; RDAR

Figure 66 : Timing Description of 4-4-4 Any Register Instruction Type (Read)



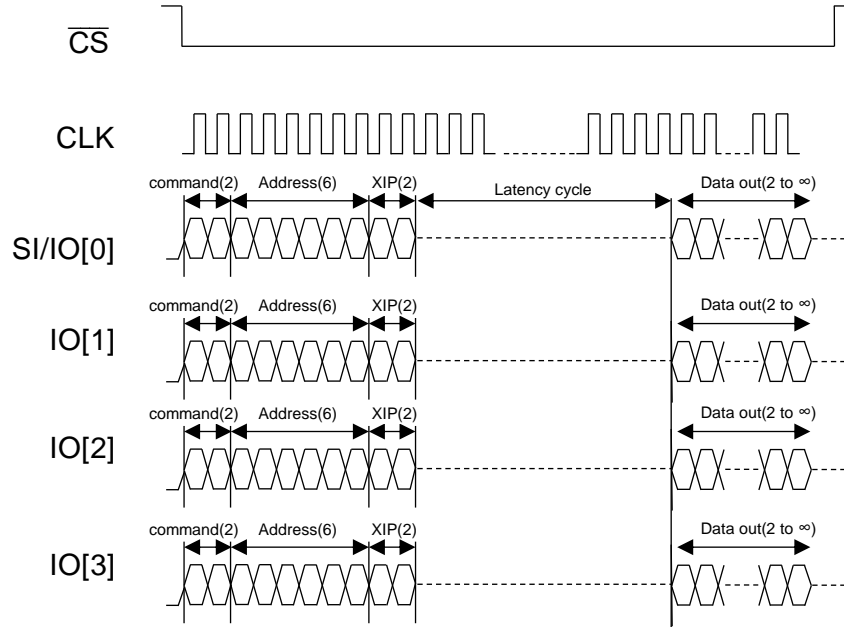
- Instruction 4-4-4 ; WRAR

Figure 67 : Timing Description of 4-4-4 Any Register Instruction Type (Write)



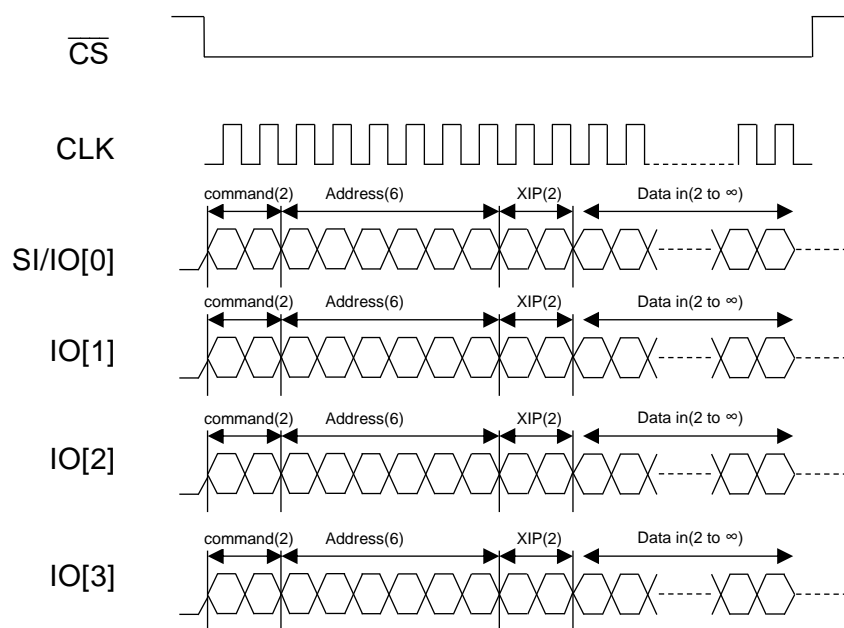
- Instruction 4-4-4 ; RDFT

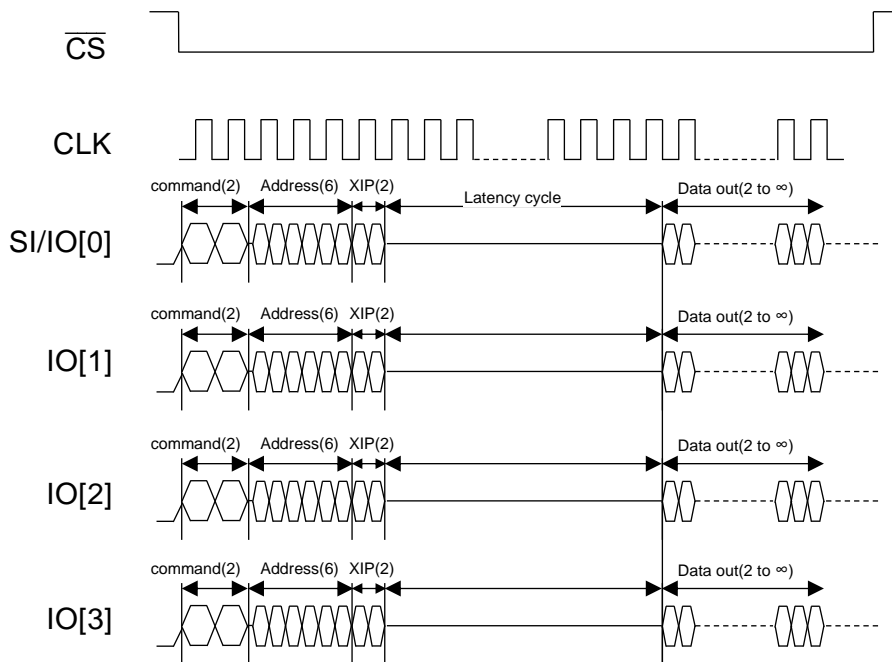
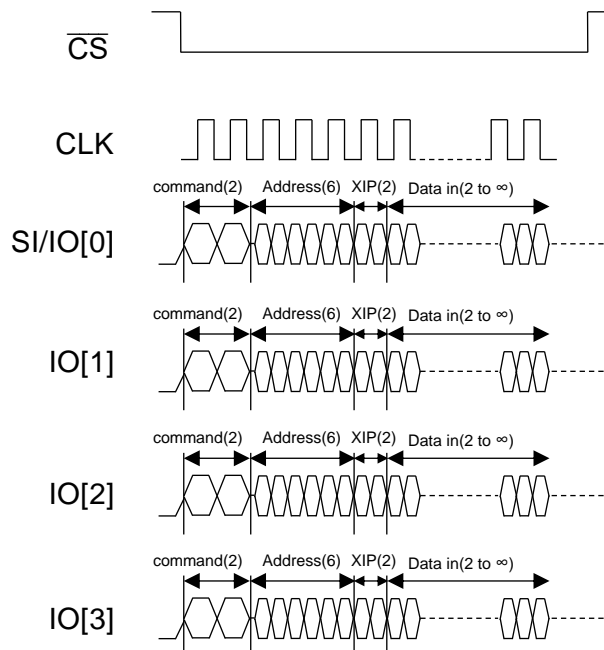
Figure 68 : Timing Description of 4-4-4 Instruction Type (Read with XIP)



- Instruction 4-4-4 ; WRFT

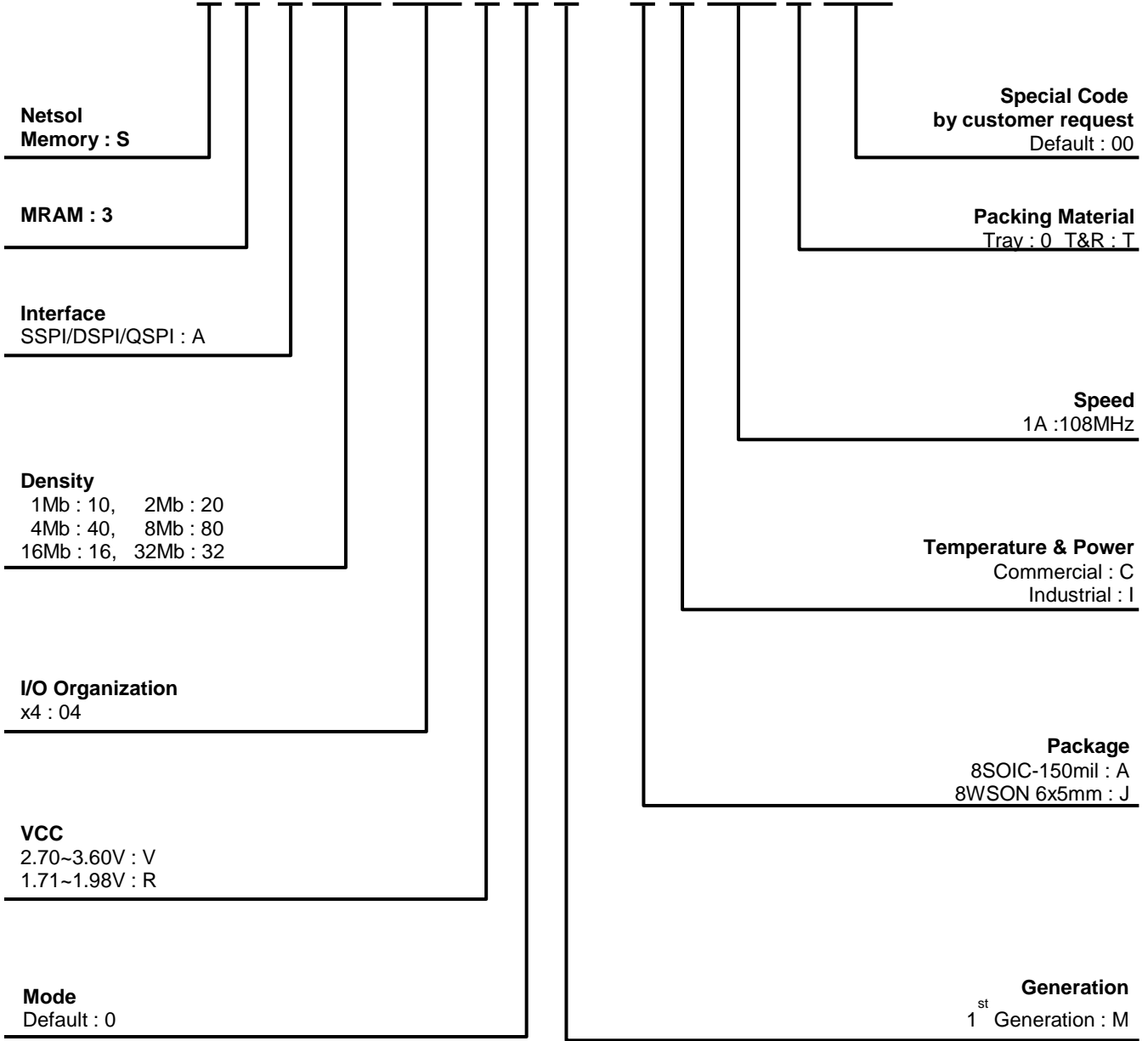
Figure 69 : Timing Description of 4-4-4 Instruction Type (Write with XIP)



**Quad SPI - DDR (Command-Address-Data)**
**- Instruction 4-4-4 ; DRFR**
**Figure 70 : Timing Description of 4-4-4 DDR Instruction Type (Read with XIP)**

**- Instruction 4-4-4 ; DRFW**
**Figure 71 : Timing Description of 4-4-4 DDR Instruction Type (Write with XIP)**


# Part Numbering System

|          |          |          |          |          |          |          |          |          |          |          |          |          |          |          |          |          |          |
|----------|----------|----------|----------|----------|----------|----------|----------|----------|----------|----------|----------|----------|----------|----------|----------|----------|----------|
| <b>S</b> | <b>3</b> | <b>A</b> | <b>x</b> | <b>x</b> | <b>x</b> | <b>x</b> | <b>x</b> | <b>x</b> | <b>x</b> | <b>x</b> | <b>-</b> | <b>x</b> | <b>x</b> | <b>x</b> | <b>x</b> | <b>x</b> | <b>x</b> |
| 1        | 2        | 3        | 4        | 5        | 6        | 7        | 8        | 9        | 10       | 11       | 12       | 13       | 14       | 15       | 16       | 17       | 18       |





## Ordering Part Numbers

**Table 42 : Ordering Part Numbers – 3.3V Device**

| Temperature Grade | Operating Temperature | Package   | Shipping Container | Ordering Part Number |
|-------------------|-----------------------|-----------|--------------------|----------------------|
| Commercial        | 0° to 70°             | 8pad WSON | Tray               | S3A3204V0M-JC1A000   |
|                   |                       |           | Tape and Reel      | S3A3204V0M-JC1AT00   |
|                   |                       | 8pin SOIC | Tape and Reel      | S3A3204V0M-AC1AT00   |
| Industrial        | -40° to 85°           | 8pad WSON | Tray               | S3A3204V0M-JI1A000   |
|                   |                       |           | Tape and Reel      | S3A3204V0M-JI1AT00   |
|                   |                       | 8pin SOIC | Tape and Reel      | S3A3204V0M-AI1AT00   |

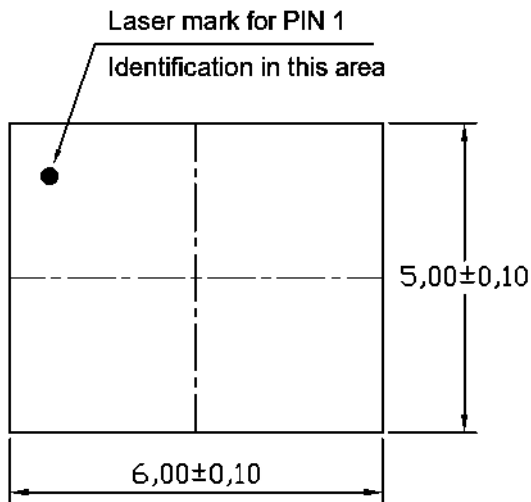
**Table 43 : Ordering Part Numbers – 1.8V : Device**

| Temperature Grade | Operating Temperature | Package   | Shipping Container | Ordering Part Number |
|-------------------|-----------------------|-----------|--------------------|----------------------|
| Commercial        | 0° to 70°             | 8pad WSON | Tray               | S3A3204R0M-JC1A000   |
|                   |                       |           | Tape and Reel      | S3A3204R0M-JC1AT00   |
|                   |                       | 8pin SOIC | Tape and Reel      | S3A3204R0M-AC1AT00   |
| Industrial        | -40° to 85°           | 8pad WSON | Tray               | S3A3204R0M-JI1A000   |
|                   |                       |           | Tape and Reel      | S3A3204R0M-JI1AT00   |
|                   |                       | 8pin SOIC | Tape and Reel      | S3A3204R0M-AI1AT00   |

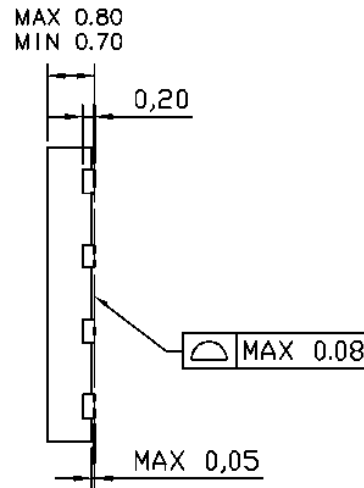
## Package Dimension

### 8-contact WSON 6x5mm

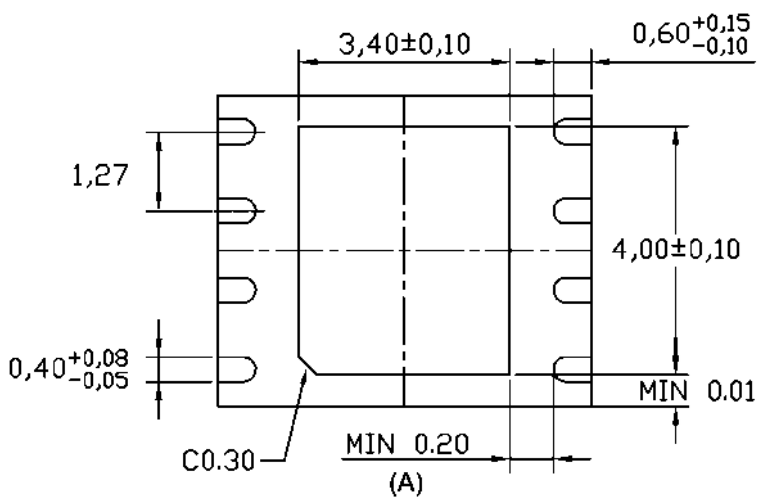
TOP VIE



SIDE VIE



BOTTOM VIEW

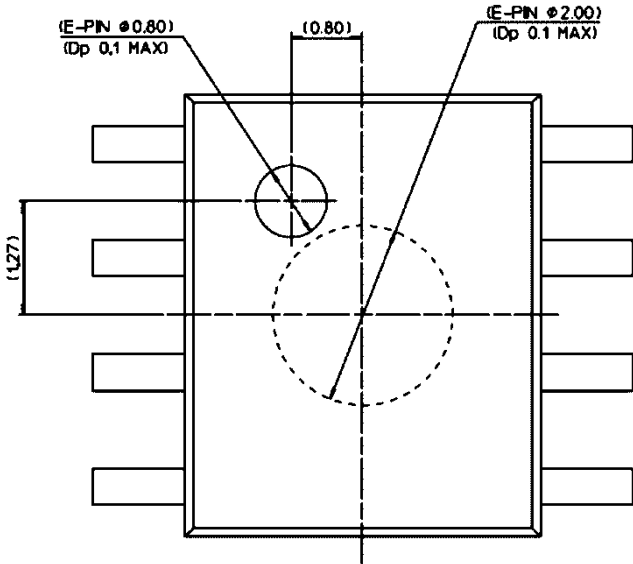


NOTE.

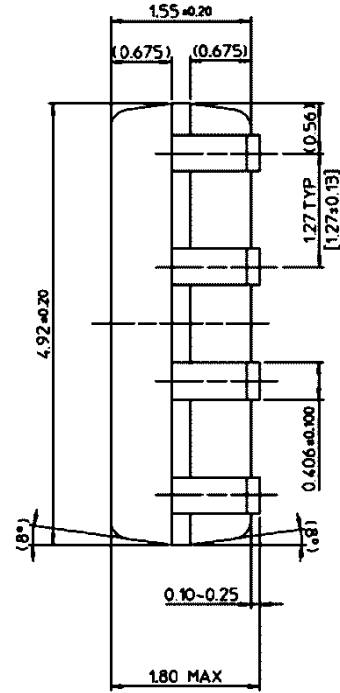
1. These dimensions do not include MOLD protursion.
2. The exposed pad size must not violate the minimum metal separation requirement (A)

8-pin SOIC – 150mil

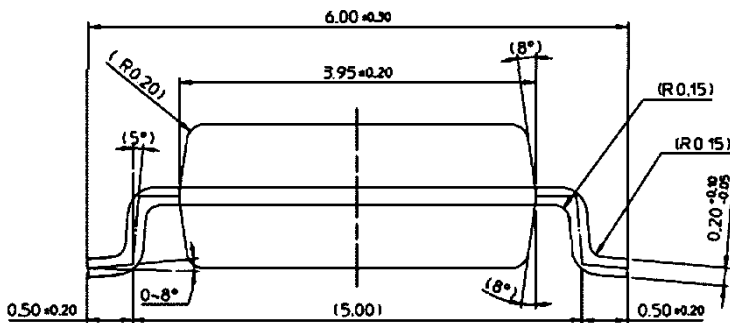
TOP VIEW



SIDE VIEW #1



SIDE VIEW #



|                 |            |       |
|-----------------|------------|-------|
| TITLE           |            |       |
| 8-SOP-225       |            |       |
| PACKAGE OUTLINE |            |       |
| UNIT            | TOLERANCE  | SCALE |
| mm              | $\pm$ 0.10 | N/A   |

## Revision History

| Revision | Date      | Description  |
|----------|-----------|--|
| 0.1      | Jan, 2023 | Initial Release, Preliminary   |
| 0.2      | Mar, 2023 | 1. Update the table of contents<br>2. Add DIE PAD at the table 1: Pin Description<br>3. Update Table 19: Read Latency Cycles vs. Maximum Frequency(Memory Array)<br>4. Typo correction |
| 1.0      | Jul, 2023 | 1. Remove Preliminary status<br>2. Update Table 35: DC Characteristics(3.3V Device)<br>3. Update Table 36: DC Characteristics(1.8V Device)   |
| 1.1      | Oct, 2023 | 1. Update Table 19: Read Latency Cycles vs. Maximum Frequency(Memory Array)<br>- Change the Latency Cycles for 1-1-2 and 1-1-4.  |
| 1.2      | Oct, 2023 | 1. Update Table 18: Configuration Register 2 – Read and Write<br>- CR2[5] must be written as 0   |