

Medium Power Amplifier at 29 dBm P1dB Operating From 60 MHz to 6 GHz with 36 dB Gain, 39 dBm IP3 and SMA



SPA-060-36-008-SMA

Features

- 60 MHz to 6 GHz Frequency Range
- P1dB: 29 dBm
- High Small Signal Gain: 36 dB
- Gain Flatness: ± 1.5 dB
- Gain Variation Over the Temperature Range: ± 2 dB
- Output IP3: 39 dBm
- Noise Figure: 5 dB
- Reverse Isolation: 50 dB
- 50 Ohm Input and Output Matched
- -40 to $+75^\circ\text{C}$ Operating Temperature
- Unconditionally Stable
- Single DC Positive Supply
- Built-in DC Voltage Regulator
- Small Size: 1.5"x1.0"x0.4"

Applications

- Laboratory Applications
- R&D Labs
- Radar Systems
- Telecom Infrastructure
- Test Instrumentation
- Military & Space
- Communication Systems
- Satellite Communications
- Wireless Communications
- Unmanned Systems
- Microwave Radio Systems
- Power Amplifier
- Low Noise Amplifier
- General Purpose Amplification
- RF Front Ends

Description

SPA-060-36-008-SMA is a broadband multi-octave RF GaAs MMIC high gain coaxial 0.8W power amplifier, operating in the 60 MHz to 6 GHz frequency range. The amplifier offers 29 dBm of P1dB and 36 dB high small signal gain, with the excellent gain flatness of ± 1.5 dB typ, along with an outstanding IP3 performance of 39 dBm. This power amplifier requires only a single positive DC supply, Unconditionally stable, operates over the temperature range of -40°C to 75°C , and characterized by a light weight (28 g) and small size (1.5"x1.0"x0.56").

Electrical Specifications (TA = $+25^\circ\text{C}$, DC Voltage = +15Volts, DC Current = 530mA)

Description	Min	Typ	Max	Unit
Frequency Range	0.06		6	GHz
Small Signal Gain	33	36	39	dB
Gain Flatness		± 1.5	± 2	dB
Gain Variation Over Temperature		2		dB
Output Power at 1 dB Compression Point	+27.5	+29		dBm
Output 3rd Intercept Point	+35	+39		dBm
Reverse Isolation		50		dB
Noise Figure 1 (60 MHz to 200 MHz)		7	8	dB
Noise Figure 2 (200 MHz to 2 GHz)		5	6	dB
Spurious			-60	dBc
Impedance (Input)		50		Ohms
Impedance (Output)		50		Ohms
Input VSWR		1.8:1	2.5:1	
Output VSWR		2:1	2.5:1	
Operating DC Voltage	+13	+15	+18	Volts

Medium Power Amplifier at 29 dBm P1dB Operating From 60 MHz to 6 GHz with 36 dB Gain, 39 dBm IP3 and SMA



SPA-060-36-008-SMA

Electrical Specifications (TA = +25°C, DC Voltage = +15Volts, DC Current = 530mA)

Description	Min	Typ	Max	Unit
Operating DC Current		530	650	mA
Operating Temperature Range	-40		+75	°C

Absolute Maximum Rating

Parameter	Rating	Units
Source Voltage	+18	Volts
RF input Power	0	dBm
Operating Temperature (base-plate)	-40 to +75	°C
Storage Temperature	-55 to +125	°C



ESD Sensitive Material, Transport material in Approved ESD bags. Handle only in approved ESD Workstation.

Mechanical Specifications

Size	
Length	1.5 in [38.1 mm]
Width	1 in [25.4 mm]
Height	0.4 in [10.16 mm]
Weight	0.0685 lbs [31.07 g]
Input Connector	SMA Female
Output Connector	SMA Female

Environmental Specifications

Temperature	
Operating Range	-40 to +75 deg C
Storage Range	-55 to +125 deg C

Compliance Certifications (see [product page](#) for current document)

Plotted and Other Data

Notes:

- Values at 25 °C, sea level
- ESD Sensitive Material, Transport material in Approved ESD bags. Handle only in approved ESD Workstation.
- Heat Sink Required for Proper Operation, Unit is cooled by conduction to heat sink.

Caution: This Power Amplifier is matched for a 50 ohm input and output load impedance. Applications such as driving a wideband antenna can introduce a load impedance mismatch condition that could result in reflected waves potentially damaging the amplifier output power stage which will void the warranty. Fairview Microwave highly recommends using an Isolator at the output port of the power amplifier where the termination load will absorb any potentially damaging signal reflections.

Medium Power Amplifier at 29 dBm P1dB Operating From 60 MHz to 6 GHz with 36 dB Gain, 39 dBm IP3 and SMA



SPA-060-36-008-SMA

Amplifier Power-up Precautions

- 1.) Confirm that proper ESD precautions and controls are always in place before handling any Amplifier module.
- 2.) Confirm adequate thermal management is in place to effectively dissipate heat away from the Amplifier package. The Amplifier operational baseplate temperature must be within the operational temperature range stated in the Amplifier datasheet. Depending on the design and thermal requirements, using a heatsink with cooling fan is always recommended for safe reliable operation. A heat sink without a cooling fan may also be used. Damage caused from overheating will void the warranty.
- 3.) Confirm adequate system grounding is established. The DC power supply and Amplifier must have a common ground in order to operate properly.
- 4.) Power Amplifiers may require additional DC Current when initially powered-up. Depending on the design, the input current draw could range from an additional 10% to 100% above the maximum rated DC current of the Amplifier. This varies based on product part number.
- 5.) Confirm the DC power supply, if limited, is set to allow for additional start-up current that's rated for the Power Amplifier.
- 6.) Confirm the system is designed and calibrated for 50 ohms. Any impedance mismatch may cause performance issues.
- 7.) Perform a CALIBRATION (if required) with the loads before connecting the Amplifier to the Network Analyzer to ensure proper performance.
- 8.) Use a fixed attenuator between the signal source and input port of the Amplifier to optimize the input VSWR match.
- 9.) Confirm the input power level at the input port of the amplifier does not exceed the maximum rated limit for input power (as stated in the Amplifier datasheet).
 P_{in} for Small Signal Gain = P1dB-SSG-10 dB
 P_{in} for P1dB = P1dB-SSG+1 dB
- 10.) Confirm the Network Analyzer is always connected to the Amplifier first before DC power is applied to the Amplifier.
- 11.) As long as the input and output ports of the amplifier are connected to a 50Ohm load and RF signal power is applied, the Amplifier can be powered up with DC voltage.
- 12.) Confirm the Amplifier output load is matched for a 50 Ohm impedance and will not exceed the maximum rated VSWR or Return Loss limit for the Amplifier. Exceeding the maximum rated VSWR or Return Loss limit will result in reflected signal power that could damage the Amplifier and void the warranty.
- 13.) **Power Amplifier connected to an Antenna for signal transmission** - It's strongly recommended to use a high power fixed attenuator pad or an Isolator between the output port of the Amplifier and input port to the antenna. Any reflected signal power due to impedance mismatch will likely damage the Amplifier and void the warranty.
- 14.) The attenuator or isolator used at the output port of the Amplifier must be rated to handle the output power level and operational frequency band of the amplifier.

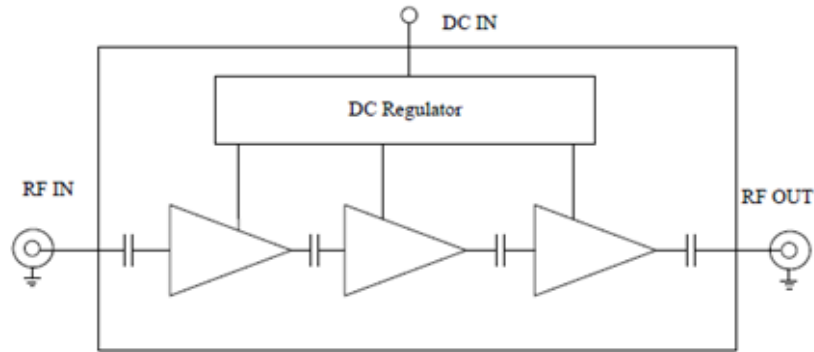
Medium Power Amplifier at 29 dBm P1dB Operating From 60 MHz to 6 GHz with 36 dB Gain, 39 dBm IP3 and SMA



SPA-060-36-008-SMA

Functional Block Diagram

Functional Diagram:



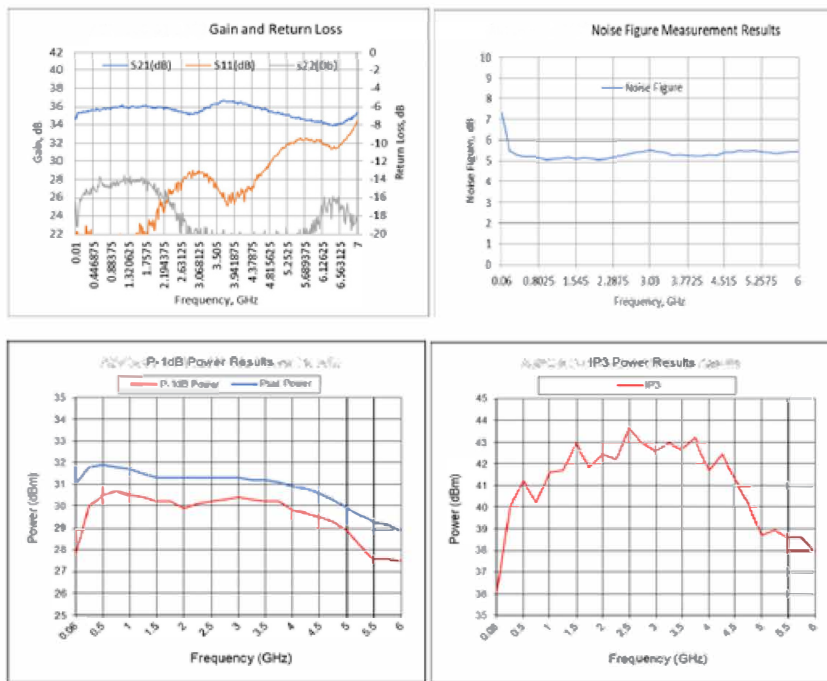
Medium Power Amplifier at 29 dBm P1dB Operating From 60 MHz to 6 GHz with 36 dB Gain, 39 dBm IP3 and SMA



SPA-060-36-008-SMA

Typical Performance Data

Test Results:



Medium Power Amplifier at 29 dBm P1dB Operating From 60 MHz to 6 GHz with 36 dB Gain, 39 dBm IP3 and SMA



SPA-060-36-008-SMA

Medium Power Amplifier at 29 dBm P1dB Operating From 60 MHz to 6 GHz with 36 dB Gain, 39 dBm IP3 and SMA from Fairview Microwave is in-stock and available to ship same-day. All of our RF/microwave products are available off-the-shelf from our ISO 9001:2008 certified facilities in Lewisville, Texas. Fairview Microwave is RF on-demand.

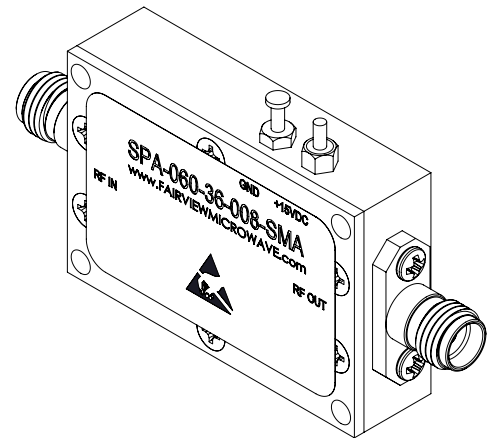
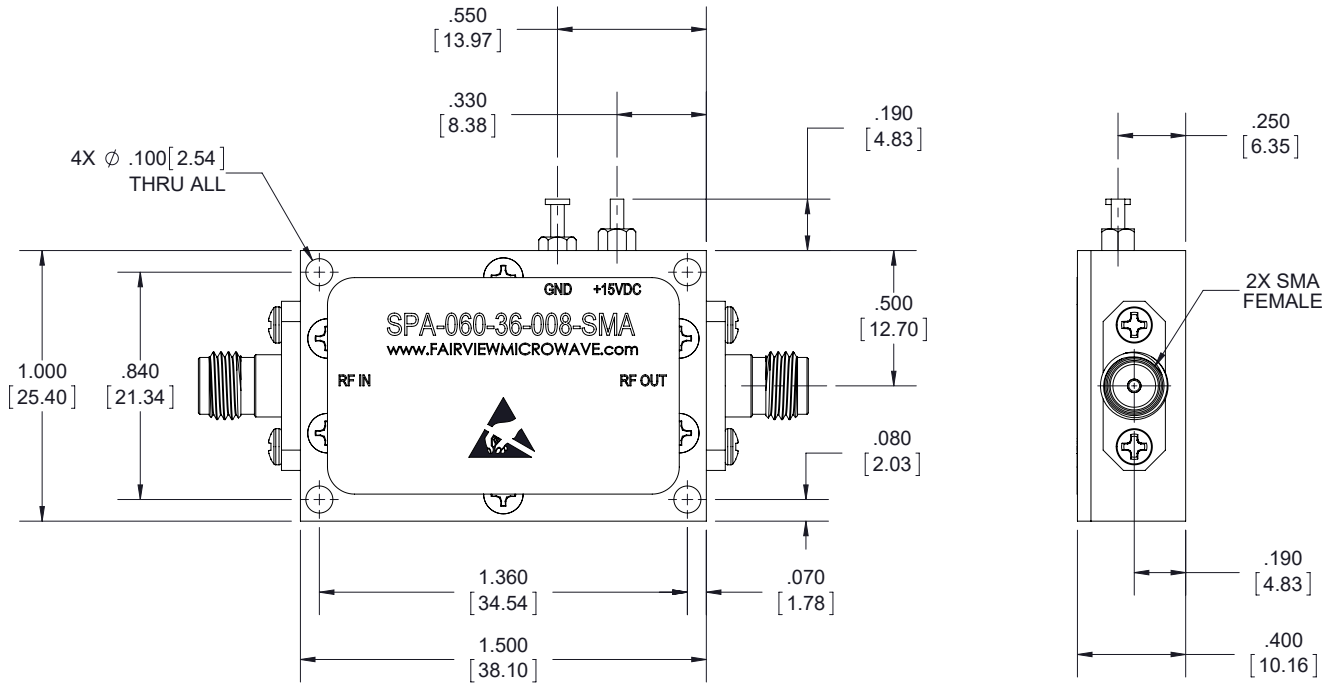
For additional information on this product, please click the following link: [Medium Power Amplifier at 29 dBm P1dB Operating From 60 MHz to 6 GHz with 36 dB Gain, 39 dBm IP3 and SMA SPA-060-36-008-SMA](https://www.fairviewmicrowave.com/medium-power-amplifier-800mw-36db-spa-060-36-008-sma-p.aspx)

URL: <https://www.fairviewmicrowave.com/medium-power-amplifier-800mw-36db-spa-060-36-008-sma-p.aspx>

The information contained within this document is accurate to the best of our knowledge and representative of the part described herein. It may be necessary to make modifications to the part and/or the documentation of the part in order to implement improvements. Fairview Microwave reserves the right to make such changes as required. Unless otherwise stated, all specifications are nominal. Fairview Microwave does not make any representation or warranty regarding the suitability of the part described herein for any particular purpose, and Fairview Microwave does not assume liability arising out of the use of any part or document.

SPA-060-36-008-SMA CAD Drawing

Medium Power Amplifier at 29 dBm P1dB Operating From 60 MHz to 6 GHz with 36 dB Gain, 39 dBm IP3 and SMA



STANDARD TOLERANCES

.X ±0.2
.XX ±0.01
.XXX ±0.005

*STANDARD TOLERANCES APPLY ONLY TO DIMENSIONS IN INCHES

FAIRVIEW MICROWAVE INC.

WWW.FAIRVIEWMICROWAVE.COM

NOTES:
1. UNLESS OTHERWISE SPECIFIED ALL DIMENSIONS ARE NOMINAL.
2. ALL SPECIFICATIONS ARE SUBJECT TO CHANGE WITHOUT NOTICE AT ANY TIME.
3. DIMENSIONS ARE IN INCHES [mm].

TITLE	DWG NO SPA-060-36-008-SMA	CAGE CODE 3FKR5
	CAD FILE 071917	SHEET 1 OF 1
	SCALE N/A	SIZE A 9999