

General Description

20 mm x 2.0mm Speaker



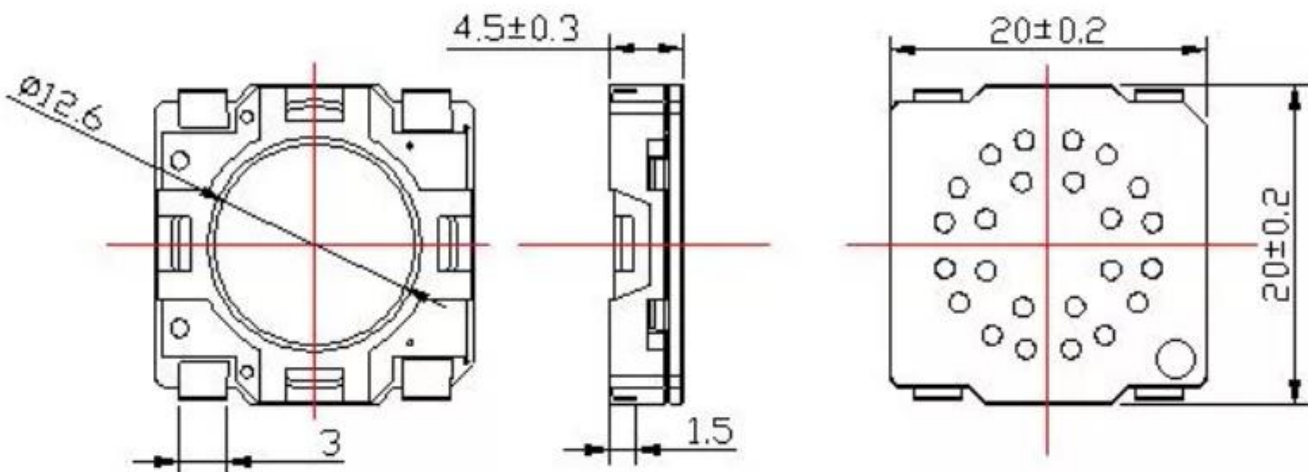
IP67



ELECTRICAL SPECIFICATIONS

Parameters		Value	Unit
Resonant Frequency (Fo)		850±20%	Hz
Frequency Response		Fo ~ 20	kHz
Rated Input Power, max		0.5	W
Input Power, max		0.8	W
Dimension		20 x 20	mm
Height		4.5 ±0.3	mm
Output S.P.L.	@ 0.5W / 0.1m ave. 1.0, 1.6, 2.0, 3.2 kHz	90±3	dB
Impedance		8 ±15%	Ω

Dimensions



Frequency Characteristics



APPROVAL

DRAWN BY	AR, January 18, 2024
APPROVED BY	CP, January 18, 2024
REVISION	A, Initial Release



Raltron Electronics / RAMI Technology USA, LLC, including its affiliates, employees, agents and other persons acting on its behalf (collectively Raltron/RAMI Tech), disclaim any and all liability for any errors or inaccuracies contained in this data sheet. While Raltron/RAMI Tech has made every reasonable effort ensure the accuracy of all product information, specifications and data contained herein, Raltron/RAMI Tech does not guarantee that the information is accurate, reliable or current. The product information is provided only for reference purposes only and is subject to change, correction or revision, at any time without notice. Raltron/RAMI Tech does not assume any liability arising out of an application or use of any product described herein and disclaims any warranties expressed or implied. The user of products in such applications shall assume all risks of such use and will agree to hold Raltron/RAMI Tech, harmless against all damages. Copyright © 2016, Raltron Electronics / RAMI Technology USA, LLC. All rights reserved. No part of this document may be reproduced in any form without the prior written permission of Raltron Electronics / RAMI Technology USA, LLC.