

Cat6 RJ45 Connectors w/ Inserter |
Shielded.

**RoHS
Compliant**

Stock No.: RJ45-6S-I

FEATURES

- Shielded
- w/ Inserter
- Gold-plated



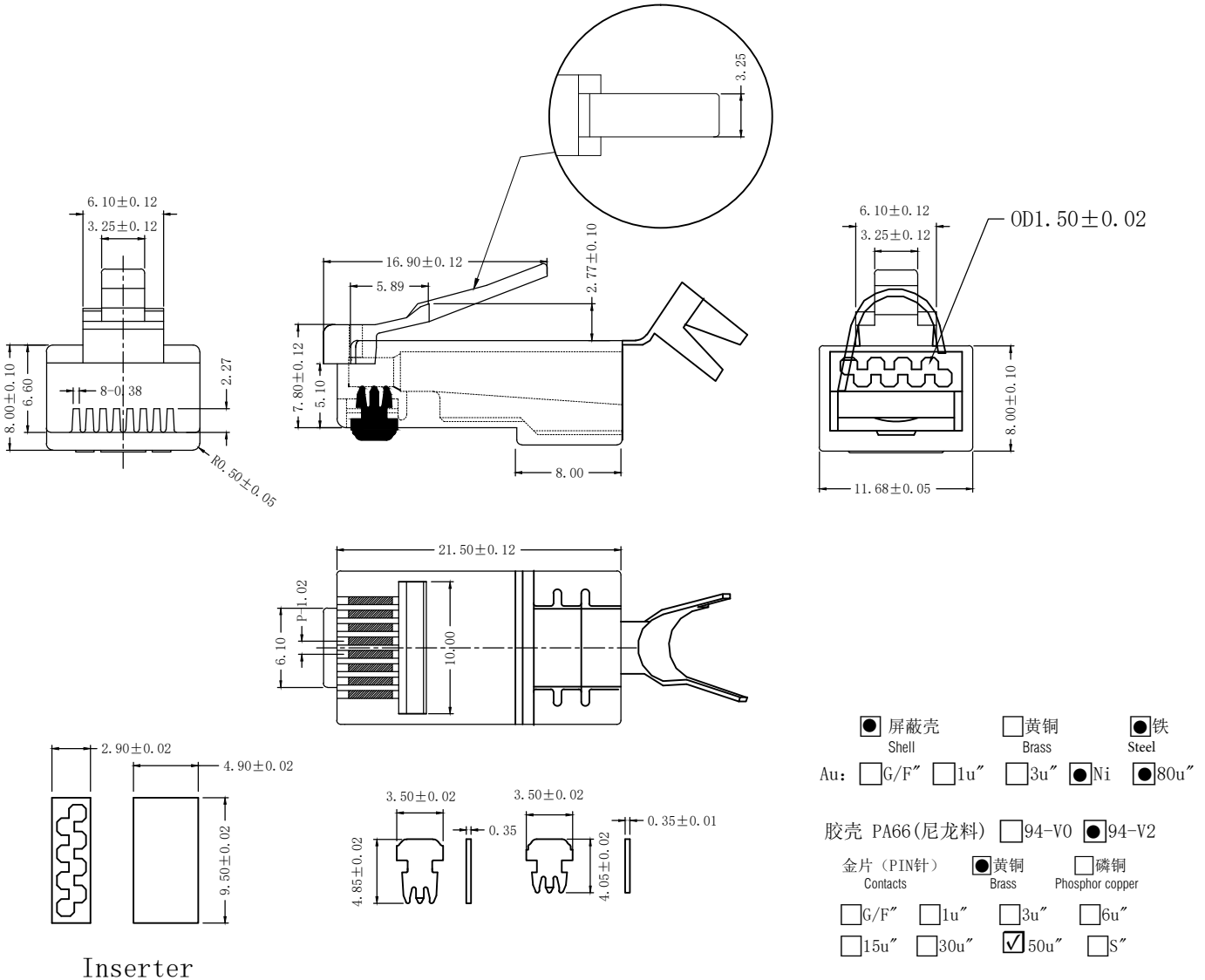
Product Description

Compatible with 23AWG stranded or solid conductors. Suitable for cable jacket diameters up to \varnothing 8.00mm and conductor insulation diameters from \varnothing 1.3 - 1.52mm.

General Specifications

Attribute	Value
Voltage Rating	150 V
Current Rating	1.5A
Insulation Resistance	500M Ω
Contact Resistance	<20M Ω
Cable-to-Plug tensile strength	20LBs(89N) min.
Durability	750 mating cycles
Operation Temp	-40 $^{\circ}$ C-85 $^{\circ}$ C
Contact Plating	Gold
Length	21.5mm

Product Drawing



Insertor

Dimensions: Millimeters (Inches)

Part Number Table

Part Number	Description
RJ45-6S-I	Cat6 RJ45 Connectors w/ Inserter Shielded.

Important Notice: This data sheet and its contents (the "Information") belong to the members of the EASE group of companies (the "Group") or are licensed to it. No license is granted for the use of it other than for information purposes in connection with the products to which it relates. No license of any intellectual property rights is granted. The Information is subject to change without notice and replaces all data sheets previously supplied. The Information supplied is believed to be accurate, but the Group assumes no responsibility for its accuracy or completeness, any error in or omission from it or for any use made of it. Users of this data sheet should check for themselves the Information and the suitability of the products for their purpose and not make any assumptions based on information included or omitted. Liability for loss or damage resulting from any reliance on the Information or use of it (including liability resulting from negligence or where the Group was aware of the possibility of such loss or damage arising) is excluded. This will not operate to limit or restrict the Group's liability for death or personal injury resulting from its negligence. EASE is the registered trademark of Ease Electronics Co., Limited 2019.