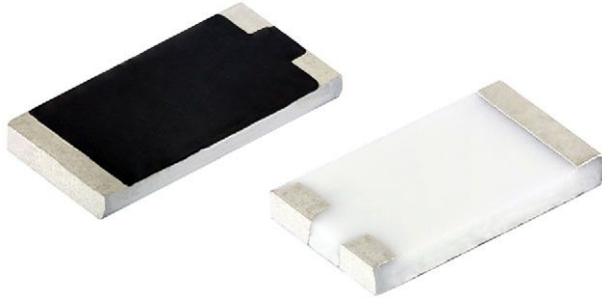


Thick Film Chip Dividers, Medium Voltage



FEATURES

- Voltage up to 1415 V
- Maximum resistance ratio of 700:1
- Flow solderable
- Tape and reel packaging available
- Termination style:
3-sided wraparound termination
- Termination material:
solder-coated nickel barrier terminations
- Material categorization: for definitions of compliance please see www.vishay.com/doc?99912



LINKS TO ADDITIONAL RESOURCES



Note

* This datasheet provides information about parts that are RoHS-compliant and / or parts that are non RoHS-compliant. For example, parts with lead (Pb) terminations are not RoHS-compliant. Please see the information / tables in this datasheet for details

STANDARD ELECTRICAL SPECIFICATIONS							
GLOBAL MODEL	CASE SIZE	POWER RATING $P_{70^\circ\text{C}}$ W	MAXIMUM WORKING VOLTAGE ⁽¹⁾ V	RESISTANCE RANGE ⁽²⁾ Ω	TOLERANCE ⁽³⁾ \pm %	TEMPERATURE COEFFICIENT ⁽⁴⁾ (-55 °C to +155 °C) \pm ppm/°C	TCR TRACKING \pm ppm/°C
CDMV 2512	2512	1	1415	10K to 75M	0.5, 1, 2, 5, 10	100	50 (typical)

Notes

- (1) Continuous working voltage shall be $\sqrt{P \times R}$ or maximum working voltage, whichever is less
- (2) Resistance values are calibrated at 100 V_{DC}. Calibration at other voltages available upon request
- (3) Contact factory for tighter tolerances
- (4) Reference only; not for all values specified. Consult factory for your value

VOLTAGE AND TEMPERATURE COEFFICIENTS OF RESISTANCE CHART TYPICAL			
RESISTANCE (Ω)	RATIO (MAXIMUM)	VCR (ppm/V)	TCR (ppm/°C) -55 °C to +155 °C
10K to 100K	200:1	10	150
> 100K to 1M	400:1	10	100
> 1M	700:1	10	100

Note

- Contact factory for other ratios

GLOBAL PART NUMBER INFORMATION										
New Global Part Numbering: CDMVAF20K0J1000GEB (preferred part number format)										
GLOBAL MODEL	TERM STYLE	TERM MATERIAL	RESISTANCE VALUE (R_1)	TOLERANCE	RATIO ($R_1 + R_2$) / R_2	RATIO TOLERANCE	SOLDER TERMINATION	PACKAGING		
CDMV = CDMV2512	A = 3-sided	F = nickel barrier	K = k Ω M = M Ω 20K0 = 20 k Ω 800K = 800 k Ω 1M00 = 1 M Ω	D = \pm 0.5 % F = \pm 1 % G = \pm 2 % J = \pm 5 % K = \pm 10 %	3 digit significant figure, followed by a multiplier 0500 = 50:1 1000 = 100:1 2000 = 200:1	D = \pm 0.5 % F = \pm 1 % G = \pm 2 % H = \pm 3 % J = \pm 5 %	E = Sn100 T = Sn90 / Pb10	B = bulk (250 pcs max.) F = T / R (full reel) 1 = T / R (1000 pcs) 5 = T / R (500 pcs) T = T / R (250 pcs min.) W = waffle tray		

Note

- For additional information on packaging, refer to the "Surface Mount Resistor Packaging" document (www.vishay.com/doc?31543)

MATERIAL SPECIFICATIONS

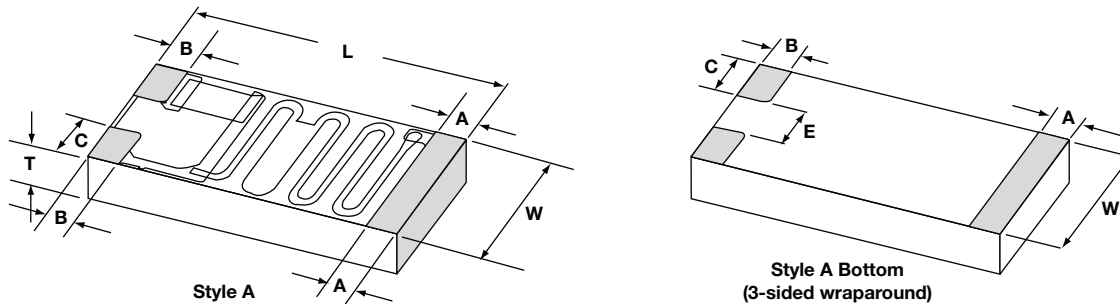
Resistive element	Ruthenium oxide
Encapsulation	Epoxy
Substrate	96 % alumina
Termination	Solder-coated nickel barrier terminations
Solder finish	Pure tin or tin / lead solder alloys standard

ENVIRONMENTAL SPECIFICATIONS

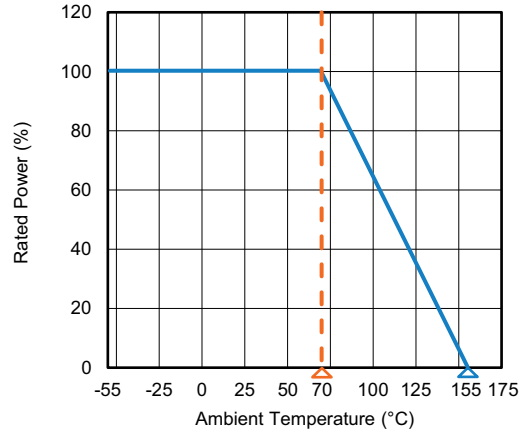
Operating temperature	-55 °C to +155 °C
Life	Less than 0.5 % change when tested at full rated power

Note

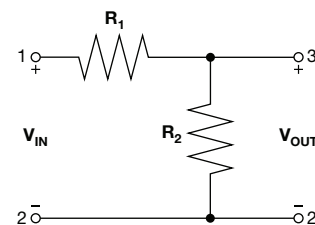
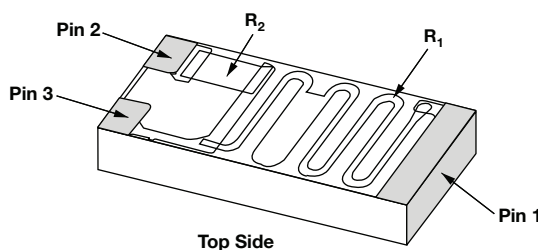
- Reference only: not for all values specified. Consult factory for your size and value

DIMENSIONS in inches (millimeters)


TERMINATION	LENGTH (L) ± 0.006 (0.152)	WIDTH (W) ± 0.006 (0.152)	THICKNESS (T) ± 0.005 (0.127)	A ± 0.005	B ± 0.005	C ± 0.005	E ± 0.010
Style A (3-sided wraparound)	0.250	0.126	0.025	0.025	0.025	0.040	0.046

DERATING CURVE

Note

- Reference only: not for all values specified. Consult factory for your specific value

SCHEMATIC




Disclaimer

ALL PRODUCT, PRODUCT SPECIFICATIONS AND DATA ARE SUBJECT TO CHANGE WITHOUT NOTICE TO IMPROVE RELIABILITY, FUNCTION OR DESIGN OR OTHERWISE.

Vishay Intertechnology, Inc., its affiliates, agents, and employees, and all persons acting on its or their behalf (collectively, "Vishay"), disclaim any and all liability for any errors, inaccuracies or incompleteness contained in any datasheet or in any other disclosure relating to any product.

Vishay makes no warranty, representation or guarantee regarding the suitability of the products for any particular purpose or the continuing production of any product. To the maximum extent permitted by applicable law, Vishay disclaims (i) any and all liability arising out of the application or use of any product, (ii) any and all liability, including without limitation special, consequential or incidental damages, and (iii) any and all implied warranties, including warranties of fitness for particular purpose, non-infringement and merchantability.

Statements regarding the suitability of products for certain types of applications are based on Vishay's knowledge of typical requirements that are often placed on Vishay products in generic applications. Such statements are not binding statements about the suitability of products for a particular application. It is the customer's responsibility to validate that a particular product with the properties described in the product specification is suitable for use in a particular application. Parameters provided in datasheets and / or specifications may vary in different applications and performance may vary over time. All operating parameters, including typical parameters, must be validated for each customer application by the customer's technical experts. Product specifications do not expand or otherwise modify Vishay's terms and conditions of purchase, including but not limited to the warranty expressed therein.

Hyperlinks included in this datasheet may direct users to third-party websites. These links are provided as a convenience and for informational purposes only. Inclusion of these hyperlinks does not constitute an endorsement or an approval by Vishay of any of the products, services or opinions of the corporation, organization or individual associated with the third-party website. Vishay disclaims any and all liability and bears no responsibility for the accuracy, legality or content of the third-party website or for that of subsequent links.

Except as expressly indicated in writing, Vishay products are not designed for use in medical, life-saving, or life-sustaining applications or for any other application in which the failure of the Vishay product could result in personal injury or death. Customers using or selling Vishay products not expressly indicated for use in such applications do so at their own risk. Please contact authorized Vishay personnel to obtain written terms and conditions regarding products designed for such applications.

No license, express or implied, by estoppel or otherwise, to any intellectual property rights is granted by this document or by any conduct of Vishay. Product names and markings noted herein may be trademarks of their respective owners.