

# 12.1" Touch Screen Operator Interface



**TouchPanel  
Operation**



12.1-inch TFT Color Touch Screen Operator Interface

GP-460xT

Model: PFXGP4601TAA, PFXGP4601TAD, PFXGP4603TAD, PFXGP4601TMA, PFXGP4601TMD

AC/DC 24V

SVGA

12.1-inch

SD Card
Ethernet

Powered by

Screen Editor

GP-Pro EX





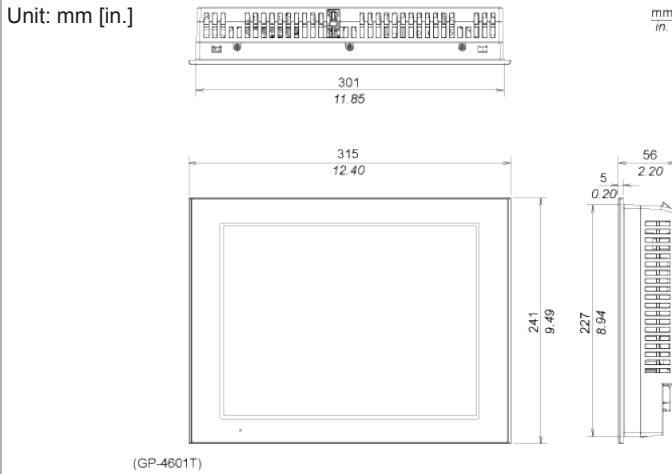
**Features:**

- 65,536 Colors, Clear, Bright, High-Resolution TFT Display
- Energy Efficient LED Display
- Choice of Matrix Touch Panel or No Grid Analog for Improved Visibility and Precise Part Placement
- Supports Up to Four Protocol Drivers Simultaneously
- High Speed Application Transfer, 10 Times Faster than Conventional Operator Interfaces
- 10/100 Base-T Ethernet, USB, Serial Communication and SD Card Interfaces
- High-Definition Part Images and Multi-Language Support

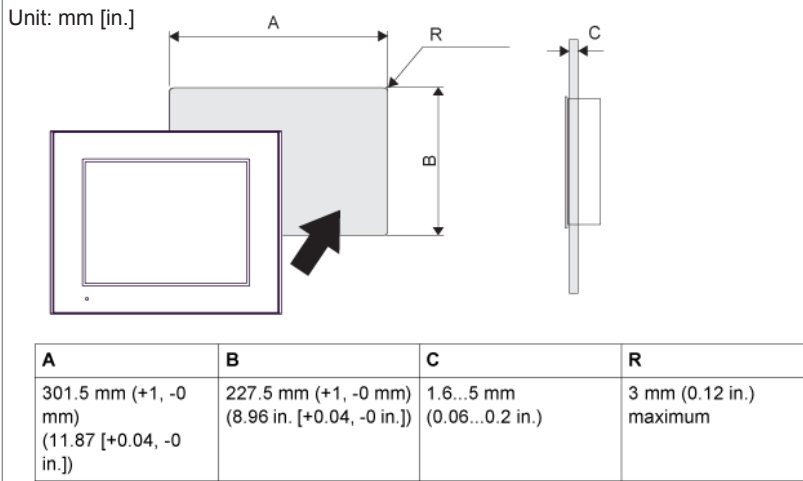
Specifications		
Model	PFXGP4601TAA, PFXGP4601TAD, PFXGP4603TAD*	PFXGP4601TMA, PFXGP4601TMD
Graphics Display Resolution	800 x 600 pixels (SVGA)	
Display Type and Size	TFT Color LCD (12.1 inch)	
Display Colors	65,536 Colors (no blink), 16,384 (blink)	
Display Area	W246.0 x H184.5 mm [W9.69 x H7.26 in.]	
Touch Screen	Resistive film analog 1024 x 1024 resolution	Resistive Film (matrix)
USB	USB Type-A (2.0) x 1, USB mini-B (2.0) x1	
SD Card	SD Card slot x 1 (maximum 32 GB SD/SDHC Card)	
Serial	COM1: RS-232C Asynchronous Transmission Data Length: 7 or 8 bit, Parity: none, odd or even, Stop Bit: 1 or 2 bit, Data Transmission Speed: 2,400 bps to 115.2 kbps, Connector: D-Sub9 (plug)  GP-4601 COM 2: RS-422/485 Asynchronous Transmission Data Length: 7 or 8 bit Parity: None, Odd or Even Stop Bit: 1 or 2 bit Data Transmission Speed: 2,400 bps to 115.2 kbps, 187.5kbps (MPI) Connector: D-Sub9 (plug)  *GP-4603 COM 2: RS-485 (isolation) Asynchronous Transmission Data Length: 7 or 8 bit Parity: None, Odd or Even Stop Bit: 1 or 2 bit Data Transmission Speed: 2,400 bps to 115.2 kbps, 187.5 kbps (MPI) Connector: D-Sub9 (socket)	
Ethernet	Ethernet IEEE802.3/IEEE802.3u, 10BASE-T/100BASE-TX	
Backlight	White LED (User nonreplaceable parts. When replacement is required, contact your local distributor.	
Brightness and Contrast Controls	16 levels of adjustment available via touch panel or the software	
Programming Memory	32MB FEPROM (GP-Pro EX V3.0 or later)	
Backup Memory	512kb SRAM with battery backup	

General Specifications		
Model	PFXGP4601TAA, PFXGP4601TMA, PFXGP4601TAAC	PFXGP4601TAD, PFXGP4603TAD, PFXGP4601TMD, PFXGP4601TADC
Input Voltage	AC 100 to 240 V (Input voltage limits AC 85 to 264 V)	Rated DC24V (Limits DC19.2 to 28.8V)
Power Consumption	100 Vac: 44 VA or less 240 Vac: 58 VA or less	17 W or less
Ambient Operating Temp.	0°C (32°F) to 55°C (131°F)	
Storage Temperature	-20 to 60 °C [-4 to 140 °F]	
Altitude Endurance	800hPa to 1114hPa (2000 meters or lower)	
Certifications	CE, UL Listed Cl 1 Div 2 (Cl 1 Div 2 is only available on Rev. B units), RoHS, ABS (American Bureau of Shipping), DNV (Norway – Marine)	CE, UL Listed Cl 1 Div 2 (Cl 1 Div 2 is only available on Rev. C units/Rev. B units for PFXGP-4601TAD), RoHS, ABS (American Bureau of Shipping), DNV (Norway – Marine)
Humidity - Ambient/Storage	10 to 90 % RH (Wet bulb temperature: 39 °C [102.2 °F] or less - no condensation.) / 10 to 90 % RH (Wet bulb temperature: 39 °C [102.2 °F] or less - no condensation.)	
Noise Immunity	Noise Voltage: 1,500 Vp-p, Pulse Duration: 1 μs, Rise Time: 1 ns (via noise simulator)	Noise Voltage: 1,000 Vp-p, Pulse Duration: 1 μs, Rise Time: 1 ns (via noise simulator)
Cooling Method	Natural air circulation	
Electrostatic Discharge Immunity	Contact Discharge Method: 6 kV (IEC/EN61000-4-2 Level 3)	
Vibration Resistance	IEC/EN61131-2 compliant, 5 to 9 Hz Single amplitude 3.5 mm [0.14 in.], 9 to 150 Hz Fixed acceleration: 9.8 m/s², X, Y, Z directions for 10 cycles (approx. 100 min)	
Shock during operation	IEC/EN 61131-2 compliant 147 m/s², X, Y, Z directions for 3 times	
Rating	Equivalent to IP65f, Nema #250 Type 4x/13 (Equivalent to NEMA 12 with the addition of "Oil or Spraying and Splashing")	
Weight	2.5 kg [5.5 lb] or less (display unit only)	
External Dimensions	W315 x H241 x D56 mm [W12.4 x H9.49 x D2.2 in.]	
Warranty	Two-year standard (maximum 4 years)	

**GP-460xT - External Dimensions**



**GP-460xT - Cut-Out Dimensions**



**Ordering Information**

Part Number	Description
PFXGP4601TAA	<b>GP-4601T:</b> 12.1" TFT Color Touchscreen (Analog), SVGA, 2x Serial, Ethernet, 2x USB, SD, 100-240VAC, UL/CE
PFXGP4601TAD	<b>GP-4601T:</b> 12.1" TFT Color Touchscreen (Analog), SVGA, 2x Serial, Ethernet, 2x USB, SD, 24VDC, UL/CE
PFXGP4601TMA	<b>GP-4601T:</b> 12.1" TFT Color Touchscreen (Matrix), SVGA, 2x Serial, Ethernet, 2x USB, SD, 100-240VAC, UL/CE
PFXGP4601TMD	<b>GP-4601T:</b> 12.1" TFT Color Touchscreen (Matrix), SVGA, 2x Serial, Ethernet, 2x USB, SD, 24VDC, UL/CE
PFXGP4601TAAC	<b>GP-4601T:</b> 12.1" TFT Color Touchscreen (Analog), SVGA, 2x Serial, Ethernet, 2x USB, SD, 100-240VAC, UL/CE, Conformal Coating
PFXGP4601TADC	<b>GP-4601T:</b> 12.1" TFT Color Touchscreen (Analog), SVGA, 2x Serial, Ethernet, 2x USB, SD, 24VDC, UL/CE, Conformal Coating
PFXGP4603TAD	<b>GP-4603T:</b> 12.1" TFT Color Touchscreen (Analog), SVGA, 2x Serial (1-RS232, 1-RS485/MPI), Ethernet, 2x USB, SD, 24VDC, UL/CE

**Optional Items**

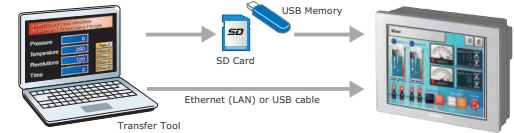
Part Number	Product Name
PFXZCSD4GC41	SD Memory Card (4 GB, Class 4)
GP-Pro EX (EX-ED-Vx)	Screen and Logic Development Software (ver 3.0 or newer)
PLC Cables & Accessories	See AGP3000 Connectivity Document

Caution: Before operating any of these products, please be sure to read all related manuals thoroughly.

- All product names used in this document are trademarks or registered trademarks of their respective companies.
- All information contained in this document is subject to change without notice.

**Easily Transfer Data**

Screen data can be updated by using the data transfer tool, even without a software license.

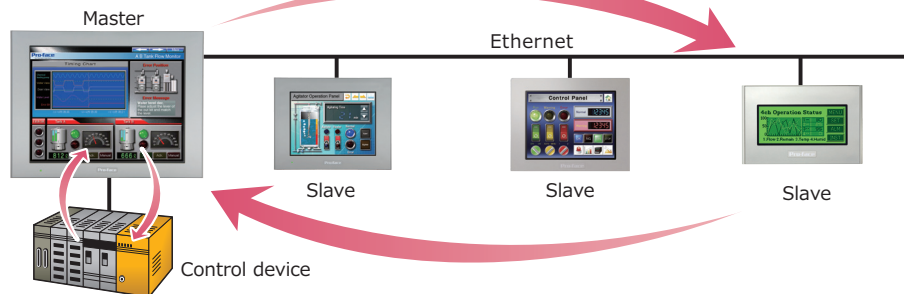


The data transfer tool can be downloaded for free from the Web  
<http://www.profaceamerica.com>

**Connectivity**

**Ethernet Multi-Link function**

The Ethernet Multi-Link function allows you to easily add a GP as a sub-display to the facility without changing any settings of the control device.



**Pro-face America**  
 Phone: 734.477.0600  
 Fax: 734.864.7347  
[www.profaceamerica.com](http://www.profaceamerica.com)

**Customer Service Hotline: 800.289.9266**

For more information  
**ACCESS** [www.profaceamerica.com](http://www.profaceamerica.com)



# California Proposition 65 Warning—Lead and Lead Compounds

## Advertencia de la Proposición 65 de California—Plomo y compuestos de plomo

### Avertissement concernant la Proposition 65 de Californie—Plomb et composés de plomb

**⚠ WARNING:** This product can expose you to chemicals including lead and lead compounds, which are known to the State of California to cause cancer and birth defects or other reproductive harm. For more information go to: [www.P65Warnings.ca.gov](http://www.P65Warnings.ca.gov).

**⚠ ADVERTENCIA:** Este producto puede exponerle a químicos incluyendo plomo y compuestos de plomo, que es (son) conocido(s) por el Estado de California como causante(s) de cáncer y defectos de nacimiento u otros daños reproductivos. Para mayor información, visite : [www.P65Warnings.ca.gov](http://www.P65Warnings.ca.gov).

**⚠ AVERTISSEMENT:** Ce produit peut vous exposer à des agents chimiques, y compris plomb et composés de plomb, identifiés par l'État de Californie comme pouvant causer le cancer et des malformations congénitales ou autres troubles de l'appareil reproducteur. Pour de plus amples informations, prière de consulter: [www.P65Warnings.ca.gov](http://www.P65Warnings.ca.gov).

All trademarks are the property of Schneider Electric SE, its subsidiaries, and affiliated companies.

**Schneider Electric USA, Inc.**  
800 Federal Street  
Andover, MA 01810 USA  
888-778-2733  
[www.schneider-electric.us](http://www.schneider-electric.us)

Todas las marcas comerciales son propiedad de Schneider Electric SE, sus filiales y compañías afiliadas.

Importado en México por:  
**Schneider Electric México, S.A. de C.V.**  
Av. Ejercito Nacional No. 904  
Col. Palmas, Polanco 11560 México, D.F.  
55-5804-5000  
[www.schneider-electric.com.mx](http://www.schneider-electric.com.mx)

Toutes les marques commerciales sont la propriété de Schneider Electric SE, ses filiales et compagnies affiliées.

**Schneider Electric Canada, Inc.**  
5985 McLaughlin Road  
Mississauga, ON L5R 1B8 Canada  
800-565-6699  
[www.schneider-electric.ca](http://www.schneider-electric.ca)