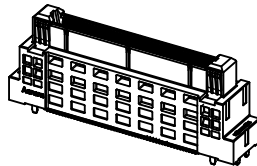
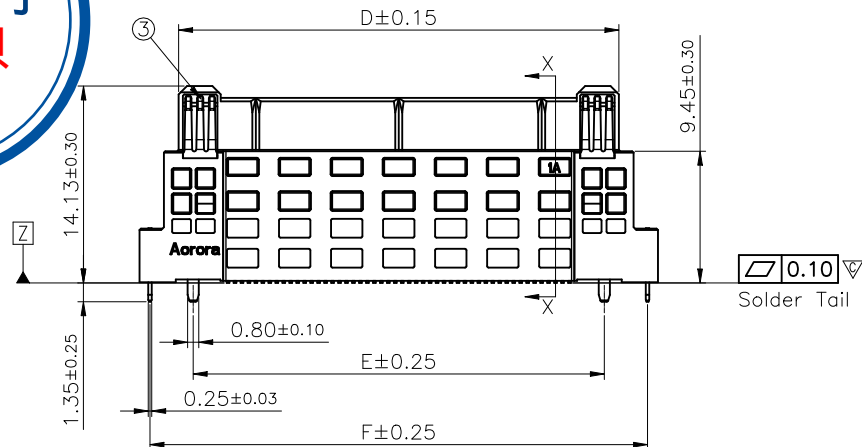
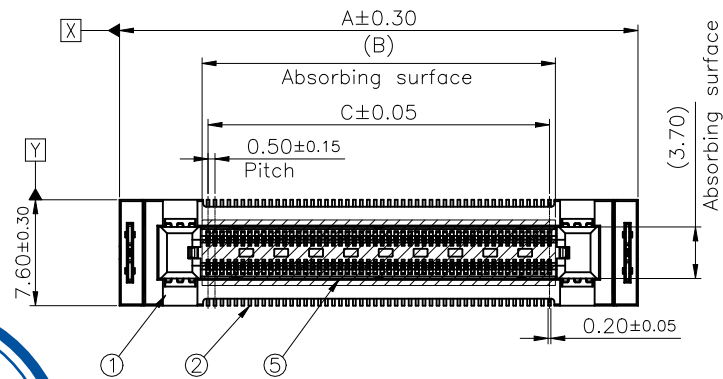


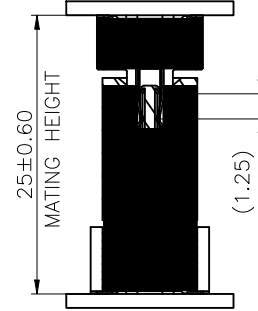
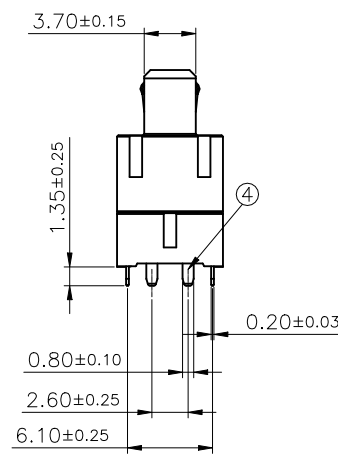
Halogen free



REV.	ECR/ECN No.	DESCRIPTION	DRAWN/DATE	CHECKED/DATE	APPROVED/DATE
A	/	New Release	SH Chen 2023-02-22	Elven 2023-02-22	Rain 2023-02-22
B	/	Add PIN No. of 90 adn 140PIN	SH Chen 2023-03-27	Elven 2023-03-27	Rain 2023-03-27

NO.	COMPONENTS	MATERIALS	SPECIFICATION:FINISH/COLOR	QTY.
1	HOUSING	GLASS FILLED LCP UL94V-0	BLACK	1
2	SIGNAL CONTACT	COPPER ALLOY T=0.15mm	ALL OVER Ni UNDER PLATING:40u''~120u'' CONTACT AREA: Au 4u'' MIN. SOLDER AREA: Au 2u''Min.	N
3	POWER CONTACT	COPPER ALLOY T=0.20mm	ALL OVER Ni UNDER PLATING:40u''~120u'' CONTACT AREA: Au 4u'' MIN. SOLDER AREA: Au 2u''Min.	4
4	FIXING TAB	COPPER ALLOY T=0.25mm	ALL OVER Ni UNDER PLATING:40u''~120u'' SOLDER AREA: Au 2u''Min.	2
5	MYLAR	THERMOSTABLE T=0.10mm	YELLOW	1

AAOR  
文件发行  
禁止拷贝  
2023/3/27



SECTION X-X  
FLOATING RANGE TOWARD  
X DIRECTION: ±0.80  
Y DIRECTION: ±0.80  
Z DIRECTION: ±0.60  
ASSEMBLY DRAWING

DIMENSION LIST:

PIN No.	A	B	C	D	E	F
20	17.20	5.35	4.50	11.59	9.50	15.70
40	22.20	10.35	9.50	16.59	14.50	20.70
60	27.20	15.35	14.50	21.59	19.50	25.70
80	32.20	20.35	19.50	26.59	24.50	30.70
90	34.70	22.85	22.00	29.09	27.00	33.20
AO(100)	37.20	25.35	24.50	31.59	29.50	35.70
BO(120)	42.20	30.35	29.50	36.59	34.50	40.70
DO(140)	47.20	35.35	34.50	41.59	39.50	45.70

NOTES:

- BURRS OF CONTACT AREA ARE NOT ALLOWED AND INTERPOSITION AREA SHOULD BE 0.03MM MAX.
- "▽" MARK IS CRITICAL CHARACTERISTIC DIMENSION.
- ALL MATERIAL MUST BE COMPLY RoHS.
- RECE. PART NO.:B04R-3J1B1-AA1A0-1110 SERIES
- PLUG PART NO.:B07P-3K1B1-AA1A0-1110

PIN No.: 100PIN

UNLESS OTHERWISE SPECIFIED TOLERANCES		ANGLE OF PROJECTION		Amphenol AORORA	
X.	±0.30	X.	± 5'	Amphenol Aorora Technology (Huizhou) Co.,Ltd	
X.X	±0.25	X.X	± 4'	TITLE: 0.5mm Pitch SH25.0 Floating BTB Plug Conn.	
X.XX	±0.20	X.XX	± 3'	PART NUMBER: B07P-3K1B1-AA1*-1110	
X.XXX	±0.15	X.XXX	± 2'	REV. B	
LINEAR DIMS		ANGLES DIMS		SCALE 2:1	
DWC NO.: A-S0758		Customer Drw		UNIT : mm	
MATERIAL FINISHED		DRAWN DATE SH Chen 2023-03-27		SHEET 1 OF 3	
SEE NOTES		DESIGN DATE SH Chen 2023-03-27		SIZE A4	
SEE NOTES		CHECKED DATE Elven 2023-03-27		REV. B	
		APPROVED DATE Rain 2023-03-27			

A

B

C

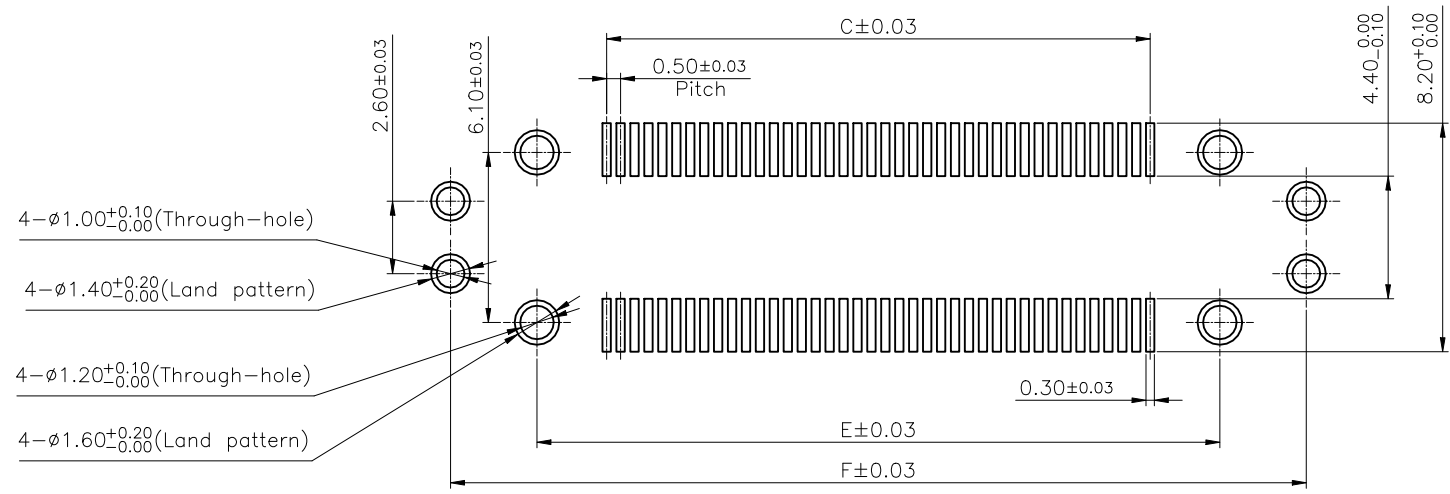
D

A

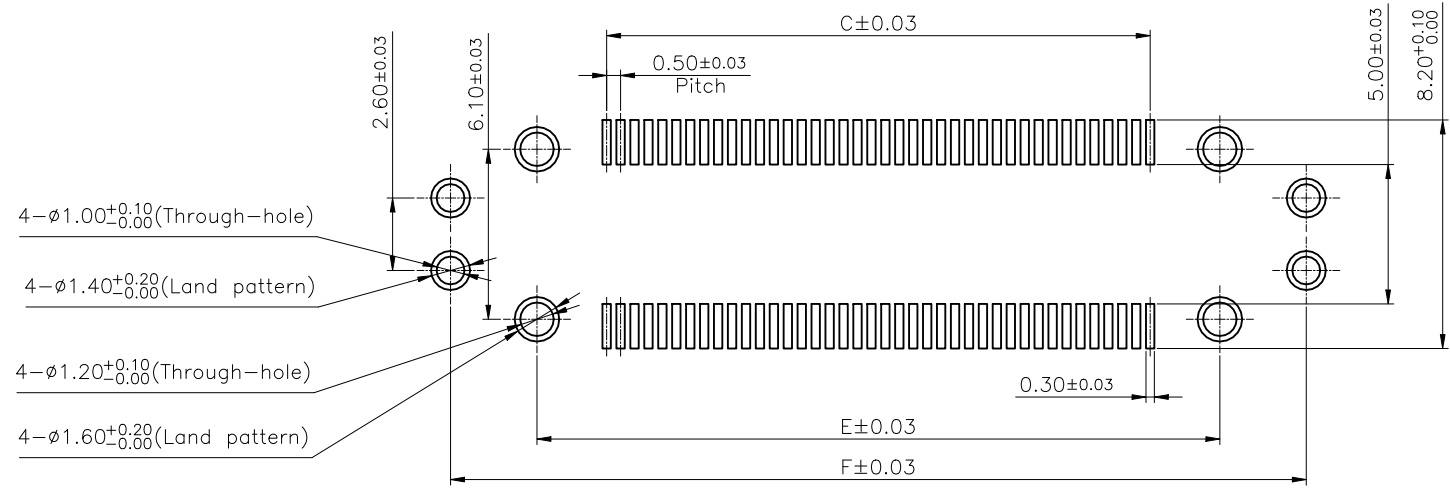
B

C

D



RECOMMENDED PCB SIZE  
FOR COMMON DIFFERENTIAL PAIR 100ohm



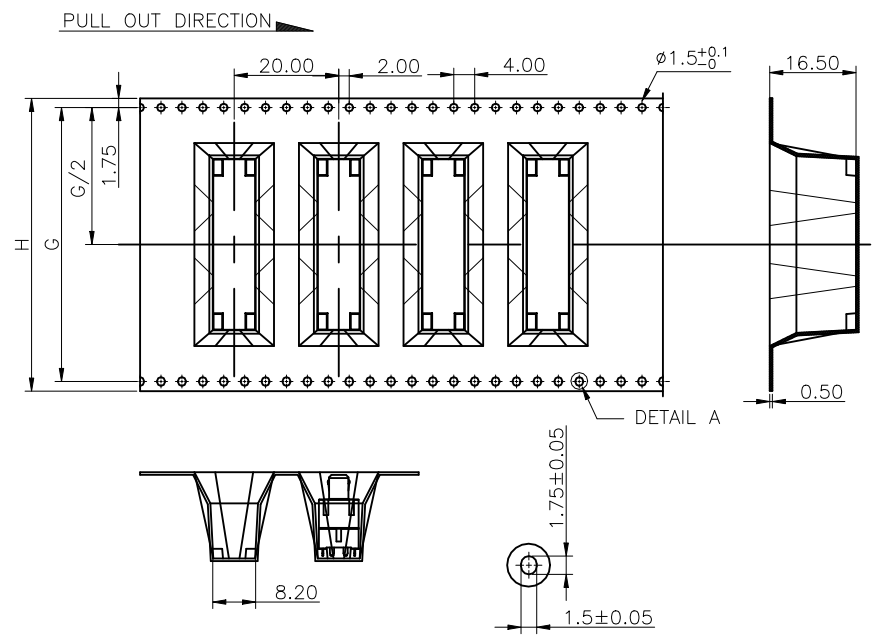
RECOMMENDED PCB SIZE  
FOR PCIe Gen4.0 85ohm



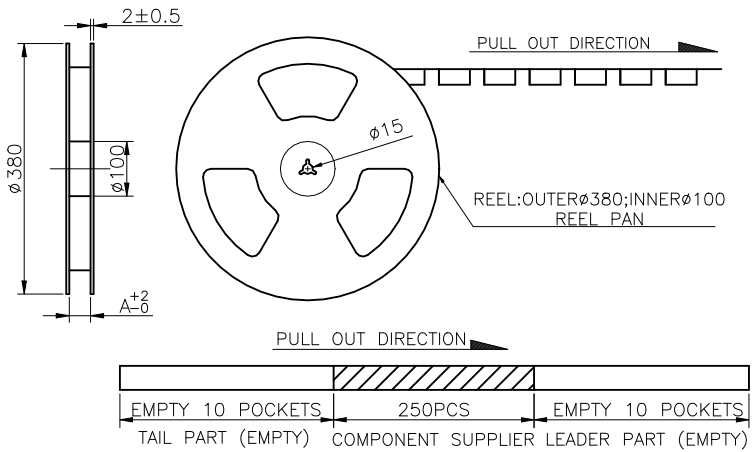
This document is the property of and embodies CONFIDENTIAL and PROPRIETARY information of AAOR. No part of the information shown on this document may be used in any way or disclosed to others without the written consent of AAOR. © 2019 AAOR



UNLESS OTHERWISE SPECIFIED TOLERANCES			ANGLE OF PROJECTION		 Amphenol Aorora Technology (Huizhou) Co.,Ltd
X.	±0.30	X. *	± 5'		
X.X	±0.25	X.X *	± 4'		DOC TYP
X.XX	±0.20	X.XX *	± 3'	DRAWN	SH Chen
X.XXX	±0.15	X.XXX *	± 2'	DATE	2023-03-27
LINEAR DIMS		ANGLES DIMS		DESIGN	SH Chen
DWG NO.:	A-S0758			DATE	2023-03-27
MATERIAL	SEE NOTES			CHECKED	Elven
FINISHED	SEE NOTES			DATE	2023-03-27
APPROVED	Rain			DATE	2023-03-27
TITLE:		0.5mm Pitch SH25.0 Floating BTB Plug Conn.		SIZE	A4
PART NUMBER:		B07P-3K1B1-AA1**-1110		REV.	B
SCALE	4:1	UNIT : mm	SHEET 2 OF 3		

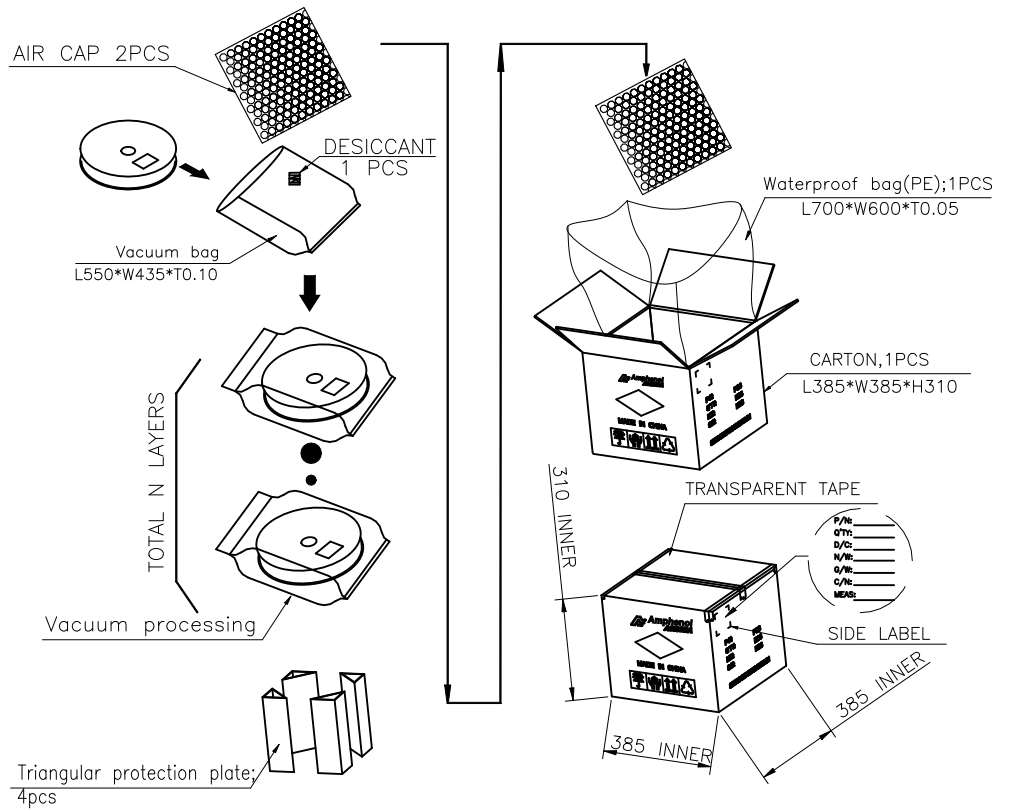


DETAIL A  
SCALE 2:1



5. QTY LIST:

DIM NO.	20~50pin	60~90pin	100~140pin
H	44.00	56.00	72.00
G	40.40	52.40	68.40
N	6	5	4
TOTAL(PCS)	1500	1250	1000



NOTES:

- MATERIAL:
  - CARRY TAPE:HIPS,T=0.50mm,CLEAR
  - REEL:HIPS,BLUE.
  - SHIM:PE,CLEAR.
- PRIMARY PACKING:250PCS/REEL.
- SECONDARY PACKING:"N"REELS/CARTON ("TOTAL"=N\*250/CARTON).
- PEELING RESISTANCE: 0.4N~1.4N(40~140gf);  
PEELING ANGLE: 165°~180°;  
PEELING SPEED: 300mm/minutes.

UNLESS OTHERWISE SPECIFIED TOLERANCES		ANGLE OF PROJECTION		Amphenol AORORA	
X.	±0.30	X. *	± 5°	Amphenol Aorora Technology (Huizhou) Co.,Ltd	
X.X	±0.25	X.X *	± 4°	TITLE: 0.5mm Pitch SH25.0 Floating BTB Plug Conn.	
X.XX	±0.20	X.XX *	± 3°	SIZE PART NUMBER: B07P-3K1B1-AA1**-1110	
X.XXX	±0.15	X.XXX *	± 2°	REV. B	
LINEAR DIMS		ANGLES DIMS		SCALE 1:1 UNIT : mm SHEET 3 OF 3	
DWG NO.:	A-S0758	DOCTYP	Customer Drw		
MATERIAL	SEE NOTES	DRAWN	SH Chen		
FINISHED	SEE NOTES	DATE	2023-03-27		
		DESIGN	SH Chen		
		DATE	2023-03-27		
		CHECKED	Elven		
		DATE	2023-03-27		
		APPROVED	Rain		
		DATE	2023-03-27		

This document is the property of and embodies CONFIDENTIAL and PROPRIETARY information of AAOR. No part of the information shown on this document may be used in any way or disclosed to others without the written consent of AAOR. © 2019 AAOR