

## Features

- Industry-standard Pin Configuration
- Automotive AEC-Q100 Grade 1 Qualified (Refer to TPM27524Q)
- 4.5-V to 23-V Single-Supply Range
- Dual Independent Channels
- 5-A Peak Source and Sink-drive Current
- Independent-enable Function for Each Output
- TTL and CMOS Compatible Threshold
- Outputs Held Low during VDD-UVLO or Input Floating
- Low Propagation Delay (14-ns Typical)
- Fast Rise-and-fall Times (7-ns and 6-ns Typical)
- <1-ns Typical Delay Matching between Two Channels
- Two Outputs Used in Parallel for Higher Drive Current
- ESD Protection Exceeds JESD 22 – 6-kV HBM, 1.5-kV CDM
- Available in SOP8, EMSOP8, DFN3X3-8, and DFN2X2-8 Packages

## Applications

- Switched-mode Power Supplies
- DC-DC Converters
- Motor Control, Solar Inverters
- Gate & IGBT Drive

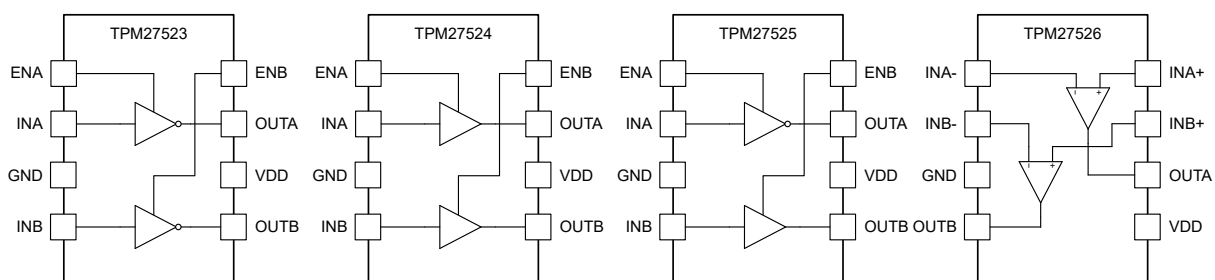
## Description

The TPM2752x family is a series of dual-channel low-side gate drivers for MOSFET, IGBT, and GaN power switches.

High sourcing and sinking current capability of 5 A allows for improving switching efficiencies by minimizing slew time and switching loss. The device supports maximum 25-V supply voltage and -5-V DC input voltage capability, which improves system robustness, especially in noisy industrial applications. Ultra-low propagation delay and excellent matching between two channels are designed for applications with tight timing requirements.

The TPM2752x family consists of a set of gate drivers with different polarities, allowing customers to select based on application needs. The wide range of package supports SOP-8, EMSOP-8, and DFN3X3-8, aligning with industrial standard packages. An extra ultra-small DFN2X2-8 assists the design of ultra-compact synchronous rectifiers in power bricks.

## Typical Application Circuit

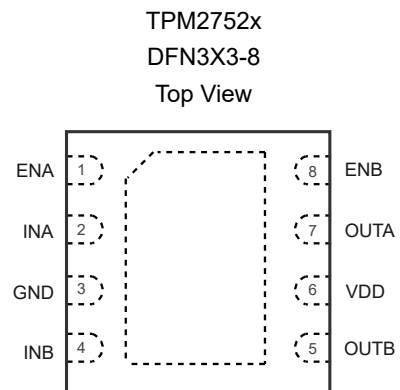
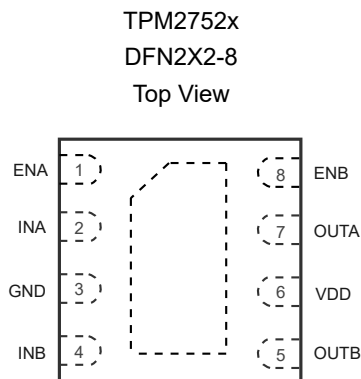
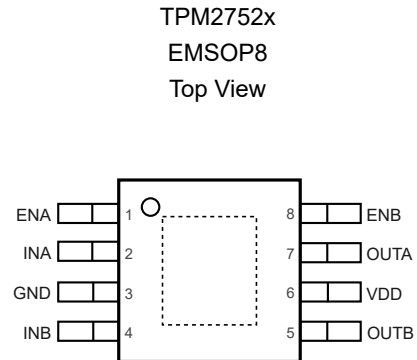
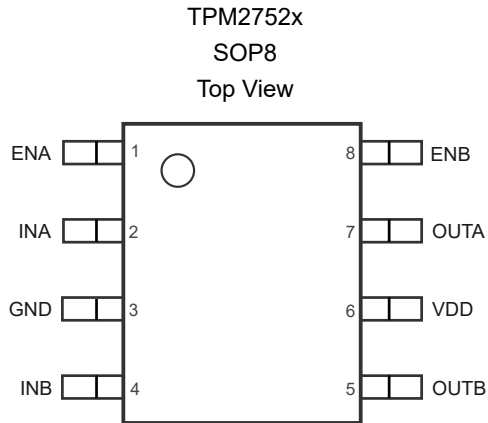


## Table of Contents

|                                               |           |
|-----------------------------------------------|-----------|
| <b>Features</b> .....                         | <b>1</b>  |
| <b>Applications</b> .....                     | <b>1</b>  |
| <b>Description</b> .....                      | <b>1</b>  |
| <b>Typical Application Circuit</b> .....      | <b>1</b>  |
| <b>Revision History</b> .....                 | <b>3</b>  |
| <b>Pin Configuration and Functions</b> .....  | <b>4</b>  |
| <b>Specifications</b> .....                   | <b>5</b>  |
| Absolute Maximum Ratings <sup>(1)</sup> ..... | 5         |
| ESD, Electrostatic Discharge Protection.....  | 5         |
| Recommended Operating Conditions.....         | 5         |
| Thermal Information.....                      | 5         |
| Electrical Characteristics.....               | 7         |
| Typical Performance Characteristics.....      | 9         |
| <b>Detailed Description</b> .....             | <b>13</b> |
| Overview.....                                 | 13        |
| Functional Block Diagram.....                 | 13        |
| Feature Description.....                      | 14        |
| <b>Tape and Reel Information</b> .....        | <b>15</b> |
| <b>Package Outline Dimensions</b> .....       | <b>17</b> |
| SOP8.....                                     | 17        |
| EMSOP8.....                                   | 18        |
| DFN2X2-8.....                                 | 19        |
| DFN3X3-8.....                                 | 20        |
| <b>Order Information</b> .....                | <b>21</b> |
| <b>IMPORTANT NOTICE AND DISCLAIMER</b> .....  | <b>22</b> |

## Revision History

| Date       | Revision | Notes                                                                                                            |
|------------|----------|------------------------------------------------------------------------------------------------------------------|
| 2020-02-24 | Rev A.0  | Initial release                                                                                                  |
| 2020-02-24 | Rev A.1  | Minor updates on Input hysteresis                                                                                |
| 2022-04-21 | Rev A.2  | Updated order information, automotive grade devices, electrical table rising/ falling timing, and block diagrams |
| 2022-12-20 | Rev A.3  | Moved automotive TPM27524Q to a seperated datasheet                                                              |
| 2024-03-17 | Rev A.4  | Changed TPM27524-DF6R Pin1 location to Q2, misc updates on tape & reel info                                      |
| 2024-04-22 | Rev A.5  | Added input threshold electrical parameters                                                                      |

**Pin Configuration and Functions**

**Table 1. Pin Functions: TPM2752x**

| Pin | Name | I/O    | Description                                                                                           |
|-----|------|--------|-------------------------------------------------------------------------------------------------------|
| 1   | ENA  | Input  | Channel A enable input                                                                                |
| 8   | ENB  | Input  | Channel B enable input                                                                                |
| 3   | GND  | Ground | Device ground                                                                                         |
| 2   | INA  | Input  | Logic input. TPM27523: Inverting input; TPM27524: Non-inverting input; TPM27525: Inverting input.     |
| 4   | INB  | Input  | Logic input. TPM27523: Inverting input; TPM27524: Non-inverting input; TPM27525: Non-inverting input. |
| 7   | OUTA | Output | Channel A output                                                                                      |
| 5   | OUTB | Output | Channel B output                                                                                      |
| 6   | VDD  | Power  | Power supply input                                                                                    |

## Specifications

### Absolute Maximum Ratings <sup>(1)</sup>

| Parameter        |                                                                | Min  | Max                      | Unit |
|------------------|----------------------------------------------------------------|------|--------------------------|------|
|                  | Power Supply Voltage, VDD                                      | -0.3 | 25                       | V    |
|                  | Output Voltage Range OUTA, OUTB                                | -0.3 | VDD + 0.3                | V    |
|                  |                                                                | -2   | VDD + 0.3 (200-ns pulse) |      |
|                  | Input Voltage Range INA, INB, INA+, INA-, INB+, INB-, ENA, ENB | -5   | 20                       | V    |
|                  | Continuous Output Channel Current OUTA, OUTB                   | -300 | 300                      | mA   |
|                  | Pulsed Output Channel Current OUTA, OUTB (500 ns)              | -5   | 5                        | A    |
|                  | Operating Junction Temperature Range                           | -40  | 150                      | °C   |
| T <sub>STG</sub> | Storage Temperature Range                                      | -65  | 150                      | °C   |
| T <sub>L</sub>   | Lead Temperature (Soldering, 10 sec)                           |      | 260                      | °C   |

- (1) Stresses beyond those listed under Absolute Maximum Ratings may cause permanent damage to the device. Exposure to any Absolute Maximum Rating condition for extended periods may affect device reliability and lifetime.
- (2) The inputs are protected by ESD protection diodes to each power supply. If the input extends more than 300 mV beyond the power supply, the input current should be limited to less than 10 mA.
- (3) Power dissipation and thermal limits must be observed.

### ESD, Electrostatic Discharge Protection

| Parameter |                          | Condition                             | Minimum Level | Unit |
|-----------|--------------------------|---------------------------------------|---------------|------|
| HBM       | Human Body Model ESD     | ANSI/ESDA/JEDEC JS-001 <sup>(1)</sup> | ±6            | kV   |
| CDM       | Charged Device Model ESD | ANSI/ESDA/JEDEC JS-002 <sup>(2)</sup> | ±1.5          | kV   |

- (1) JEDEC document JEP155 states that 500-V HBM allows safe manufacturing with a standard ESD control process.
- (2) JEDEC document JEP157 states that 250-V CDM allows safe manufacturing with a standard ESD control process.

### Recommended Operating Conditions

| Parameter |                                                                | Min | Max | Unit |
|-----------|----------------------------------------------------------------|-----|-----|------|
|           | Power Supply Voltage, VDD                                      | 4.5 | 23  | V    |
|           | Input Voltage Range INA, INB, INA+, INA-, INB+, INB-, ENA, ENB | 0   | 20  | V    |
|           | Operating Ambient Temperature Range                            | -40 | 125 | °C   |

### Thermal Information

| Package Type | $\theta_{JA}$ | $\theta_{JC}$ | Unit |
|--------------|---------------|---------------|------|
| SOP8         | 122.3         | 60.4          | °C/W |
| EMSOP8       | 63.0          | 42.6          | °C/W |

---

**Dual 5-A High-speed, Low-side Gate Driver**

| Package Type | $\theta_{JA}$ | $\theta_{JC}$ | Unit |
|--------------|---------------|---------------|------|
| DFN3X3-8     | 75            | 33            | °C/W |
| DFN2X2-8     | 55            | 50            | °C/W |

**Dual 5-A High-speed, Low-side Gate Driver**
**Electrical Characteristics**

All test conditions:  $V_{DD} = 12\text{ V}$ ,  $T_J = -40\text{ }^\circ\text{C}$  to  $150\text{ }^\circ\text{C}$ , and  $1\text{-}\mu\text{F}$  capacitor between  $V_{DD}$  and GND, unless otherwise noted.

| Parameter         |                                                     | Conditions                                                     | Min  | Typ     | Max  | Unit          |
|-------------------|-----------------------------------------------------|----------------------------------------------------------------|------|---------|------|---------------|
| $I_{DD(off)}$     | Start-up Current, based on TPM27524 Circuitry       | $V_{DD} = 3.4\text{ V}$ , $INA = H$ , $INB = H$                |      | 40      | 100  | $\mu\text{A}$ |
|                   |                                                     | $V_{DD} = 3.4\text{ V}$ , $INA = L$ , $INB = L$                |      | 40      | 100  |               |
| $V_{ON}$          | Supply under Voltage Lock Out Rising Threshold      | $T_J = 25\text{ }^\circ\text{C}$                               | 3.91 | 4.2     | 4.5  | V             |
|                   |                                                     | $T_J = -40\text{ }^\circ\text{C} - 150\text{ }^\circ\text{C}$  | 3.7  | 4.2     | 4.65 |               |
| $V_{OFF}$         | Supply under Voltage Lock Out Falling Threshold     | $T_J = -40\text{ }^\circ\text{C} - 150\text{ }^\circ\text{C}$  | 3.4  | 3.9     | 4.4  | V             |
| $V_{DD\_H}$       | Supply under Voltage Lock Out Hysteresis            |                                                                | 0.2  | 0.3     | 0.5  | V             |
| $V_{EN\_H}$       | Enable High Threshold                               | Enable high threshold                                          | 1.7  | 1.9     | 2.3  | V             |
| $V_{EN\_L}$       | Enable Low Threshold                                | Enable low threshold                                           | 1    | 1.2     | 1.4  | V             |
| $V_{EN\_HYS}$     | Enable Hysteresis                                   |                                                                | 0.52 | 0.7     | 0.88 | V             |
| $V_{IN\_H}$       | Input Signal High Threshold                         | Input high threshold                                           | 1.65 | 1.95    | 2.3  | V             |
| $V_{IN\_L}$       | Input Signal Low Threshold                          | Input low threshold                                            | 1    | 1.25    | 1.4  | V             |
| $V_{IN\_HYS}$     | Input Hysteresis                                    |                                                                | 0.52 | 0.7     | 0.88 | V             |
| $I_{OUT}$         | Output Peak Current                                 | $C_{LOAD} = 0.22\text{ }\mu\text{F}$ , $F_{SW} = 1\text{ kHz}$ |      | $\pm 5$ |      | A             |
| $V_{DD} - V_{OH}$ | Output High Voltage                                 | $I_{OUT} = -10\text{ mA}$                                      |      |         | 40   | mV            |
| $V_{OL}$          | Output Low Voltage                                  | $I_{OUT} = 10\text{ mA}$                                       |      |         | 10   | mV            |
| $R_{OH}$          | Output Pull-up Resistance, PMOS Pull-up only        | $I_{OUT} = -10\text{ mA}$                                      | 1    | 1.6     | 3    | $\Omega$      |
| $R_{OL}$          | Output Pull-down Resistance                         | $I_{OUT} = 10\text{ mA}$                                       | 0.15 | 0.5     | 1    | $\Omega$      |
| $t_R$             | Output Rise-time <sup>(1)</sup>                     | $C_{LOAD} = 1.8\text{ nF}$                                     |      | 7       | 18   | ns            |
| $t_F$             | Output Fall-time <sup>(1)</sup>                     | $C_{LOAD} = 1.8\text{ nF}$                                     |      | 6       | 10   | ns            |
| $t_M$             | Delay Matching between OUTA and OUTB <sup>(1)</sup> | $INA = INB$ , OUTA and OUTB measured at 50%                    |      | 1       | 4    | ns            |
| $t_{PW}$          | Minimal Pulse Width <sup>(1)</sup>                  |                                                                |      | 15      | 25   | ns            |
| $t_{D1}$          | Input to Output Propagation Delay <sup>(1)</sup>    | $C_{LOAD} = 1.8\text{ nF}$ , 5-V INx pulse                     | 6    | 14      | 23   | ns            |
| $t_{D2}$          | Input to Output Propagation Delay <sup>(1)</sup>    | $C_{LOAD} = 1.8\text{ nF}$ , 5-V INx pulse                     | 6    | 14      | 23   | ns            |
| $t_{D3}$          | Enable to Output Propagation Delay <sup>(1)</sup>   | $C_{LOAD} = 1.8\text{ nF}$ , 5-V ENx pulse                     | 6    | 14      | 23   | ns            |
| $t_{D4}$          | Enable to Output Propagation Delay <sup>(1)</sup>   | $C_{LOAD} = 1.8\text{ nF}$ , 5-V ENx pulse                     | 6    | 14      | 23   | ns            |

(1) Guaranteed by design

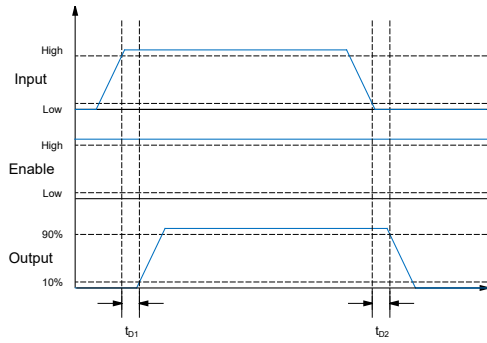


Figure 1. Input Timing Diagram

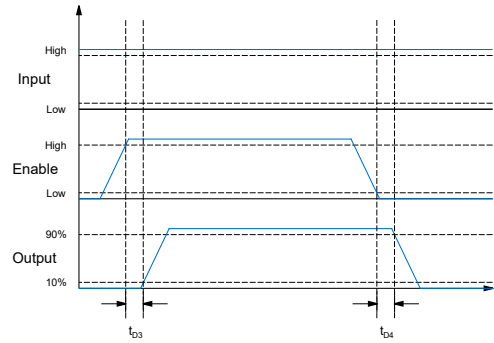


Figure 2. Enable Timing Diagram



Typical Performance Characteristics

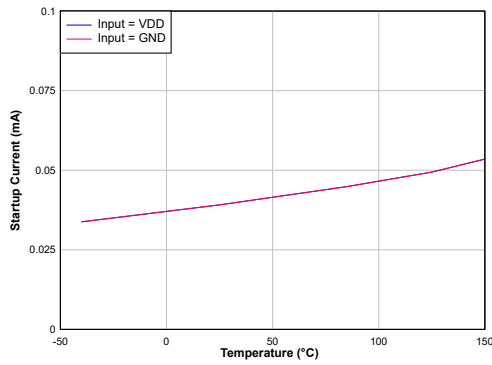


Figure 3. Start-up Current vs. Temperature

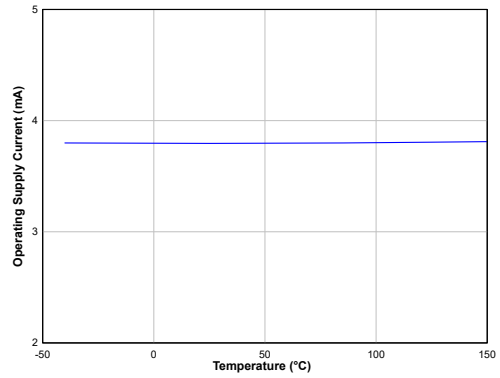


Figure 4. Operating Current vs Ambient Temperature

$f = 500 \text{ kHz}$ ,  $C_L = 500 \text{ pF}$ ,  $V_{DD} = 12 \text{ V}$

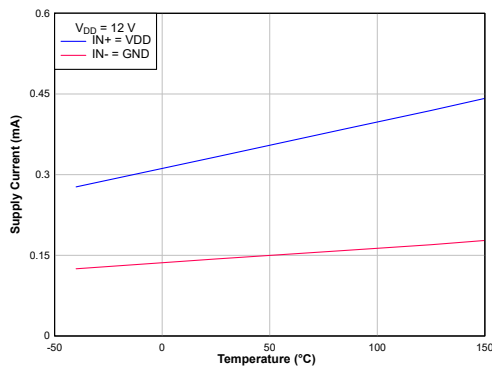


Figure 5. Supply Current vs Temperature (On/Off)

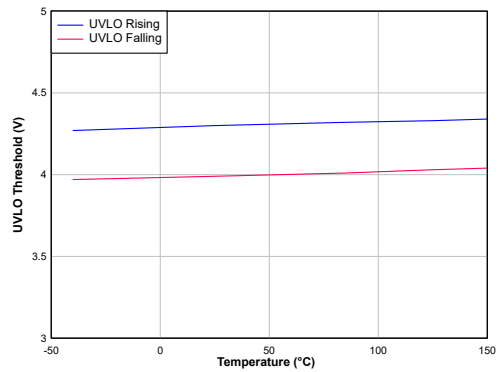


Figure 6. UVLO Threshold vs Temperature

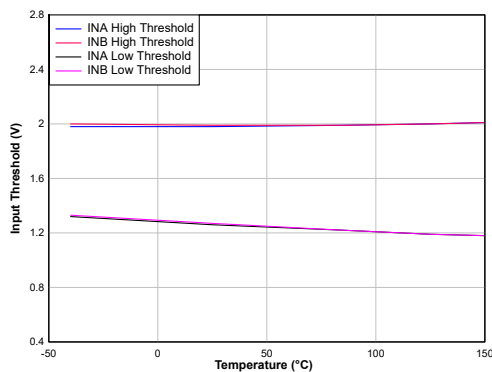


Figure 7. Input Threshold vs Temperature

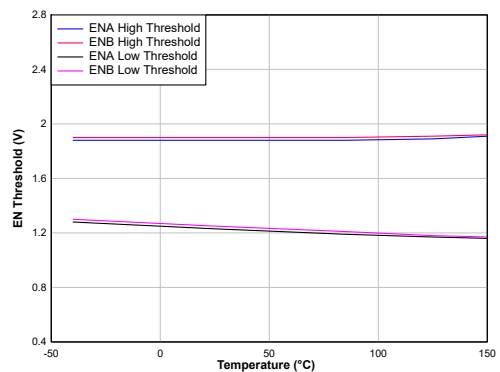


Figure 8. Enable Threshold vs Temperature

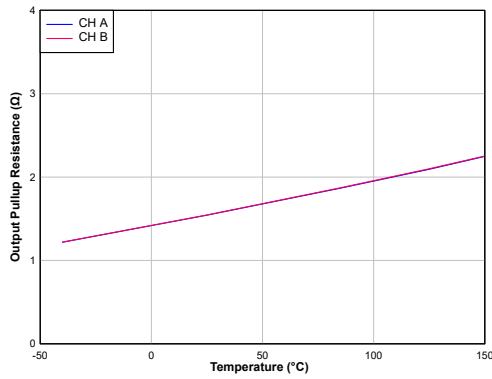


Figure 9. Output Pull-up Resistance vs Temperature

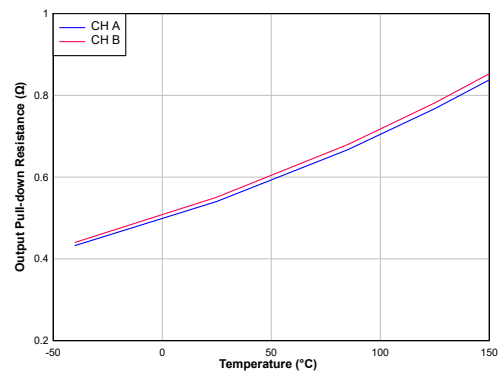


Figure 10. Output Pull-down Resistance vs Temperature

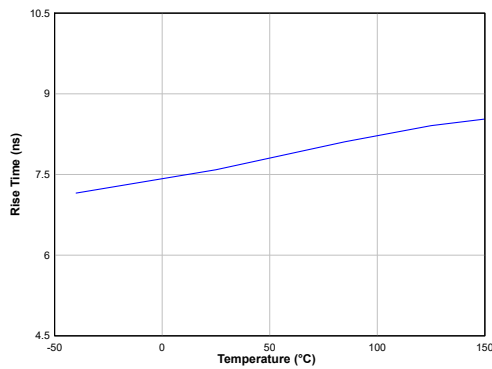


Figure 11. Rise-time vs Temperature

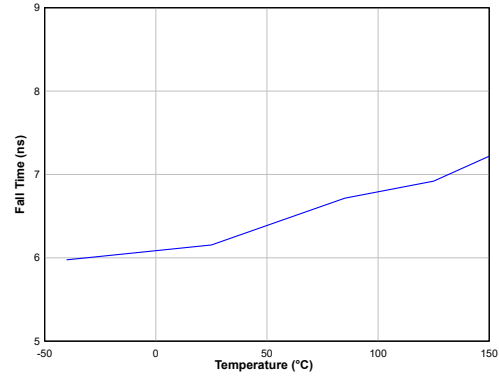


Figure 12. Fall-time vs Temperature

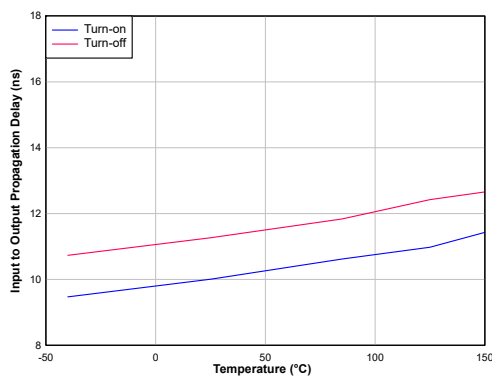


Figure 13. Input to Output Propagation Delay vs Temperature

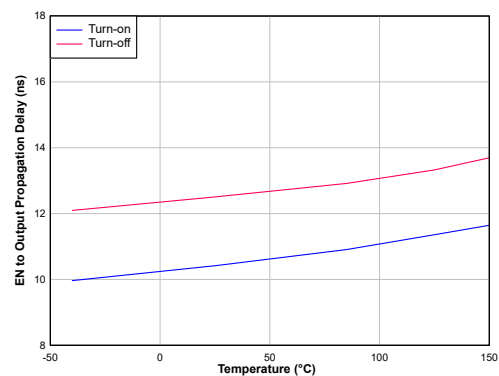


Figure 14. Enable to Output Propagation Delay vs Temperature

Dual 5-A High-speed, Low-side Gate Driver

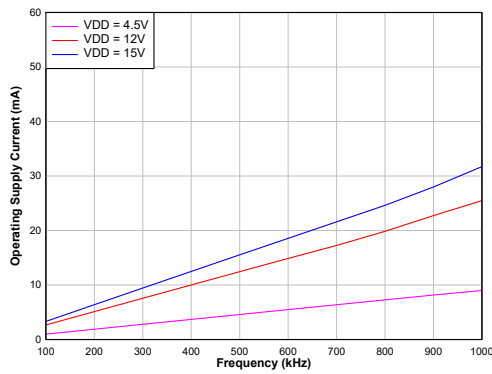


Figure 15. Operating Supply Current vs Frequency

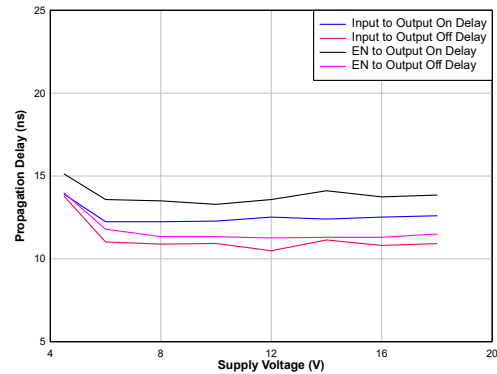


Figure 16. Propagation Delay vs Supply Voltage

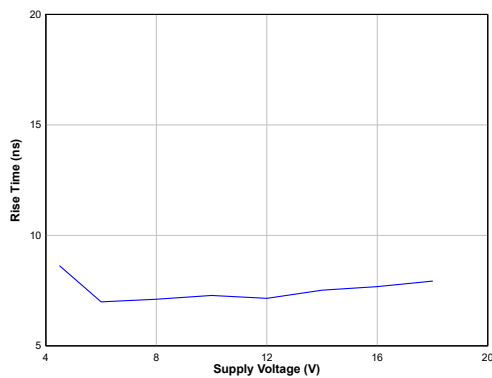


Figure 17. Rise-time vs Supply Voltage

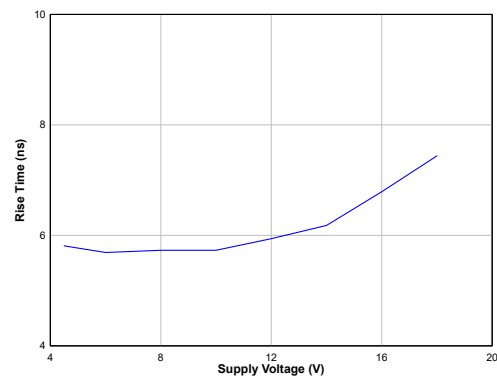


Figure 18. Fall-time vs Supply Voltage

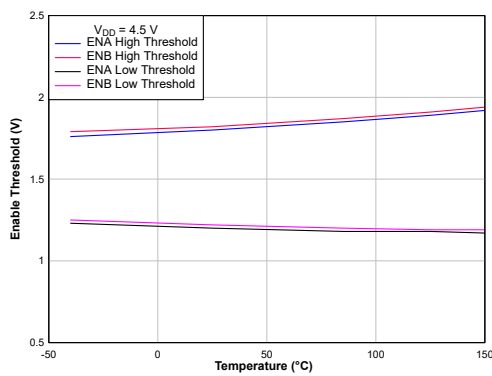


Figure 19. Enable Threshold vs Temperature

VDD = 4.5 V

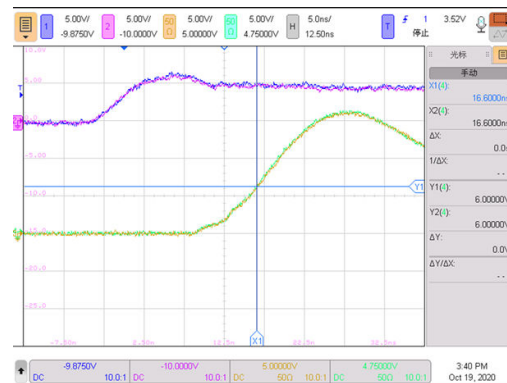
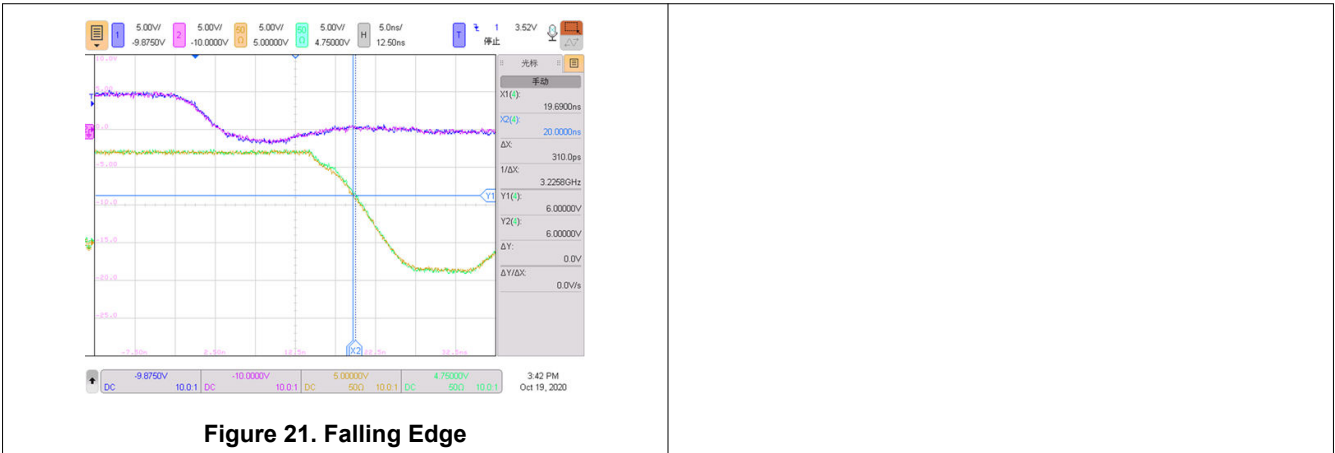


Figure 20. Rising Edge



## Detailed Description

### Overview

The TPM2752x series of dual-channel low-side gate drivers are designed for high-performance power supplies, motor controls, and inverters. Designed with industrial standard pin-out and package, the TPM2752x accelerates design process. With extended voltage ranges of supply voltage and negative input voltage on inputs, the TPM2752x improves system-level reliability. 5-A strong driving capability improves gate driver efficiency and lowers heat generation, especially in high-frequency switching applications.

### Functional Block Diagram

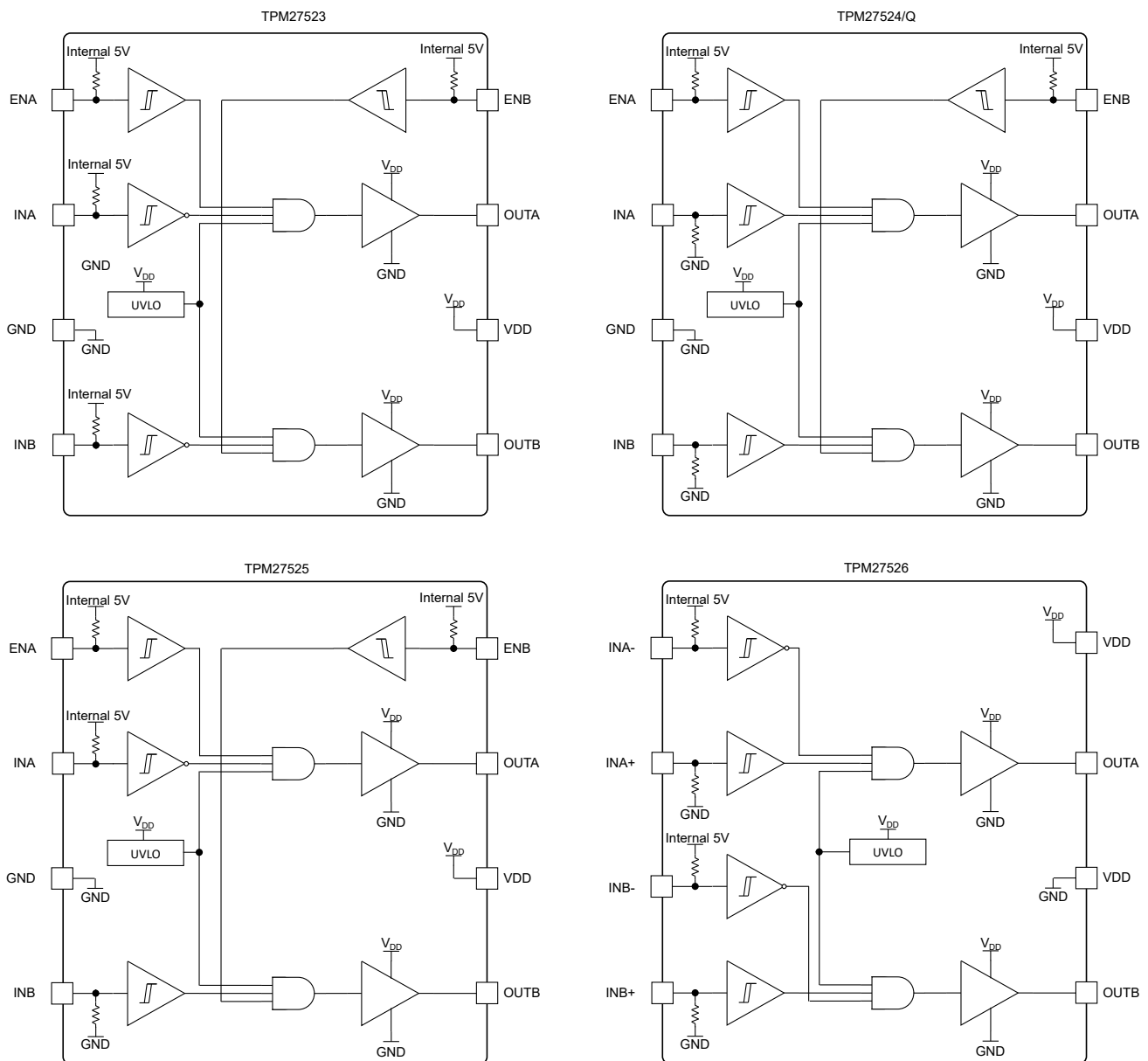


Figure 22. Functional Block Diagram

## Feature Description

### Low Propagation Delay Driver Outputs

The low-propagation-delay design allows the device to achieve industrial leading low propagation delay between inputs and outputs. The low delay enhances driver performance in high-frequency switching regulators. Matching between two channels is optimized to support parallel driving. 3PEAK recommends tying IN1 and IN2 locally together with a high-input slew rate, to avoid shoot-through between the two well-matched channels. Capacitors are not recommended on IN1 and IN2 nodes when used in parallel.

### Supply and UVLO

The device monitors the supply voltage with under-voltage lock-out (UVLO). When the supply voltage is below the UVLO threshold, the outputs are held low in UVLO to avoid glitches during power rising and falling.

The device quiescent current and operating current are measured as shown in Figure 5. The current is related to internal quiescent current consumption as well as the output current. The output current can be calculated using external transistor gate charge times switching frequency  $f_{sw}$ .

### Channel Input

The input of the TPM2752x gate drivers supports TTL and CMOS input with the threshold voltage independent of the supply voltage. The threshold is also designed to support a wide range of ambient temperatures. Wide hysteresis enhances system-level noise immunity. The integrated pull-up and pull-down resistors set the device state when inputs are floating. EN supports NC connection with the help of internal pull-up resistors.

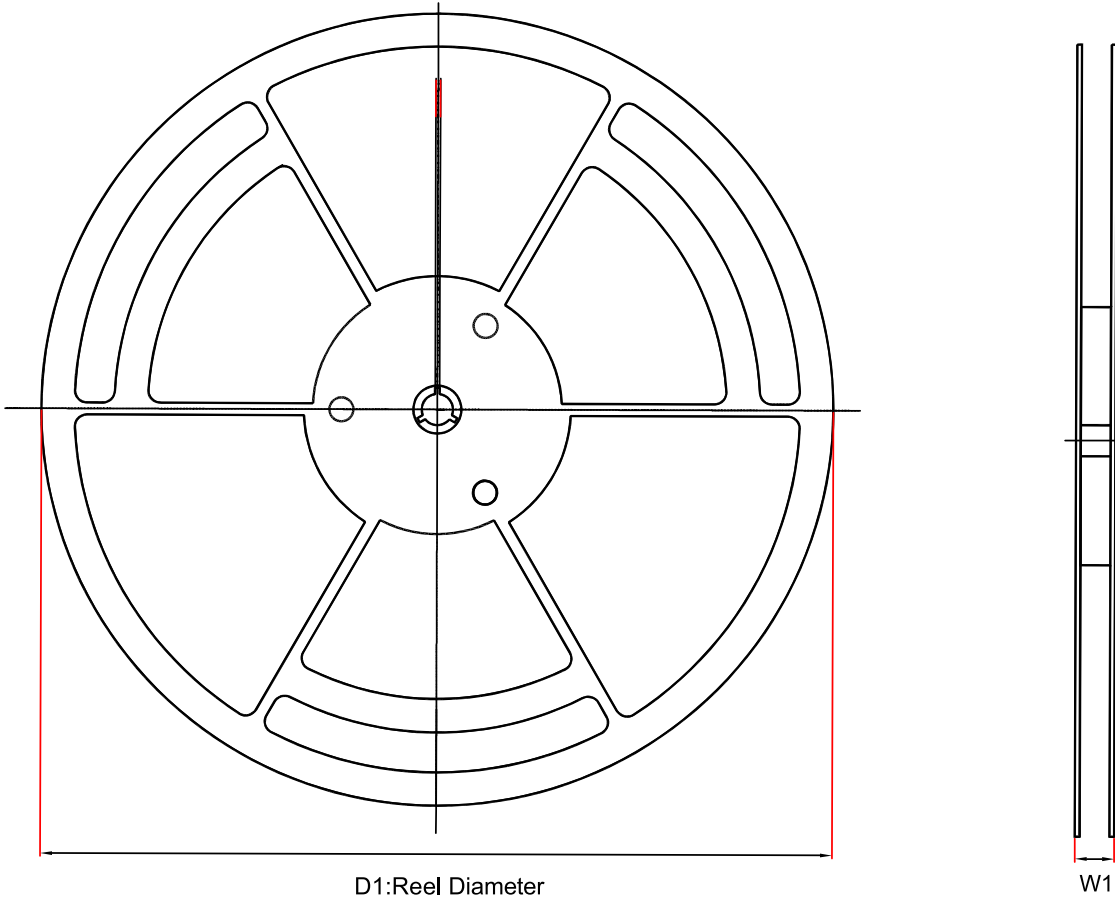
Inputs can withstand DC  $-5$  V, to improve robustness on ground bouncing.

### Output Stage

The TPM2752x output stage is able to deliver high current sourcing and sinking up to 5 A with low propagation delay. The delay matching between dual channels is also optimized within 1 ns.

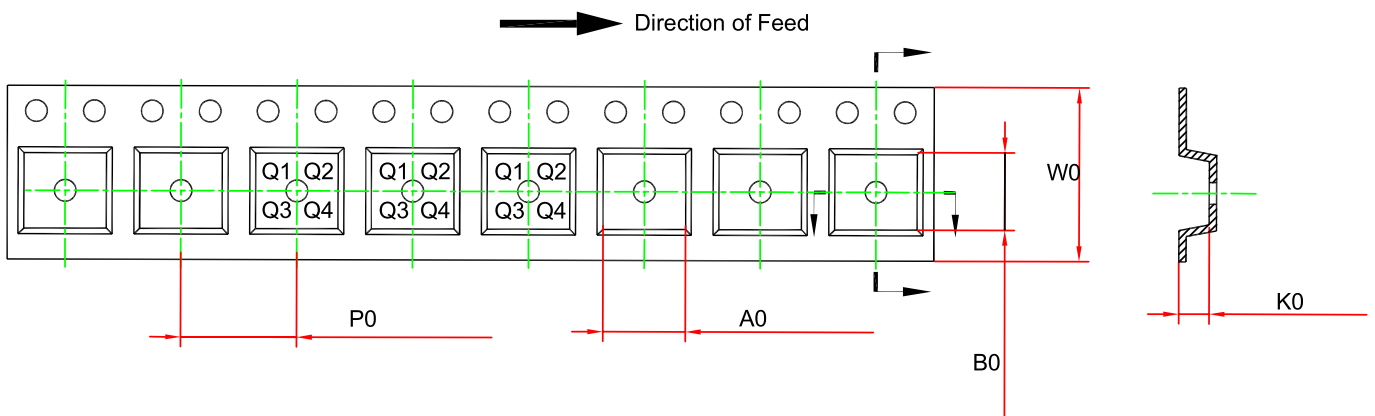
In case of higher output driving capabilities needed, the TPM2752x allows paralleling the dual channel to achieve a higher driving current. In this case, it is recommended to use a high slew rate on IN1 and IN2 and connect IN1 and IN2 to avoid shoot through between channels.

Tape and Reel Information



D1: Reel Diameter

W1

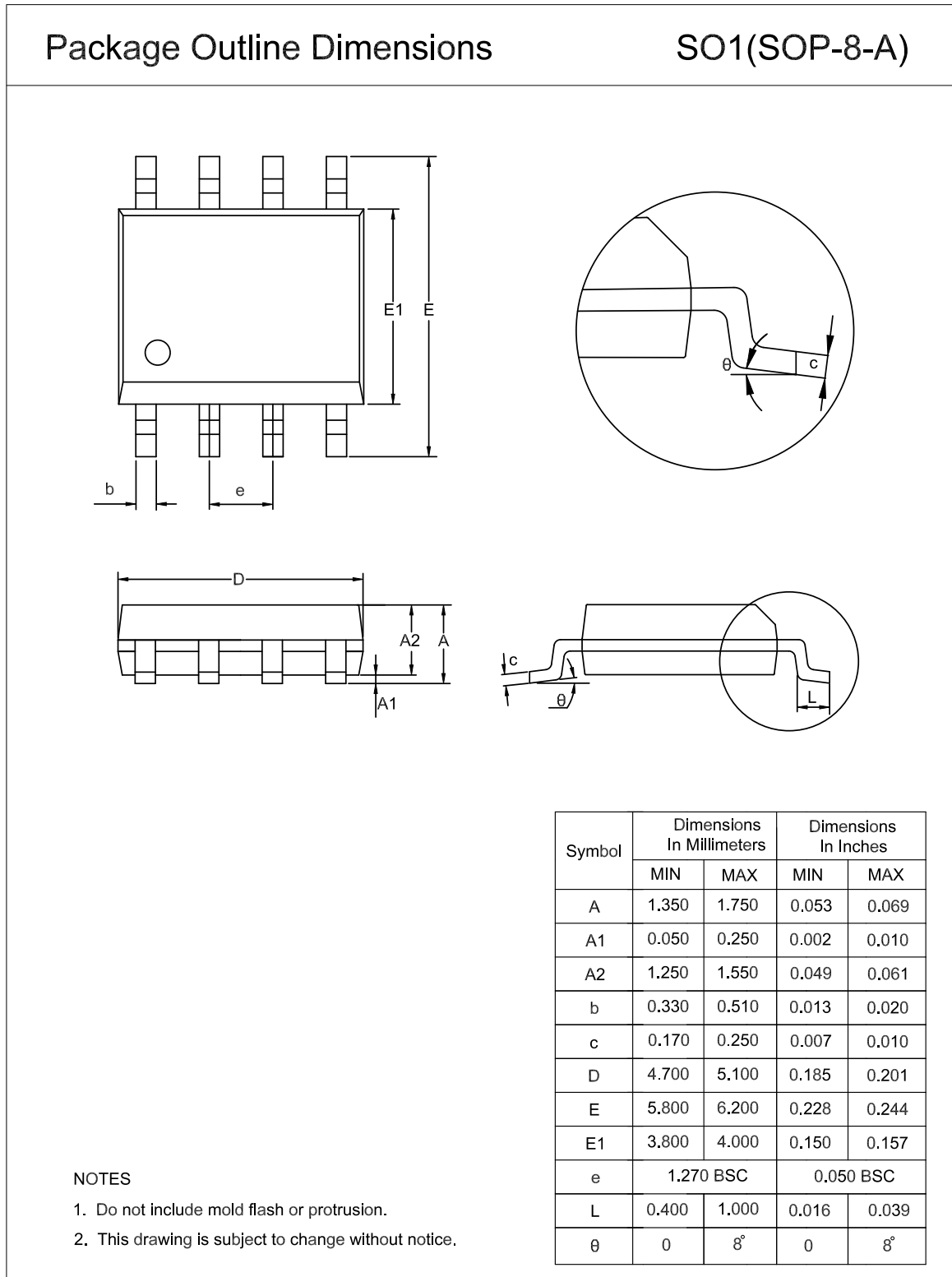


| Order Number      | Package | D1<br>( mm ) | W1<br>( mm ) | A0<br>( mm ) | B0<br>( mm ) | K0<br>( mm ) | P0<br>( mm ) | W0<br>( mm ) | Pin1<br>Quadrant |
|-------------------|---------|--------------|--------------|--------------|--------------|--------------|--------------|--------------|------------------|
| TPM27523-<br>EV1R | EMSOP8  | 330          | 17.6         | 5.3          | 3.4          | 1.4          | 8            | 12           | Q1               |

## Dual 5-A High-speed, Low-side Gate Driver

| Order Number    | Package  | D1<br>( mm ) | W1<br>( mm ) | A0<br>( mm ) | B0<br>( mm ) | K0<br>( mm ) | P0<br>( mm ) | W0<br>( mm ) | Pin1<br>Quadrant |
|-----------------|----------|--------------|--------------|--------------|--------------|--------------|--------------|--------------|------------------|
| TPM27523-SO1R   | SOP8     | 330.0        | 17.6         | 6.5          | 5.4          | 2            | 8.0          | 12.0         | Q1               |
| TPM27524-DF4R   | DFN2X2-8 | 180          | 12.5         | 2.3          | 2.3          | 1.1          | 4            | 8            | Q1               |
| TPM27524-DF6R   | DFN3X3-8 | 330          | 17.6         | 3.3          | 3.3          | 1.1          | 8            | 12           | Q2               |
| TPM27524-EV1R   | EMSOP8   | 330          | 17.6         | 5.3          | 3.4          | 1.4          | 8            | 12           | Q1               |
| TPM27524-SO1R   | SOP8     | 330.0        | 17.6         | 6.5          | 5.4          | 2            | 8.0          | 12.0         | Q1               |
| TPM27524-SO1R-S | SOP8     | 330.0        | 17.6         | 6.5          | 5.4          | 2            | 8.0          | 12.0         | Q1               |
| TPM27525-SO1R   | SOP8     | 330.0        | 17.6         | 6.5          | 5.4          | 2            | 8.0          | 12.0         | Q1               |
| TPM27526-DF6R-S | DFN3X3-8 | 330          | 17.6         | 3.3          | 3.3          | 1.1          | 8            | 12           | Q2               |
| TPM27526-SO1R   | SOP8     | 330.0        | 17.6         | 6.5          | 5.4          | 2            | 8.0          | 12.0         | Q1               |

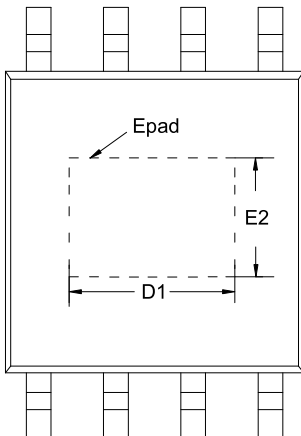
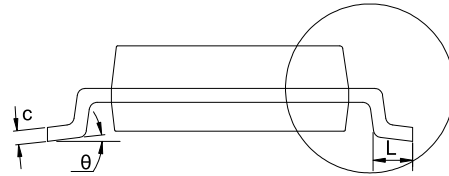
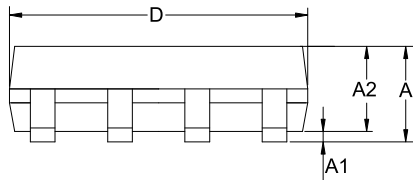
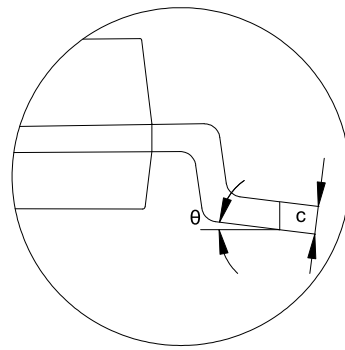
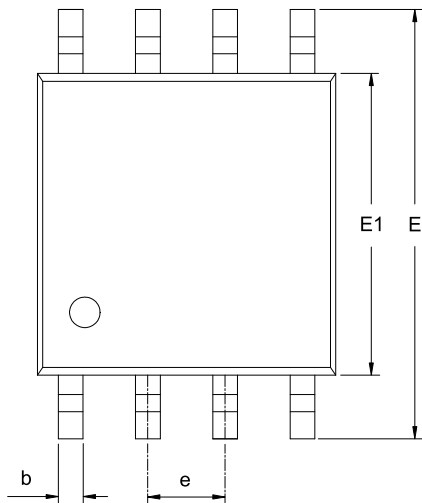


**Package Outline Dimensions**
**SOP8**


EMSOP8

Package Outline Dimensions

EV1(EMSOP-8-A)

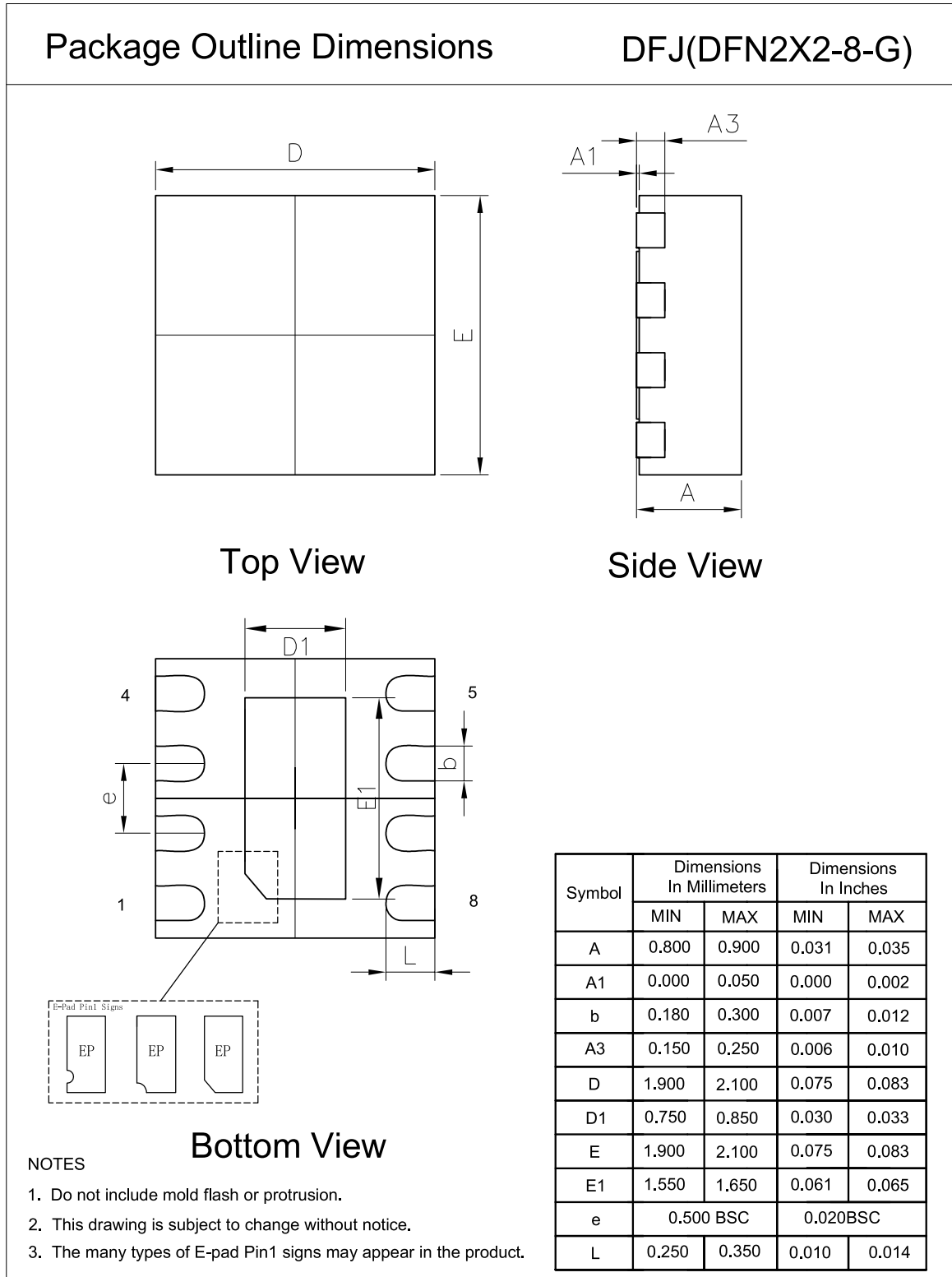


| Symbol | Dimensions<br>In Millimeters |       | Dimensions<br>In Inches |       |
|--------|------------------------------|-------|-------------------------|-------|
|        | MIN                          | MAX   | MIN                     | MAX   |
| A      | 0.800                        | 1.100 | 0.031                   | 0.043 |
| A1     | 0.050                        | 0.150 | 0.002                   | 0.006 |
| A2     | 0.750                        | 0.950 | 0.030                   | 0.037 |
| b      | 0.250                        | 0.380 | 0.010                   | 0.015 |
| c      | 0.090                        | 0.230 | 0.004                   | 0.009 |
| D      | 2.900                        | 3.100 | 0.114                   | 0.122 |
| D1     | 1.700                        | 1.900 | 0.067                   | 0.075 |
| E      | 4.700                        | 5.100 | 0.185                   | 0.201 |
| E1     | 2.900                        | 3.100 | 0.114                   | 0.122 |
| E2     | 1.450                        | 1.650 | 0.057                   | 0.065 |
| e      | 0.650 BSC                    |       | 0.026 BSC               |       |
| L      | 0.400                        | 0.800 | 0.016                   | 0.031 |
| θ      | 0                            | 8°    | 0                       | 8°    |

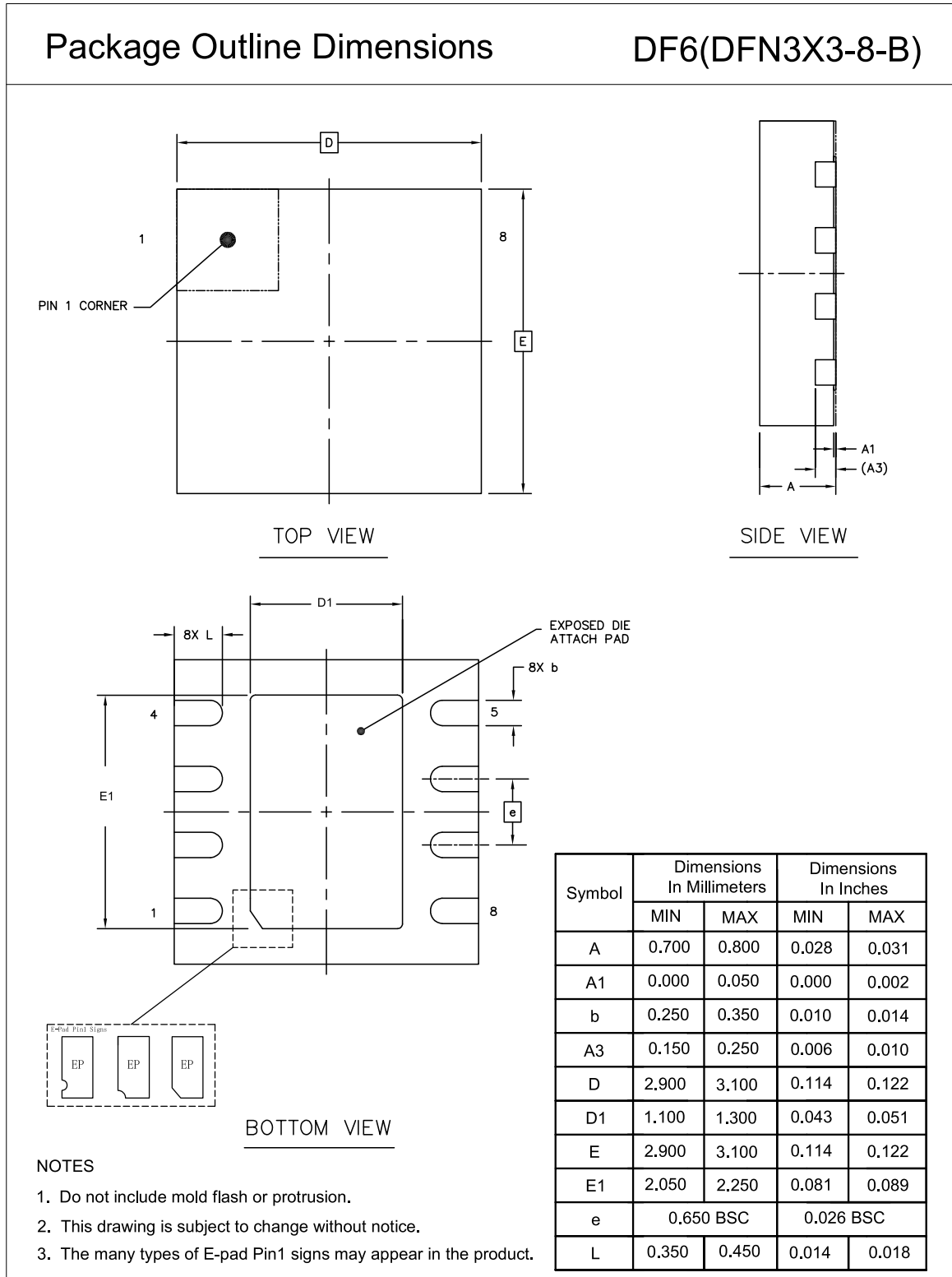
NOTES

1. Do not include mold flash or protrusion.
2. This drawing is subject to change without notice.

DFN2X2-8



DFN3X3-8



**Order Information**

| Order Number    | Operating Ambient Temperature Range | Package  | Marking Information | MSL  | Transport Media, Quantity | Eco Plan |
|-----------------|-------------------------------------|----------|---------------------|------|---------------------------|----------|
| TPM27523-EV1R   | -40 °C to 125 °C <sup>(1)</sup>     | EMSOP8   | M523                | MSL3 | Tape and Reel,3000        | Green    |
| TPM27523-SO1R   | -40 °C to 125 °C <sup>(1)</sup>     | SOP8     | M523                | MSL3 | Tape and Reel,4000        | Green    |
| TPM27524-DF4R   | -40 °C to 125 °C <sup>(1)</sup>     | DFN2X2-8 | M524                | MSL3 | Tape and Reel,3000        | Green    |
| TPM27524-DF6R   | -40 °C to 125 °C <sup>(1)</sup>     | DFN3X3-8 | M524                | MSL3 | Tape and Reel,4000        | Green    |
| TPM27524-EV1R   | -40 °C to 125 °C <sup>(1)</sup>     | EMSOP8   | M524                | MSL3 | Tape and Reel,3000        | Green    |
| TPM27524-SO1R   | -40 °C to 125 °C <sup>(1)</sup>     | SOP8     | M524                | MSL3 | Tape and Reel,4000        | Green    |
| TPM27524-SO1R-S | -40 °C to 125 °C <sup>(1)</sup>     | SOP8     | M524                | MSL3 | Tape and Reel,4000        | Green    |
| TPM27525-SO1R   | -40 °C to 125 °C <sup>(1)</sup>     | SOP8     | M525                | MSL3 | Tape and Reel,4000        | Green    |
| TPM27526-DF6R-S | -40 °C to 125 °C <sup>(1)</sup>     | DFN3X3-8 | M526                | MSL2 | Tape and Reel,4000        | Green    |
| TPM27526-SO1R   | -40 °C to 125 °C <sup>(1)</sup>     | SOP8     | M526                | MSL3 | Tape and Reel,4000        | Green    |

(1) Ambient temperature indicates device operation condition range. Application thermal behavior needs to be taken care of when operating in high-temperature scenarios.

(2) Contact 3PEAK representatives for more information.

**Green:** 3PEAK defines "Green" to mean RoHS compatible and free of halogen substances.

## IMPORTANT NOTICE AND DISCLAIMER

**Copyright**© 3PEAK 2012-2024. All rights reserved.

**Trademarks.** Any of the 思瑞浦 or 3PEAK trade names, trademarks, graphic marks, and domain names contained in this document /material are the property of 3PEAK. You may NOT reproduce, modify, publish, transmit or distribute any Trademark without the prior written consent of 3PEAK.

**Performance Information.** Performance tests or performance range contained in this document/material are either results of design simulation or actual tests conducted under designated testing environment. Any variation in testing environment or simulation environment, including but not limited to testing method, testing process or testing temperature, may affect actual performance of the product.

**Disclaimer.** 3PEAK provides technical and reliability data (including data sheets), design resources (including reference designs), application or other design recommendations, networking tools, security information and other resources "As Is". 3PEAK makes no warranty as to the absence of defects, and makes no warranties of any kind, express or implied, including without limitation, implied warranties as to merchantability, fitness for a particular purpose or non-infringement of any third-party's intellectual property rights. Unless otherwise specified in writing, products supplied by 3PEAK are not designed to be used in any life-threatening scenarios, including critical medical applications, automotive safety-critical systems, aviation, aerospace, or any situations where failure could result in bodily harm, loss of life, or significant property damage. 3PEAK disclaims all liability for any such unauthorized use.