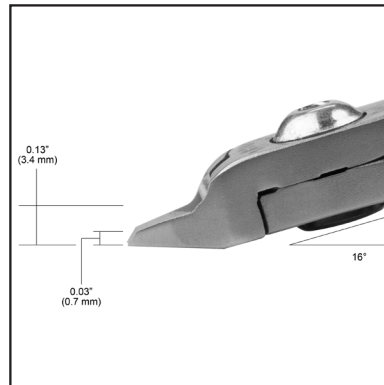
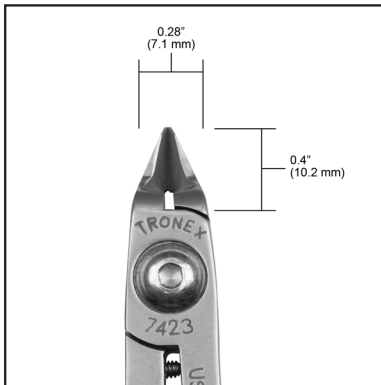




Features:

- **Application:** Taper Cutters have a pointed head that allows for increased cutting access yet has sufficient strength to avoid tip breakage when used within its capacity. Mini Taper Cutters are used only for exceptionally fine cutting work when access to the cutting area is difficult.
- **Head Shape:** Miniature Taper Relieved Head
- **Material:** Carbon Steel
- **Material Hardness:** 62-63 HRC
- **Handle Grips:** Cushion Double Sheathed, ESD Safe
- **RTT Resistance:** $<1 \times 10^{11}$ ohms tested per ANSI/ESD STM11.13 Two-Point Probe, resistance measurement for static dissipative materials

Item	Cutting Edge	Cutting Capacity (Soft Copper Wire)	Profile	Handle Length	Overall Length
7423	Razor Flush®	.004 in - .028 in 0.1 mm - 0.7 mm 38 - 21 AWG	Relief	Long Ergonomic	5.6 in 142 mm



Relief Profile

Specifications and procedures subject to change without notice.

Unless otherwise noted, tolerance is $\pm 10\%$.



Made in the United States of America

MINIATURE TAPER RELIEF RAZOR FLUSH® CUTTER, LONG HANDLE

2860 CORDELIA RD STE 230, FAIRFIELD CA, 94534
 PHONE: (909) 627-2453
 WEBSITE: TronexTools.com

DRAWING NUMBER
7423

DATE
September 2021

TRONEX