

4-Channel Enhanced High-Performance Digital Isolator

Features

- 150-Mbps Data Rate
- 5-kV RMS Isolation Rating (WSOP)
- ± 200 -kV/ μ s typ Static CMTI, ± 150 -kV/ μ s typ Dynamic CMTI
- Low Power Consumption, typ 3 mA/ch @1 Mbps
- Low Propagation Delay: 12 ns Typical
- Default Output Low (TPT774xF) and High (TPT774x)
- Wide Temperature Range: -40°C to $+125^{\circ}\text{C}$
- SOP16, QSOP16, and WSOP16 Package
- Robust Electromagnetic Compatibility (EMC)
 - Low Emissions
 - System Level ESD, EFT, and Surge Immunity
- Safety-Related Certifications:
 - VDE Certification according to DIN VDE V 0884-17(IEC60747-17)
 - 5000- V_{RMS} (WSOP16), 3750- V_{RMS} (SOP16, QSOP16) Isolation Rating per UL 1577
 - CQC Certification per GB 4943.1
 - CSA, TUV, and CB Certifications

Applications

- Industrial Automation
- Motor Control
- Power Supplies
- Isolated Interface and General-Purpose Isolation

Description

The TPT774x devices are high-performance, 4-channel digital isolators with 5000- V_{RMS} (WSOP16), and 3750- V_{RMS} (SOP16, QSOP16) isolation ratings per UL 1577. These devices are also to be certified by VDE, UL, CSA, TUV, CQC, and CB.

The TPT774x devices provide high reliability and high performance at low power consumption with isolating digital input and output. Each isolation signal channel is separated by a double capacitive silicon dioxide insulation barrier. The TPT7740 device has four channels in the same direction while the TPT7741 device has three channels in the forward direction and one channel in the opposite direction. The TPT7742 device has two channels in the forward direction and two channels in the opposite direction. In the event of input power or signal loss, the default output is low for devices with the suffix F and high for devices without the suffix F.

The common mode transient immunity (CMTI) and electromagnetic compatibility of the TPT774x devices have been significantly enhanced through innovative circuit design and optimized structure.

The TPT774x family is available in SOP16, QSOP16, and WSOP16 packages, and is characterized from -40°C to $+125^{\circ}\text{C}$.

Functional Block Diagram

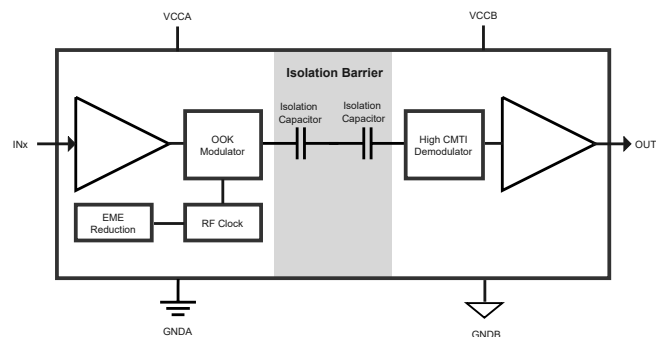


Table of Contents

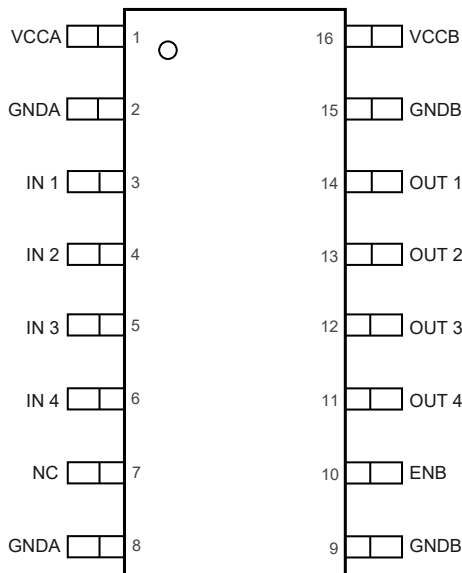
Features	1
Applications	1
Description	1
Functional Block Diagram	1
Revision History	3
Pin Configuration and Functions	4
Specifications	7
Absolute Maximum Ratings ⁽¹⁾	7
ESD, Electrostatic Discharge Protection.....	7
Recommended Operating Conditions.....	7
Thermal Information.....	8
Insulation Specifications.....	8
Safety-Related Certifications.....	10
Safety Limiting Values.....	11
Electrical Characteristics.....	12
Timing Specifications – 5-V Supply.....	13
Supply Current Characteristics – 5-V Supply.....	14
Timing Specifications – 3.3-V Supply.....	15
Supply Current Characteristics – 3.3-V Supply.....	16
Timing Specifications – 2.5-V Supply.....	17
Supply Current Characteristics – 2.5-V Supply.....	18
Test Circuits and Waveforms.....	19
Detailed Description	21
Overview.....	21
Functional Block Diagram.....	21
Feature Description.....	22
Application and Implementation	24
Typical Application.....	24
Tape and Reel Information	25
Package Outline Dimensions	27
SOP16.....	27
QSOP16.....	28
WSOP16.....	29
Order Information	30
IMPORTANT NOTICE AND DISCLAIMER	31

Revision History

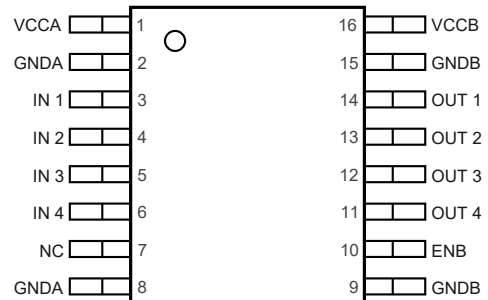
Date	Revision	Notes
2021-08-02	Rev.Pre.0	Initial Version
2022-03-20	Rev.A.0	Released Version
2023-08-15	Rev.A.1	Update supply current characteristics

Pin Configuration and Functions

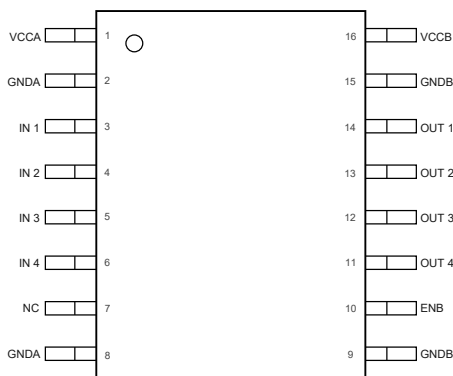
TPT7740
SOP16
Top View



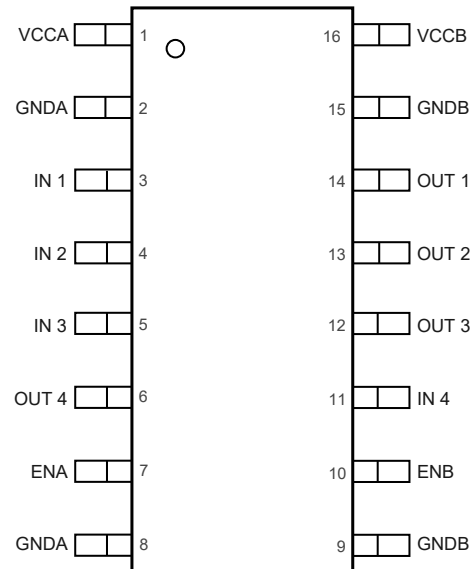
TPT7740
QSOP16
Top View



TPT7740
WSOP16
Top View

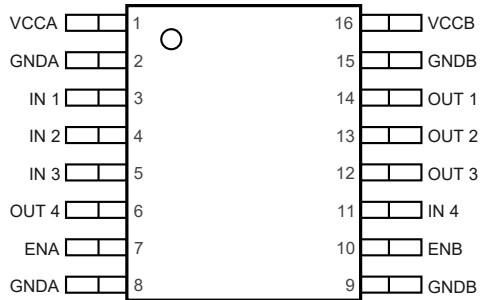


TPT7741
SOP16
Top View

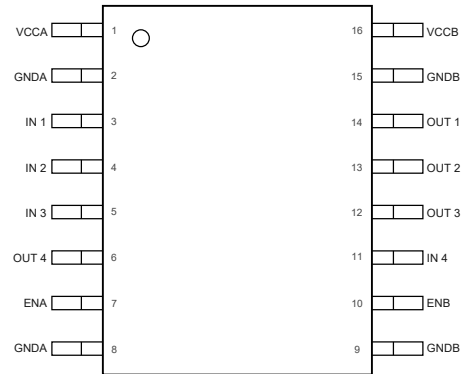


4-Channel Enhanced High-Performance Digital Isolator

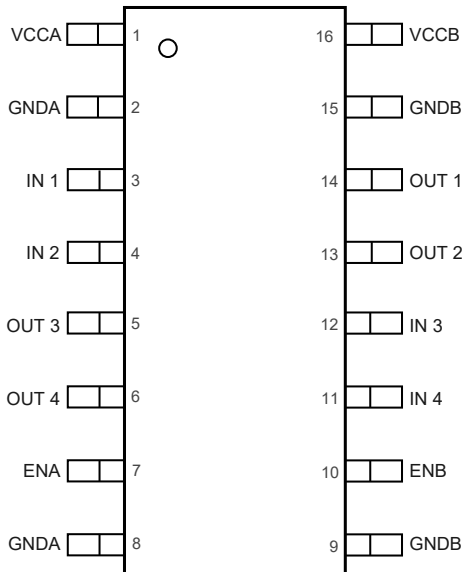
TPT7741
QSOP16
Top View



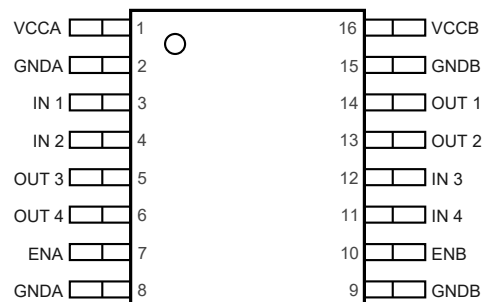
TPT7741
WSOP16
Top View



TPT7742
SOP16
Top View



TPT7742
QSOP16
Top View



4-Channel Enhanced High-Performance Digital Isolator

TPT7742
 WSOP16
 Top View

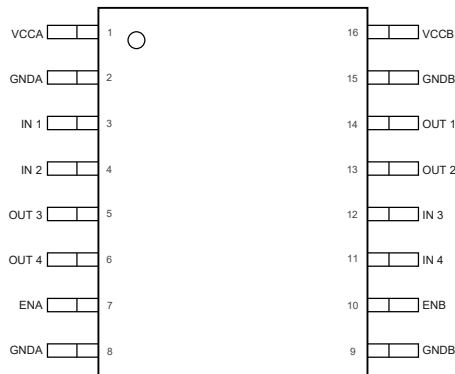


Table 1. Pin Functions: TPT774x

Pin			Name	I/O	Description
TPT7740	TPT7741	TPT7742			
1	1	1	VCCA	–	Power supply, VCCA
2	2	2	GNDA	–	Ground connection for VCCA
3	3	3	IN1	I	Input, channel 1
4	4	4	IN2	I	Input, channel 2
5	5	12	IN3	I	Input, channel 3
6	11	11	IN4	I	Input, channel 4
7	-	-	NC		
-	7	7	ENA	I	Side A enable pin
8	8	8	GNDA	–	Ground connection for VCCA
9	9	9	GNDB	–	Ground connection for VCCB
10	10	10	ENB	I	Side B enable pin
11	6	6	OUT4	O	Output, channel 4
12	12	5	OUT3	O	Output, channel 3
13	13	13	OUT2	O	Output, channel 2
14	14	14	OUT1	O	Output, channel 1
15	15	15	GNDB	–	Ground connection for VCCB
16	16	16	VCCB	–	Power supply, VCCB

(1) ENA: Side A OUTx enable when ENA = high or open, and in high-impedance state when ENA is low.

(2) ENB: Side B OUTx enable when ENB = high or open, and in high-impedance state when ENB is low.

4-Channel Enhanced High-Performance Digital Isolator

Specifications

Absolute Maximum Ratings ⁽¹⁾

Parameter		Min	Max	Unit
V _{CC}	Supply Voltage, V _{CCA} , V _{CCB}	-0.5	6	V
V _{IO}	Voltage at IN _x , OUT _x , EN _x	-0.5	V _{CC} + 0.5	V
I _O	Output Current	-15	15	mA
T _J	Operating Virtual Junction Temperature	-	150	°C
T _{stg}	Storage Temperature	-65	150	°C

(1) Stresses beyond those listed under Absolute Maximum Ratings may cause permanent damage to the device. Exposure to any Absolute Maximum Rating condition for extended periods may affect device reliability and lifetime.

(2) This data was taken with the JEDEC low effective thermal conductivity test board.

(3) This data was taken with the JEDEC standard multilayer test boards.

ESD, Electrostatic Discharge Protection

Parameter	Condition	Value	Unit
HBM, per ANSI/ESDA/JEDEC JS-001/ANSI/ESD STM5.5.1 ⁽¹⁾	All Pin	±8	kV
CDM, per ANSI/ESDA/JEDEC JS-002 ⁽²⁾	All Pin	±2	kV
Latch up, per JESD78	All Pin	±600	mA

(1) JEDEC document JEP155 states that 500-V HBM allows safe manufacturing with a standard ESD control process.

(2) JEDEC document JEP157 states that 250-V CDM allows safe manufacturing with a standard ESD control process.

Recommended Operating Conditions

Parameter		Min	Typ	Max	Unit	
V _{CCX}	Supply Voltage, V _{CCA} , V _{CCB} ⁽¹⁾	2.25	-	5.5	V	
V _{CC(UVLO+)}	UVLO threshold when supply voltage is rising ⁽²⁾	-	2	2.25	V	
V _{CC(UVLO-)}	UVLO threshold when supply voltage is falling ⁽²⁾	1.7	1.85	-	V	
V _{HYS(UVLO)}	Supply Voltage UVLO Hysteresis	60	150	-	mV	
I _{OH}	High-Level Output Current	V _{CCB} = 5 V	-4	-	-	mA
		V _{CCB} = 3.3 V	-2	-	-	mA
		V _{CCB} = 2.5 V	-1	-	-	mA
I _{OL}	High-Level Output Current	V _{CCB} = 5 V	-	-	4	mA
		V _{CCB} = 3.3 V	-	-	2	mA
		V _{CCB} = 2.5 V	-	-	1	mA
V _{IH}	High-Level Input Voltage (data input)	2	-	V _{CC}	V	
V _{IL}	Low-Level Input Voltage (data input)	0	-	0.8	V	
f _{data}	Data Rate ⁽³⁾	0	-	150	Mbps	
T _A	Operating Ambient Temperature	-40	25	125	°C	

4-Channel Enhanced High-Performance Digital Isolator

- (1) V_{CCA} is input side V_{CC} ; V_{CCB} is output side V_{CC} ;
 (2) $V_{CC(UVLO+)}$, $V_{CC(UVLO-)}$, $V_{HYS(UVLO)}$ are same to V_{CCA} and V_{CCB} ;
 (3) 150 Mbps is the data rate tested in lab, although higher data rates are possible.

Thermal Information

Package Type	θ_{JA}	θ_{JC}	Unit
SOP16	79	31	°C/W
QSOP16	112	58	°C/W
WSOP16	93	52	°C/W

Insulation Specifications

Parameter		Conditions	Value			Unit
			SOP16	QSOP16	WSOP16	
CLR	External clearance	Shortest terminal-to-terminal distance through air	> 4.0	> 4.0	> 8.0	mm
CPG	External creepage	Shortest terminal-to-terminal distance across the package surface	> 4.0	> 4.0	> 8.0	mm
DTI	Distance through the insulation	Minimum internal gap (internal clearance)	> 22	> 22	> 22	μm
DTC	Distance through the Molding compound	Minimum internal distance across the conductors inside the package	0.45	0.45	0.8	mm
CTI	Comparative tracking index		> 600	> 600	> 600	V
	Material group		I	I	I	
	Over-voltage category	For Rated Mains Voltage ≤ 150 V_{RMS}	I-IV	I-IV	I-IV	
		For Rated Mains Voltage ≤ 300 V_{RMS}	I-III	I-III	I-IV	
		For Rated Mains Voltage ≤ 600 V_{RMS}	I-II	I-II	I-IV	
		For Rated Mains Voltage ≤ 1000 V_{RMS}	I	I	I-III	
	Climatic category		40/125/21	40/125/21	40/125/21	
	Pollution degree		2	2	2	
DIN V VDE V 0884-17 (1)(2)						
V_{IORM}	Maximum repetitive isolation voltage	AC voltage	637	637	1414	V_{PK}
V_{IOWM}	Maximum working isolation voltage	AC voltage; TDDb Test	450	450	1000	V_{RMS}
		DC voltage	637	637	1414	V_{DC}
V_{IOTM}	Maximum transient isolation voltage	$V_{TEST} = V_{IOTM}$, $t = 60$ s (qualification); $V_{TEST} = 1.2 \times V_{IOTM}$, $t = 1$ s (100% production)	5300	5300	7070	V_{PK}

4-Channel Enhanced High-Performance Digital Isolator

Parameter		Conditions	Value			Unit
			SOP16	QSOP16	WSOP16	
V_{IOSM}	Maximum surge isolation voltage ⁽³⁾	Test method per IEC 62368-1, 1.2/50 μ s waveform, $V_{TEST} = 1.3 \times V_{IOSM}$ (qualification)	5980	5980	6500	V_{PK}
q_{pd}	Apparent charge	Method a, After Input/Output safety test subgroup 2/3, $V_{ini} = V_{IOTM}$, $t_{ini} = 60$ s; $V_{pd(m)} = 1.2 \times V_{IORM}$, $t_m = 10$ s	≤ 5	≤ 5	≤ 5	pC
		Method a, After environmental tests subgroup 1, $V_{ini} = V_{IOTM}$, $t_{ini} = 60$ s; $V_{pd(m)} = 1.6 \times V_{IORM}$, $t_m = 10$ s	≤ 5	≤ 5	≤ 5	
		Method b1; At routine test (100% production) and preconditioning (type test), $V_{ini} = 1.2 \times V_{IOTM}$, $t_{ini} = 1$ s; $V_{pd(m)} = 1.875 \times V_{IORM}$, $t_m = 1$ s	≤ 5	≤ 5	≤ 5	
C_{IO}	Isolation capacitance	$V_{IO} = 0.4 \times \sin(2\pi ft)$, $f = 1$ MHz	~ 0.5	~ 0.5	~ 0.5	pF
R_{IO}	Isolation resistance	$V_{IO} = 500$ V, $T A = 25^\circ C$	$> 10^{12}$	$> 10^{12}$	$> 10^{12}$	Ω
		$V_{IO} = 500$ V, $100^\circ C \leq T A \leq 125^\circ C$	$> 10^{11}$	$> 10^{11}$	$> 10^{11}$	Ω
		$V_{IO} = 500$ V at $T S = 150^\circ C$	$> 10^9$	$> 10^9$	$> 10^9$	Ω
UL 1577						
V_{ISO}	Withstanding isolation voltage	$V_{TEST} = V_{ISO}$, $t = 60$ s (qualification); $V_{TEST} = 1.2 \times V_{ISO}$, $t = 1$ s (100% production)	3750	3750	5000	V_{RMS}

- (1) All pins on each side of the barrier are tied together creating a two-terminal device.
- (2) This coupler is suitable for safe electrical insulation only within the safety operating ratings. Compliance with the safety ratings shall be ensured by means of suitable protective circuits.
- (3) Testing must be carried out in oil.

4-Channel Enhanced High-Performance Digital Isolator
Safety-Related Certifications

VDE	UL	TUV	CQC	CSA	CB
Certified according to DIN VDE V 0884-17	Certified according to UL 1577 and CSA Component Acceptance Notice 5A	Certified according to EN IEC 62368-1 and EN IEC 61010-1	Certified according to GB 4943.1	Certified CSA C22.2 No. 62368-1 and CAN/CSA-C22.2 No. 60601-1	Certified according to EN IEC 62368-1
Basic insulation (WSOP) VIORM= 1414 VIOSM= 6500 (SOP, QSOP) VIORM= 637 VIOSM= 5980	(WSOP)Single protection, 5000Vrms (SOP, QSOP)Single protection, 3750Vrms	6400Vrms reinforced insulation (WSOP), 800Vrms maximum work voltage. 4000Vrms basic insulation (SOP, QSOP), 400V rms maximum work voltage.	Reinforced insulation (WSOP), Altitude<=5000m, 800V rms maximum work voltage. Basic insulation (SOP, QSOP), Altitude<=5000m, 400V rms maximum work voltage.	400Vrms basic insulation (SOP, QSOP) and 600V rms reinforced insulation (WSOP) working voltage per CSA C22.2 No. 62368-1:19 3rd, IEC 62368-1:2018 Ed. 3(in pollution degree 2, material group I) 2 MOPP (Means of Patient Protection) insulation requirements for 250Vrms (WSOP) in CAN/CSA-C22.2 No. 60601-1:14, IEC 60601-1:2005 + AMD1:2012	Reinforced insulation (WSOP), Altitude<=5000m, 800V rms maximum work voltage. Basic insulation (SOP, QSOP), Altitude<=5000m, 400V rms maximum work voltage.
Certificate No. 40054570	Report Reference E524241	Customer Number : 2332359	Certificate No. CQC22001332218 CQC22001332219 CQC22001356662	Master contract: 302375	Ref. Certif. No. CN57659 CN56354 CN56355

4-Channel Enhanced High-Performance Digital Isolator
Safety Limiting Values

Parameter	Conditions ⁽¹⁾	Min	Typ	Max	Unit
Safety Supply Current	$R_{\theta JA} = 79^{\circ}\text{C/W}$, $V_I = 5\text{ V}$, $T_J = 150^{\circ}\text{C}$, $T_A = 25^{\circ}\text{C}$ (SOP16)	-	-	316.4	mA
	$R_{\theta JA} = 112^{\circ}\text{C/W}$, $V_I = 5\text{ V}$, $T_J = 150^{\circ}\text{C}$, $T_A = 25^{\circ}\text{C}$ (QSOP16)	-	-	223.2	
	$R_{\theta JA} = 93^{\circ}\text{C/W}$, $V_I = 5\text{ V}$, $T_J = 150^{\circ}\text{C}$, $T_A = 25^{\circ}\text{C}$ (WSOP16)	-	-	268.8	
Safety Total Power	$R_{\theta JA} = 79^{\circ}\text{C/W}$, $T_J = 150^{\circ}\text{C}$, $T_A = 25^{\circ}\text{C}$ (SOP16)	-	-	1582.2	mW
	$R_{\theta JA} = 112^{\circ}\text{C/W}$, $T_J = 150^{\circ}\text{C}$, $T_A = 25^{\circ}\text{C}$ (QSOP16)	-	-	1116.0	
	$R_{\theta JA} = 93^{\circ}\text{C/W}$, $T_J = 150^{\circ}\text{C}$, $T_A = 25^{\circ}\text{C}$ (WSOP16)	-	-	1344	
Maximum Safety Temperature		-	-	150	$^{\circ}\text{C}$

(1) The assumed junction-to-air thermal resistance in the Thermal Information is that of a device installed on a high-K test board for leaded surface-mount packages.

4-Channel Enhanced High-Performance Digital Isolator
Electrical Characteristics

All test condition is at $V_{CCA} = V_{CCB} = 2.25\text{ V to }5.5\text{ V}$, $T_A = -40^\circ\text{C to }+125^\circ\text{C}$, Typical value is in $V_{CC} = 3.3\text{ V}$, $T_A = +25^\circ\text{C}$, unless otherwise noted.

Parameter		Conditions	Min	Typ	Max	Unit
Input Electrical Specifications						
V_{IH}	Logic Input High Voltage	Input signal, INx	2.0	-	-	V
V_{IL}	Logic Input Low Voltage	Input signal, INx	-	-	0.8	V
V_{IT+}	Rising Input Threshold Voltage	Input signal, INx	-	1.6	2	V
V_{IT-}	Falling Input Threshold Voltage	Input signal, INx	0.8	1.2	-	V
V_{HYS}	Input Threshold Voltage Hysteresis		-	0.4	-	V
I_{IH}	High-Level Input Current	$V_{IH} = V_{CCA}$ at INx ⁽¹⁾	-	2.5	10	μA
I_{IL}	Low-Level Input Current	$V_{IL} = 0\text{ V}$ at INx ⁽¹⁾	-10	-2.5	-	μA
I_{OH}	High-Level Output Current	$V_{CCB} = 5\text{ V} \pm 10\%$	-4	-	-	mA
		$V_{CCB} = 3.3\text{ V} \pm 10\%$	-2	-	-	
		$V_{CCB} = 2.5\text{ V} \pm 10\%$	-1	-	-	
I_{OL}	Low-Level Output Current	$V_{CCB} = 5\text{ V} \pm 10\%$	-	-	4	mA
		$V_{CCB} = 3.3\text{ V} \pm 10\%$	-	-	2	
		$V_{CCB} = 2.5\text{ V} \pm 10\%$	-	-	1	
V_{OH}	High-Level Output Voltage	$V_{CCB} = 5\text{ V} \pm 10\%$, $I_{OH} = -4\text{ mA}$; Test OUTx	$V_{CCB} - 0.4$	$V_{CCB} - 0.2$	-	V
		$V_{CCB} = 3.3\text{ V} \pm 10\%$, $I_{OH} = -2\text{ mA}$; Test OUTx	$V_{CCB} - 0.3$	$V_{CCB} - 0.15$	-	
		$V_{CCB} = 2.5\text{ V} \pm 10\%$, $I_{OH} = -1\text{ mA}$; Test OUTx	$V_{CCB} - 0.2$	$V_{CCB} - 0.1$	-	
V_{OL}	Low-Level Output Voltage	$V_{CCB} = 5\text{ V} \pm 10\%$, $I_{OL} = 4\text{ mA}$; Test OUTx	-	0.2	0.4	V
		$V_{CCB} = 3.3\text{ V} \pm 10\%$, $I_{OL} = 2\text{ mA}$; Test OUTx	-	0.15	0.3	
		$V_{CCB} = 2.5\text{ V} \pm 10\%$, $I_{OL} = 1\text{ mA}$; Test OUTx	-	0.1	0.2	
CMTI	Common-Mode Transient Immunity	Static CMTI	150	200	-	$\text{kV}/\mu\text{s}$
		Dynamic CMTI	100	150	-	$\text{kV}/\mu\text{s}$
C_i	Input Capacitance ⁽¹⁾		-	2	-	pF

(1) Provided by bench test and design simulation

4-Channel Enhanced High-Performance Digital Isolator

Timing Specifications – 5-V Supply

All test condition is at $V_{CCA} = V_{CCB} = 5\text{ V} \pm 10\%$, $T_A = -40^\circ\text{C}$ to $+125^\circ\text{C}$. Typical value is in $V_{CC} = 5\text{ V}$, $T_A = +25^\circ\text{C}$, $C_L = 15\text{ pF}$ to GND, unless otherwise noted.

Parameter		Conditions	Min	Typ	Max	Unit
f_{DATA}	Translation data rate		-	-	150	Mpbs
t_{PLH}	Propagation delay time		-	11.5	22	ns
t_{PHL}	Propagation delay time		-	12	22	ns
PWD	Pulse width distortion ⁽¹⁾ $ t_{\text{PHL}} - t_{\text{PLH}} $		-	0.5	5	ns
$t_{\text{sk(CC)}}$	Channel-to-channel output skew time ⁽¹⁾⁽²⁾	Same direction channels	-	-	2.5	ns
$t_{\text{sk(PP)}}$	Channel-to-channel output skew time ⁽¹⁾⁽²⁾	Same direction channels	-	-	4.5	ns
t_r	Output signal rise time ⁽¹⁾		-	0.7	4	ns
t_f	Output signal fall time ⁽¹⁾		-	0.7	4	ns
t_{PHZ}	Disable propagation delay, high-to-high impedance output	$C_L = 15\text{ pF}$, $R_L = 1\text{ K}$	-	20	40	ns
t_{PLZ}	Disable propagation delay, low-to-high impedance output	$C_L = 15\text{ pF}$, $R_L = 1\text{ K}$	-	18	40	ns
t_{PZH}	Enable propagation delay, high impedance-to-high output	$C_L = 15\text{ pF}$, $R_L = 1\text{ K}$	-	10.4	40	ns
t_{PZL}	Enable propagation delay, high impedance-to-low output	$C_L = 15\text{ pF}$, $R_L = 1\text{ K}$	-	8.6	40	ns
Jitter	Eye jitter p-p ⁽¹⁾	$f_{\text{data}} = 100\text{ Mbps}$	-	340		ps
t_{DO}	Default output delay time from input power loss	Measured from the time V_{CC} goes below 1.7 V	-	30	80	ns
t_{SU}	Setup time		-	28	80	us
t_{ie}	Time interval error ⁽¹⁾	$2^{16} - 1$ PRBS data at 100 Mbps ⁽¹⁾	-	2.4	-	ns

(1) Provided by bench test and design simulation.

(2) $t_{\text{sk(CC)}}$ & $t_{\text{sk(PP)}}$ is the skew of delay time between the different channels of a single device or different devices switching in the same direction while operating at identical supply voltages, temperature, input signals, and loads.

4-Channel Enhanced High-Performance Digital Isolator
Supply Current Characteristics – 5-V Supply

All test condition is at $V_{CCA} = V_{CCB} = 5\text{ V} \pm 10\%$, $T_A = -40^\circ\text{C}$ to $+125^\circ\text{C}$. Typical value is in $V_{CC} = 5\text{ V}$, $T_A = +25^\circ\text{C}$, $C_L = 15\text{ pF}$ to GND, unless otherwise noted.

Parameter	Description	Supply Current	Min	Typ	Max	Unit		
TPT7740								
Supply current - DC signal	$V_I = 0\text{ V(TPT774xF)}$	I_{CCA}	-	1.8	2.8	mA		
	$V_I = V_{CC_I(TPT774x)}$	I_{CCB}	-	3.5	7.2			
	$V_I = V_{CC_I(TPT774xF)}$	I_{CCA}	-	9.5	24.3			
	$V_I = 0\text{ V(TPT774x)}$	I_{CCB}	-	3.9	6.5			
Supply current - AC signal	All channels switching with square wave clock input; $C_L = 15\text{ pF}$	1 Mbps	I_{CCA}	-	7.8		13.1	
			I_{CCB}	-	4.6		6.9	
		10 Mbps	I_{CCA}	-	8.0		11.1	
			I_{CCB}	-	6.6		10.3	
		100 Mbps	$I_{CCA}^{(1)}$	-	10.6	14.7		
			$I_{CCB}^{(1)}$	-	24.1	33.4		
		TPT7741						
		Supply current - DC signal	$V_I = 0\text{ V(TPT774xF)}$	I_{CCA}	-	2.4	4.1	mA
$V_I = V_{CC_I(TPT774x)}$	I_{CCB}		-	4.3	6.7			
$V_I = V_{CC_I(TPT774xF)}$	I_{CCA}		-	12.0	16.2			
$V_I = 0\text{ V(TPT774x)}$	I_{CCB}		-	7.0	10.0			
Supply current - AC signal	All channels switching with square wave clock input; $C_L = 15\text{ pF}$	1 Mbps	I_{CCA}	-	7.3	10.2		
			I_{CCB}	-	5.9	8.8		
		10 Mbps	I_{CCA}	-	8.9	11.0		
			I_{CCB}	-	7.9	10.5		
		100 Mbps	$I_{CCA}^{(1)}$	-	11.9	15.2		
			$I_{CCB}^{(1)}$	-	22	24.4		
		TPT7742						
		Supply current - DC signal	$V_I = 0\text{ V(TPT774xF)}$	I_{CCA}, I_{CCB}	-	3.2	5.5	mA
$V_I = V_{CC_I(TPT774x)}$	I_{CCA}, I_{CCB}		-	9.7	13.4			
Supply current - AC signal	All channels switching with square wave clock input; $C_L = 15\text{ pF}$	1 Mbps	I_{CCA}, I_{CCB}	-	6.4	9.4		
		10 Mbps	I_{CCA}, I_{CCB}	-	7.6	11.0		
		100 Mbps	$I_{CCA}, I_{CCB}^{(1)}$	-	16.7	23.1		

(1) Provided by bench test and design simulation.

(2) V_{CC_I} is the VCC of V_I .

4-Channel Enhanced High-Performance Digital Isolator

Timing Specifications – 3.3-V Supply

All test condition is at $V_{CCA} = V_{CCB} = 3.3 \text{ V} \pm 10\%$, $T_A = -40^\circ\text{C}$ to $+125^\circ\text{C}$. Typical value is in $V_{CC} = 3.3 \text{ V}$, $T_A = +25^\circ\text{C}$, $C_L = 15 \text{ pF}$ to GND, unless otherwise noted.

Parameter		Conditions	Min	Typ	Max	Unit
f_{DATA}	Translation data rate		-	-	150	Mpbs
t_{PLH}	Propagation delay time		-	12.5	22	ns
t_{PHL}	Propagation delay time		-	12.2	22	ns
PWD	Pulse width distortion ⁽¹⁾ $ t_{\text{PHL}} - t_{\text{PLH}} $		-	0.3	5	ns
$t_{\text{sk(CC)}}$	Channel-to-channel output skew time ⁽¹⁾⁽²⁾	Same direction channels	-	-	2.5	ns
$t_{\text{sk(PP)}}$	Channel-to-channel output skew time ⁽¹⁾⁽²⁾	Same direction channels	-	-	4.5	ns
t_r	Output signal rise time ⁽¹⁾		-	0.7	4	ns
t_f	Output signal fall time ⁽¹⁾		-	0.7	4	ns
t_{PHZ}	Disable propagation delay, high-to-high impedance output	$C_L = 15 \text{ pF}$, $R_L = 1 \text{ K}$	-	20	40	ns
t_{PLZ}	Disable propagation delay, low-to-high impedance output	$C_L = 15 \text{ pF}$, $R_L = 1 \text{ K}$	-	18.5	40	ns
t_{PZH}	Enable propagation delay, high impedance-to-high output	$C_L = 15 \text{ pF}$, $R_L = 1 \text{ K}$	-	14.9	40	ns
t_{PZL}	Enable propagation delay, high impedance-to-low output	$C_L = 15 \text{ pF}$, $R_L = 1 \text{ K}$	-	13.5	40	ns
Jitter	Eye jitter p-p ⁽¹⁾	$f_{\text{data}} = 100 \text{ Mbps}$	-	340	-	ps
t_{DO}	Default output delay time from input power loss	Measured from the time V_{CC} goes below 1.7 V.	-	30	80	ns
t_{SU}	Setup time		-	28	80	us
t_{ie}	Time interval error ⁽¹⁾	$2^{16} - 1$ PRBS data at 100 Mbps ⁽¹⁾	-	2.4	-	ns

(1) Provided by bench test and design simulation.

(2) $t_{\text{sk(CC)}}$ & $t_{\text{sk(PP)}}$ is the skew of delay time between the different channels of a single device or different devices switching in the same direction while operating at identical supply voltages, temperature, input signals, and loads.

4-Channel Enhanced High-Performance Digital Isolator
Supply Current Characteristics – 3.3-V Supply

All test condition is at $V_{CCA} = V_{CCB} = 3.3 \text{ V} \pm 10\%$, $T_A = -40^\circ\text{C}$ to $+125^\circ\text{C}$. Typical value is in $V_{CC} = 3.3 \text{ V}$, $T_A = +25^\circ\text{C}$, $C_L = 15 \text{ pF}$ to GND, unless otherwise noted.

Parameter	Description		Supply Current	Min	Typ	Max	Unit
TPT7740							
Supply current - DC signal	$V_I = 0 \text{ V(TPT774xF)}$		I_{CCA}	-	1.5	2.7	mA
	$V_I = V_{CCi}(\text{TPT774x})$		I_{CCB}	-	3.1	7.2	
	$V_I = V_{CCi}(\text{TPT774xF})$		I_{CCA}	-	8.7	24.1	
	$V_I = 0 \text{ V(TPT774x)}$		I_{CCB}	-	3.4	6.5	
Supply current - AC signal	All channels switching with square wave clock input; $C_L = 15 \text{ pF}$	1 Mbps	I_{CCA}	-	7.8	13.1	
			I_{CCB}	-	4.4	6.5	
		10 Mbps	I_{CCA}	-	8.1	11.0	
			I_{CCB}	-	5.6	8.0	
		100 Mbps	$I_{CCA}^{(1)}$	-	9.6	14.3	
			$I_{CCB}^{(1)}$	-	16.6	23.0	
TPT7741							
Supply current - DC signal	$V_I = 0 \text{ V(TPT774xF)}$		I_{CCA}	-	2.7	4.1	mA
	$V_I = V_{CCi}(\text{TPT774x})$		I_{CCB}	-	4.3	6.6	
	$V_I = V_{CCi}(\text{TPT774xF})$		I_{CCA}	-	12.0	16.0	
	$V_I = 0 \text{ V(TPT774x)}$		I_{CCB}	-	6.9	9.8	
Supply current - AC signal	All channels switching with square wave clock input; $C_L = 15 \text{ pF}$	1 Mbps	I_{CCA}	-	7.2	10.1	
			I_{CCB}	-	5.7	8.7	
		10 Mbps	I_{CCA}	-	8.4	10.5	
			I_{CCB}	-	7.1	9.8	
		100 Mbps	$I_{CCA}^{(1)}$	-	10.7	15.1	
			$I_{CCB}^{(1)}$	-	15.4	21.3	
TPT7742							
Supply current - DC signal	$V_I = 0 \text{ V(TPT774xF)}$		I_{CCA}, I_{CCB}	-	3.2	5.4	mA
	$V_I = V_{CCi}(\text{TPT774x})$		I_{CCA}, I_{CCB}	-	9.1	12.75	
Supply current - AC signal	All channels switching with square wave clock input; $C_L = 15 \text{ pF}$	1 Mbps	I_{CCA}, I_{CCB}	-	6.3	9.3	
		10 Mbps	I_{CCA}, I_{CCB}	-	7.0	11.0	
		100 Mbps	$I_{CCA}, I_{CCB}^{(1)}$	-	13.1	18.1	

(1) Provided by bench test and design simulation.

(2) V_{CCi} is the VCC of V_I .

4-Channel Enhanced High-Performance Digital Isolator
Timing Specifications – 2.5-V Supply

All test condition is at $V_{CCA} = V_{CCB} = 2.5\text{ V} \pm 10\%$, $T_A = -40^\circ\text{C}$ to $+125^\circ\text{C}$. Typical value is in $V_{CC} = 2.5\text{ V}$, $T_A = +25^\circ\text{C}$, $C_L = 15\text{ pF}$ to GND, unless otherwise noted.

Parameter		Conditions	Min	Typ	Max	Unit
f_{DATA}	Translation data rate		-	-	150	Mpbs
t_{PLH}	Propagation delay time		-	13.5	22	ns
t_{PHL}	Propagation delay time		-	12.2	22	ns
PWD	Pulse width distortion ⁽¹⁾ $ t_{\text{PHL}} - t_{\text{PLH}} $		-	1.3	5	ns
$t_{\text{sk(CC)}}$	Channel-to-channel output skew time ⁽¹⁾⁽²⁾	Same direction channels	-	-	2.5	ns
$t_{\text{sk(PP)}}$	Channel-to-channel output skew time ⁽¹⁾⁽²⁾	Same direction channels	-	-	4.5	ns
t_r	Output signal rise time ⁽¹⁾		-	0.7	4	ns
t_f	Output signal fall time ⁽¹⁾		-	0.7	4	ns
t_{PHZ}	Disable propagation delay, high-to-high impedance output	$C_L = 15\text{ pF}$, $R_L = 1\text{ K}$	-	24.5	40	ns
t_{PLZ}	Disable propagation delay, low-to-high impedance output	$C_L = 15\text{ pF}$, $R_L = 1\text{ K}$	-	21.5	40	ns
t_{PZH}	Enable propagation delay, high impedance-to-high output	$C_L = 15\text{ pF}$, $R_L = 1\text{ K}$	-	20	40	ns
t_{PZL}	Enable propagation delay, high impedance-to-low output	$C_L = 15\text{ pF}$, $R_L = 1\text{ K}$	-	17.7	40	ns
Jitter	Eye jitter p-p ⁽¹⁾	$f_{\text{data}} = 100\text{ Mbps}$	-	350	-	ps
t_{DO}	Default output delay time from input power loss	Measured from the time V_{CC} goes below 1.7 V.	-	30	80	ns
t_{SU}	Setup time		-	28	80	us
t_{ie}	Time interval error ⁽¹⁾	$2^{16} - 1$ PRBS data at 100 Mbps ⁽¹⁾	-	2.4	-	ns

(1) Provided by bench test and design simulation.

(2) $t_{\text{sk(CC)}}$ & $t_{\text{sk(PP)}}$ is the skew of delay time between different channels of a single device or different devices switching in the same direction while operating at identical supply voltages, temperature, input signals, and loads.

4-Channel Enhanced High-Performance Digital Isolator
Supply Current Characteristics – 2.5-V Supply

All test condition is at $V_{CCA} = V_{CCB} = 2.5\text{ V} \pm 10\%$, $T_A = -40^\circ\text{C}$ to $+125^\circ\text{C}$. Typical value is in $V_{CC} = 2.5\text{ V}$, $T_A = +25^\circ\text{C}$, $C_L = 15\text{ pF}$ to GND, unless otherwise noted.

Parameter	Description	Supply Current	Min	Typ	Max	Unit	
TPT7740							
Supply current - DC signal	$V_I = 0\text{ V}$ (TPT774xF) $V_I = V_{CCi}$ (TPT774x)	I_{CCA}	-	1.4	2.7	mA	
		I_{CCB}	-	3.1	7.1		
	$V_I = V_{CCi}$ (TPT774xF) $V_I = 0\text{ V}$ (TPT774x)	I_{CCA}	-	8.4	18.0		
		I_{CCB}	-	3.2	6.5		
Supply current - AC signal	All channels switching with square wave clock input; $C_L = 15\text{ pF}$	1 Mbps	I_{CCA}	-	7.7		13.1
			I_{CCB}	-	4.5		6.5
		10 Mbps	I_{CCA}	-	8.1		10.2
			I_{CCB}	-	5.4		8.0
		100 Mbps	$I_{CCA}^{(1)}$	-	10.1	14.0	
			$I_{CCB}^{(1)}$	-	13.1	18.1	
TPT7741							
Supply current - DC signal	$V_I = 0\text{ V}$ (TPT774xF) $V_I = V_{CCi}$ (TPT774x)	I_{CCA}	-	2.7	4.0	mA	
		I_{CCB}	-	4.3	6.5		
	$V_I = V_{CCi}$ (TPT774xF) $V_I = 0\text{ V}$ (TPT774x)	I_{CCA}	-	11.9	15.7		
		I_{CCB}	-	6.9	9.6		
Supply current - AC signal	All channels switching with square wave clock input; $C_L = 15\text{ pF}$	1 Mbps	I_{CCA}	-	7.2		10.0
			I_{CCB}	-	5.7		8.2
		10 Mbps	I_{CCA}	-	8.2		10.5
			I_{CCB}	-	6.8		9.1
		100 Mbps	$I_{CCA}^{(1)}$	-	10.9	15.0	
			$I_{CCB}^{(1)}$	-	13.4	18.6	
TPT7742							
Supply current - DC signal	$V_I = 0\text{ V}$ (TPT774xF) $V_I = V_{CCi}$ (TPT774x)	I_{CCA}, I_{CCB}	-	3.2	5.3	mA	
		I_{CCA}, I_{CCB}	-	8.3	12.5		
Supply current - AC signal	All channels switching with square wave clock input; $C_L = 15\text{ pF}$	1 Mbps	I_{CCA}, I_{CCB}	-	6.3		9.1
		10 Mbps	I_{CCA}, I_{CCB}	-	6.8		9.75
		100 Mbps	$I_{CCA}, I_{CCB}^{(1)}$	-	11.3		15.6

(1) Provided by bench test and design simulation.

(2) V_{CCi} is the VCC of V_I .

4-Channel Enhanced High-Performance Digital Isolator

Test Circuits and Waveforms

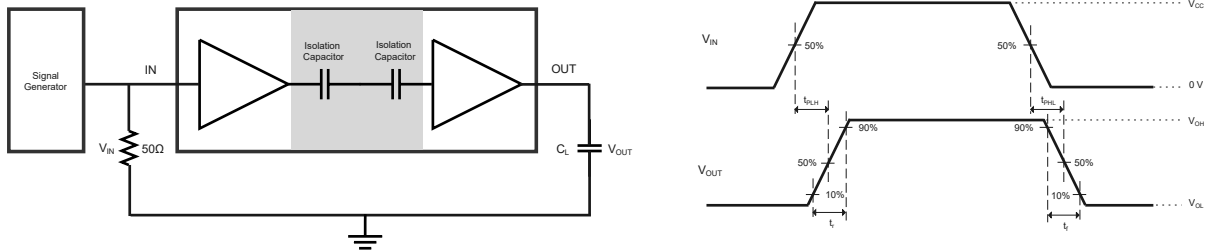


Figure 1. Switching Characteristics Test circuit and Waveforms

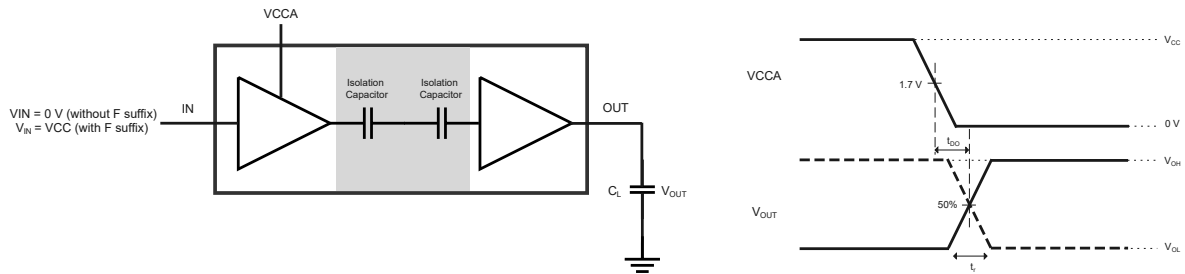


Figure 2. Default Output Delay Time Test Circuit and Voltage Waveforms

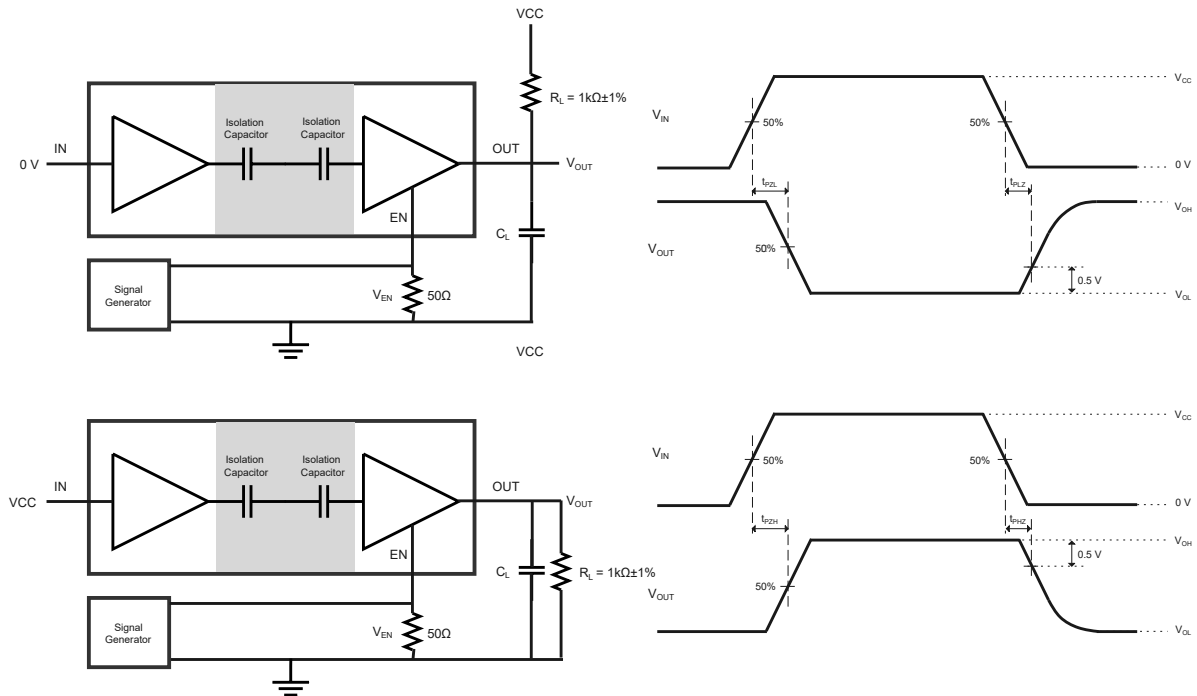


Figure 3. Enable/Disable propagation delay Test circuit and Waveforms

4-Channel Enhanced High-Performance Digital Isolator

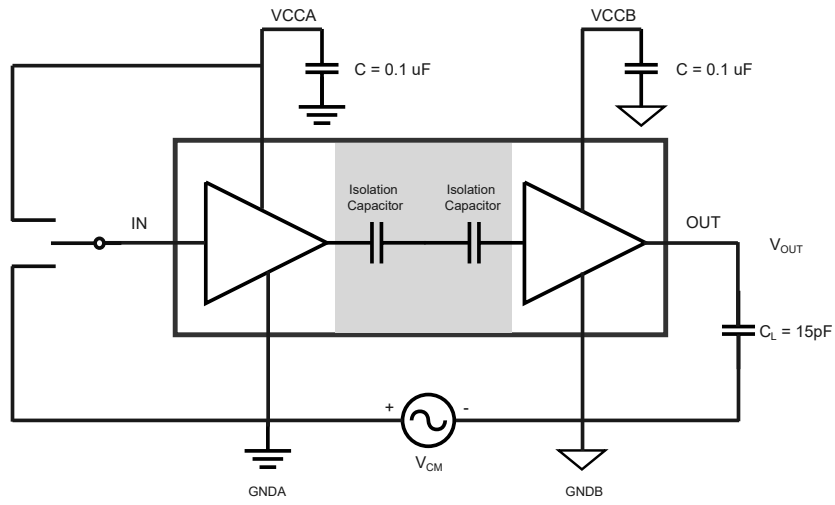


Figure 4. Common-Mode Transient Immunity Test Circuit

4-Channel Enhanced High-Performance Digital Isolator

Detailed Description

Overview

The TPT774x family utilize an ON-OFF Keying (OOK) modulation circuit to transmit the digital data through the isolation barrier. The transmitter sends a RF carrier to represent digital state one and sends no signal to represent the digital state zero. The devices also utilize advanced circuit design to maximise CMTI performance and minimise radiated emissions. The block diagram below shows a functional block diagram of a typical channel.

Functional Block Diagram

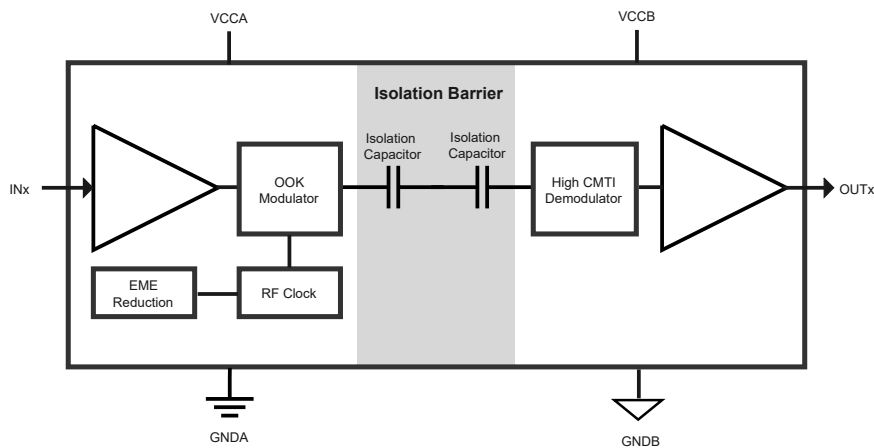


Figure 5. Block Diagram of Digital Capacitive Isolator

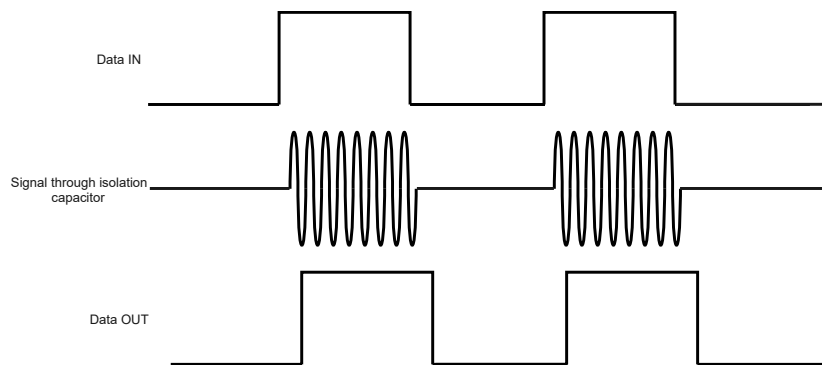


Figure 6. On-Off Keying (OOK) based Modulation Scheme

4-Channel Enhanced High-Performance Digital Isolator
Feature Description

The TPT774x family of devices is available in two-channel configurations and default output state options to enable a variety of application uses. The table below lists the device features of the TPT774x devices.

Part Number	Max Data rate	Channel Direction	Default Output State	Package	Rating Isolation
TPT7740	150 Mbps	4 Forward, 0 Reverse	High	WSOP16	5000 V _{RMS} / 7070 V _{PK}
				QSOP16	3750 V _{RMS} / 5300 V _{PK}
				SOP16	3750 V _{RMS} / 5300 V _{PK}
TPT7740F	150 Mbps	4 Forward, 0 Reverse	Low	WSOP16	5000 V _{RMS} / 7070 V _{PK}
				QSOP16	3750 V _{RMS} / 5300 V _{PK}
				SOP16	3750 V _{RMS} / 5300 V _{PK}
TPT7741	150 Mbps	3 Forward, 1 Reverse	High	WSOP16	5000 V _{RMS} / 7070 V _{PK}
				QSOP16	3750 V _{RMS} / 5300 V _{PK}
				SOP16	3750 V _{RMS} / 5300 V _{PK}
TPT7741F	150 Mbps	3 Forward, 1 Reverse	Low	WSOP16	5000 V _{RMS} / 7070 V _{PK}
				QSOP16	3750 V _{RMS} / 5300 V _{PK}
				SOP16	3750 V _{RMS} / 5300 V _{PK}
TPT7742	150 Mbps	2 Forward, 2 Reverse	High	WSOP16	5000 V _{RMS} / 7070 V _{PK}
				QSOP16	3750 V _{RMS} / 5300 V _{PK}
				SOP16	3750 V _{RMS} / 5300 V _{PK}
TPT7742F	150 Mbps	2 Forward, 2 Reverse	Low	WSOP16	5000 V _{RMS} / 7070 V _{PK}
				QSOP16	3750 V _{RMS} / 5300 V _{PK}
				SOP16	3750 V _{RMS} / 5300 V _{PK}

4-Channel Enhanced High-Performance Digital Isolator

Device Functional Modes

The below table lists the functional modes for the TPT774x devices.

VCC _i	VCC _o	Input (IN _x)	Enable (ENA, ENB)	Output (OUT _x)	Comments
Power up	Power up	High	High or Open	High	Normal Operation.
		Low	High or Open	Low	
		Open	High or Open	Default	Default mode. The default is High for TPT774x and Low for TPT774xF.
X	Power up	X	Low	Z	Disabled output is high impedance.
Power down	Power up	X	High or Open	Default	Default mode. When VCC _i is unpowered, the default is High for TPT774x and Low for TPT774xF.
X	Power down	X	X	Undetermined	When VCC _o is unpowered, a channel output is undetermined.

(1) VCC_i = Input-side V_{CCA}; VCC_o = Output-side V_{CCB}; Powered up (V_{CC} ≥ 2.25 V); Powered down (V_{CC} ≤ 1.7 V);

(2) X = Irrelevant; Z = High impedance

(3) The outputs are in the undetermined state when 1.7 V < VCC_i, VCC_o < 2.25 V.

Application and Implementation

Note

Information in the following application sections is not part of the 3PEAK's component specification and 3PEAK does not warrant its accuracy or completeness. 3PEAK's customers are responsible for determining suitability of components for their purposes. Customers should validate and test their design implementation to confirm system functionality.

Typical Application

Figure 7 is the TPT774x typical application. The two external bypass capacitors need to be close to the VCC power pin. The maximum distance is 2 mm.

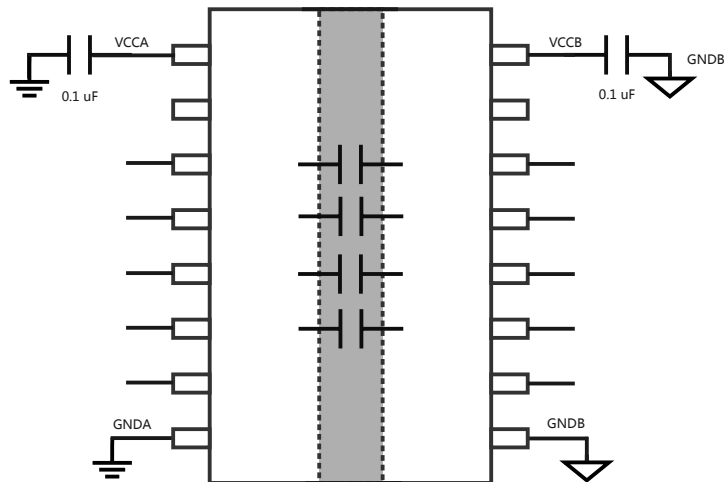
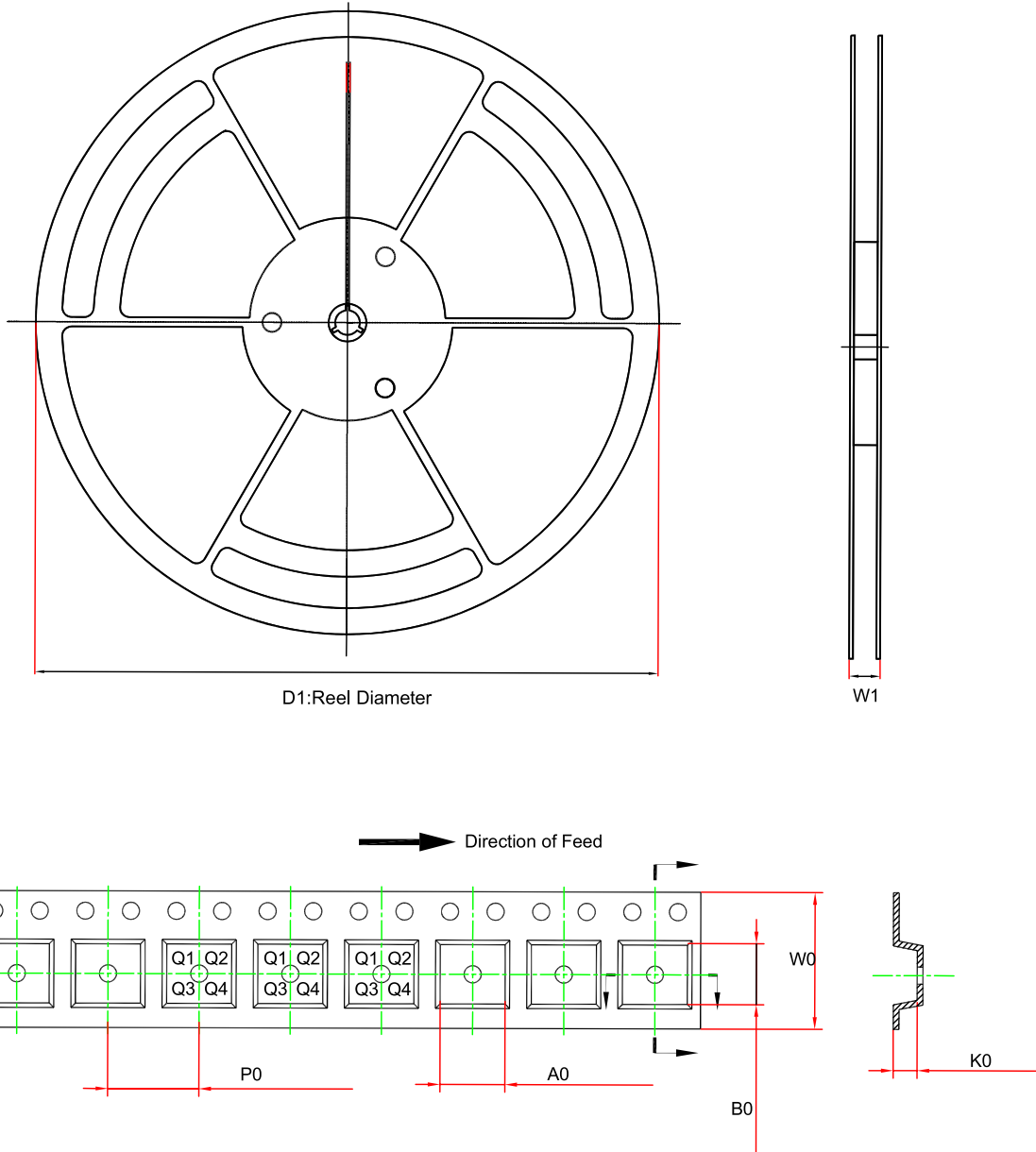


Figure 7. Typical Application

4-Channel Enhanced High-Performance Digital Isolator

Tape and Reel Information



Order Number	Package	D1 (mm)	W1 (mm)	A0 (mm)	B0 (mm)	K0 (mm)	P0 (mm)	W0 (mm)	Pin1 Quadrant
TPT7740-SO3R	SOP16	330	21.6	6.7	10.4	2.1	8.0	16.0	Q1
TPT7740F-SO3R	SOP16	330	21.6	6.7	10.4	2.1	8.0	16.0	Q1
TPT7741-SO3R	SOP16	330	21.6	6.7	10.4	2.1	8.0	16.0	Q1
TPT7741F-SO3R	SOP16	330	21.6	6.7	10.4	2.1	8.0	16.0	Q1
TPT7742-SO3R	SOP16	330	21.6	6.7	10.4	2.1	8.0	16.0	Q1
TPT7742F-SO3R	SOP16	330	21.6	6.7	10.4	2.1	8.0	16.0	Q1
TPT7740-SSAR	QSOP16	330	17.6	6.4	5.4	2.1	8.0	12.0	Q1

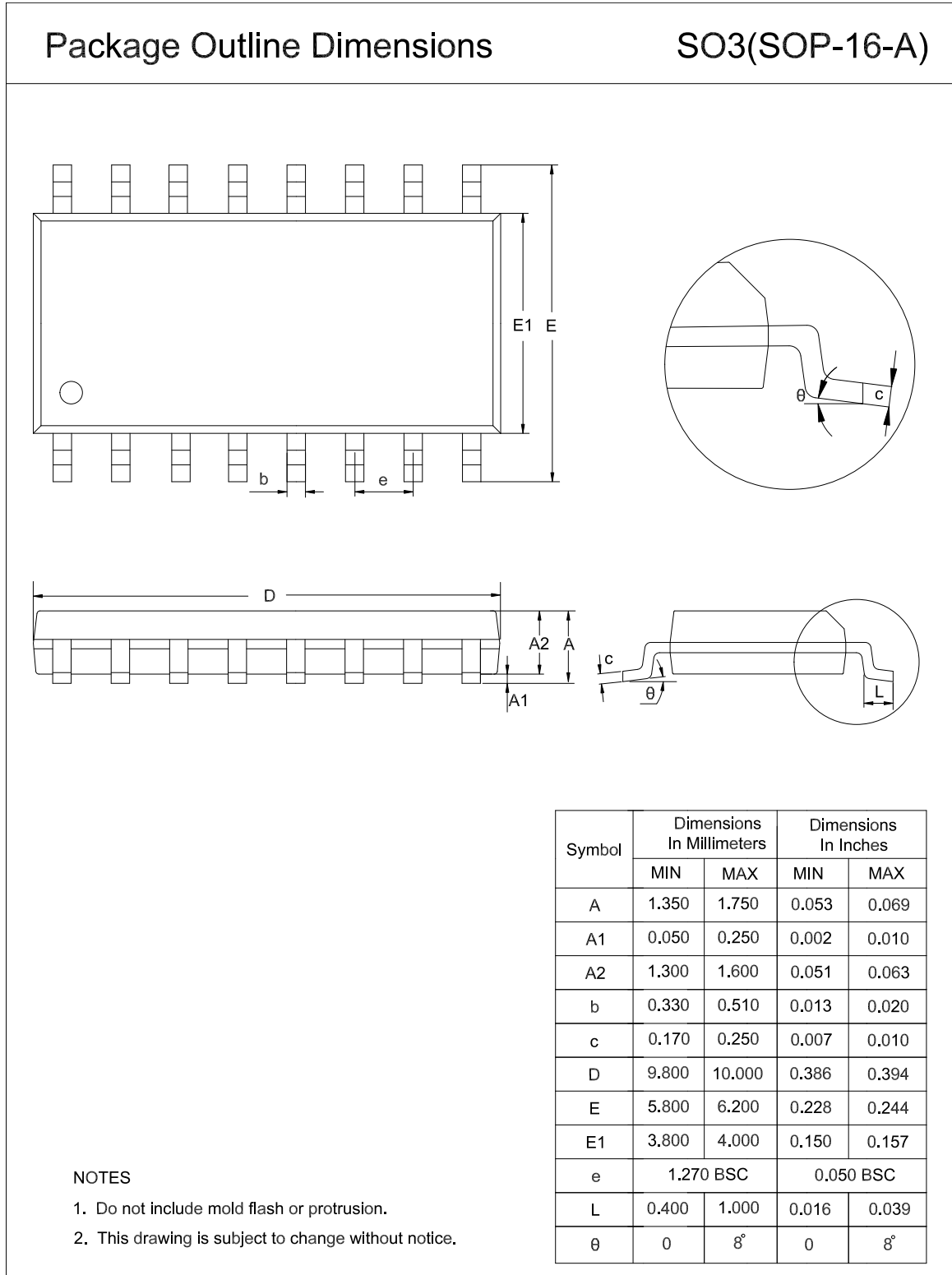
4-Channel Enhanced High-Performance Digital Isolator

Order Number	Package	D1 (mm)	W1 (mm)	A0 (mm)	B0 (mm)	K0 (mm)	P0 (mm)	W0 (mm)	Pin1 Quadrant
TPT7740F-SSAR	QSOP16	330	17.6	6.4	5.4	2.1	8.0	12.0	Q1
TPT7741-SSAR	QSOP16	330	17.6	6.4	5.4	2.1	8.0	12.0	Q1
TPT7741F-SSAR	QSOP16	330	17.6	6.4	5.4	2.1	8.0	12.0	Q1
TPT7742-SSAR	QSOP16	330	17.6	6.4	5.4	2.1	8.0	12.0	Q1
TPT7742F-SSAR	QSOP16	330	17.6	6.4	5.4	2.1	8.0	12.0	Q1
TPT7740-SOBR	WSOP16	330	22.4	10.9	10.8	3.0	12.0	16.0	Q1
TPT7740F-SOBR	WSOP16	330	22.4	10.9	10.8	3.0	12.0	16.0	Q1
TPT7741-SOBR	WSOP16	330	22.4	10.9	10.8	3.0	12.0	16.0	Q1
TPT7741F-SOBR	WSOP16	330	22.4	10.9	10.8	3.0	12.0	16.0	Q1
TPT7742-SOBR	WSOP16	330	22.4	10.9	10.8	3.0	12.0	16.0	Q1
TPT7742F-SOBR	WSOP16	330	22.4	10.9	10.8	3.0	12.0	16.0	Q1

4-Channel Enhanced High-Performance Digital Isolator

Package Outline Dimensions

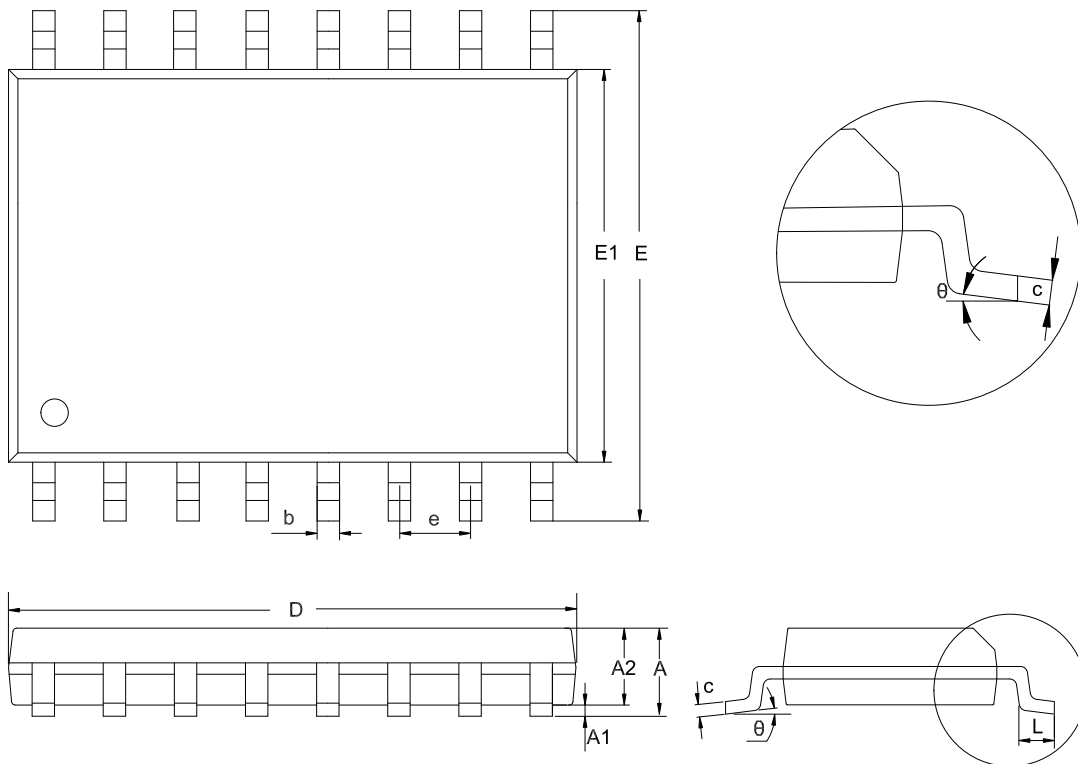
SOP16



QSOP16

Package Outline Dimensions

SSA(QSOP-16-A)



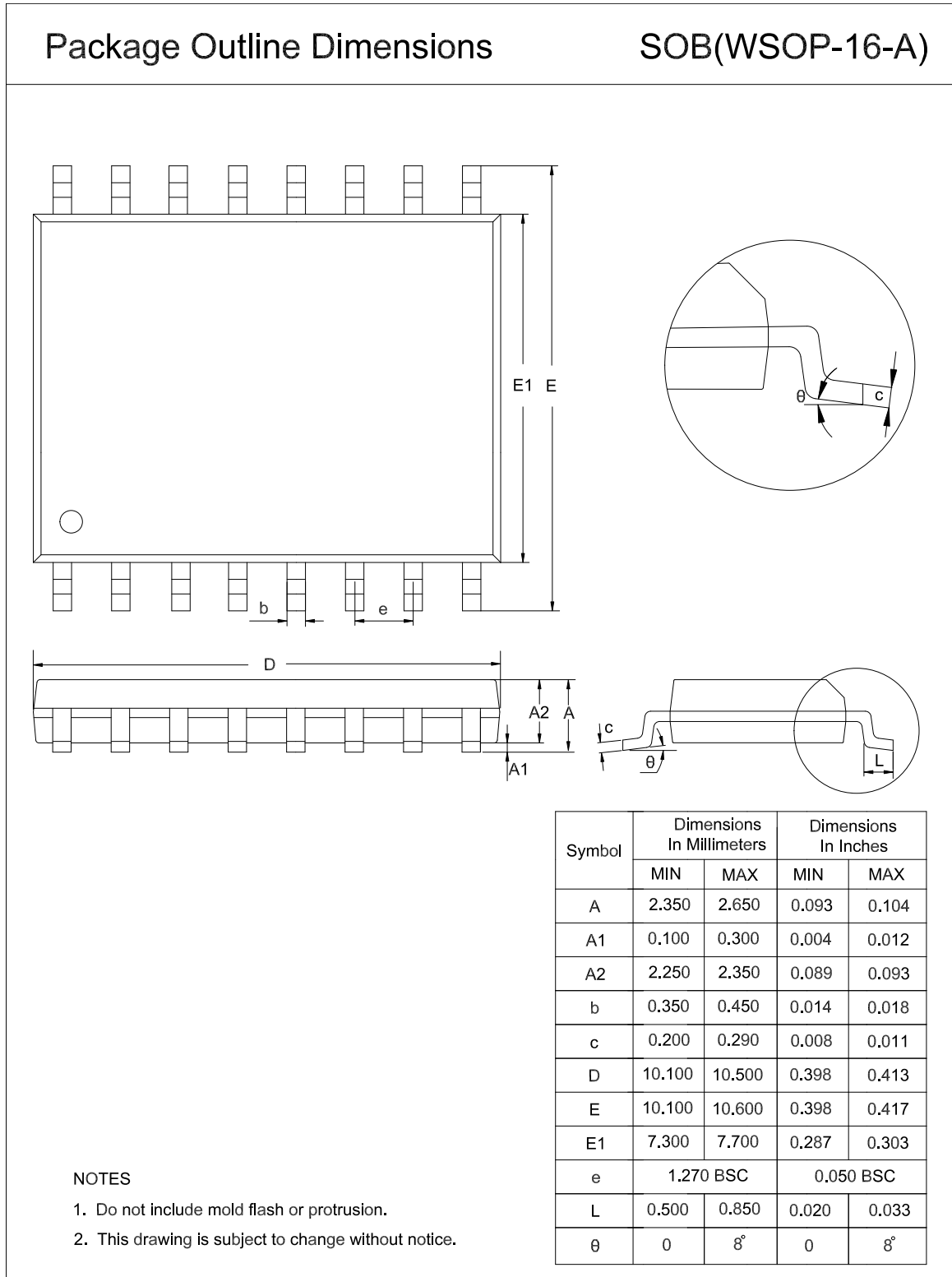
Symbol	Dimensions In Millimeters		Dimensions In Inches	
	MIN	MAX	MIN	MAX
A	1.350	1.750	0.053	0.069
A1	0.050	0.250	0.002	0.010
A2	1.300	1.500	0.051	0.059
b	0.230	0.310	0.009	0.012
c	0.170	0.250	0.007	0.010
D	4.800	5.000	0.189	0.197
E	5.800	6.200	0.228	0.244
E1	3.800	4.000	0.150	0.157
e	0.635 BSC		0.025 BSC	
L	0.400	0.800	0.016	0.031
θ	0	8°	0	8°

NOTES

1. Do not include mold flash or protrusion.
2. This drawing is subject to change without notice.

4-Channel Enhanced High-Performance Digital Isolator

WSOP16



4-Channel Enhanced High-Performance Digital Isolator
Order Information

Order Number	Operating Temperature Range	Package	Marking Information	MSL	Transport Media, Quantity	Eco Plan
TPT7740-SO3R	-40 to 125°C	16-Pin SOP	T7740	MSL3	Tape and Reel, 2500	Green
TPT7740F-SO3R	-40 to 125°C	16-Pin SOP	7740F	MSL3	Tape and Reel, 2500	Green
TPT7741-SO3R	-40 to 125°C	16-Pin SOP	T7741	MSL3	Tape and Reel, 2500	Green
TPT7741F-SO3R	-40 to 125°C	16-Pin SOP	7741F	MSL3	Tape and Reel, 2500	Green
TPT7742-SO3R	-40 to 125°C	16-Pin SOP	T7742	MSL3	Tape and Reel, 2500	Green
TPT7742F-SO3R	-40 to 125°C	16-Pin SOP	7742F	MSL3	Tape and Reel, 2500	Green
TPT7740-SSAR	-40 to 125°C	16-Pin QSOP	T7740	MSL3	Tape and Reel, 4000	Green
TPT7740F-SSAR	-40 to 125°C	16-Pin QSOP	7740F	MSL3	Tape and Reel, 4000	Green
TPT7741-SSAR	-40 to 125°C	16-Pin QSOP	T7741	MSL3	Tape and Reel, 4000	Green
TPT7741F-SSAR	-40 to 125°C	16-Pin QSOP	7741F	MSL3	Tape and Reel, 4000	Green
TPT7742-SSAR	-40 to 125°C	16-Pin QSOP	T7742	MSL3	Tape and Reel, 4000	Green
TPT7742F-SSAR	-40 to 125°C	16-Pin QSOP	7742F	MSL3	Tape and Reel, 4000	Green
TPT7740-SOBR	-40 to 125°C	16-Pin WSOP	T7740	MSL3	Tape and Reel, 1500	Green
TPT7740F-SOBR	-40 to 125°C	16-Pin WSOP	7740F	MSL3	Tape and Reel, 1500	Green
TPT7741-SOBR	-40 to 125°C	16-Pin WSOP	T7741	MSL3	Tape and Reel, 1500	Green
TPT7741F-SOBR	-40 to 125°C	16-Pin WSOP	7741F	MSL3	Tape and Reel, 1500	Green
TPT7742-SOBR	-40 to 125°C	16-Pin WSOP	T7742	MSL3	Tape and Reel, 1500	Green
TPT7742F-SOBR	-40 to 125°C	16-Pin WSOP	7742F	MSL3	Tape and Reel, 1500	Green

Green: 3PEAK defines "Green" to mean RoHS compatible and free of halogen substances.

4-Channel Enhanced High-Performance Digital Isolator

IMPORTANT NOTICE AND DISCLAIMER

Copyright© 3PEAK 2012-2023. All rights reserved.

Trademarks. Any of the 思瑞浦 or 3PEAK trade names, trademarks, graphic marks, and domain names contained in this document /material are the property of 3PEAK. You may NOT reproduce, modify, publish, transmit or distribute any Trademark without the prior written consent of 3PEAK.

Performance Information. Performance tests or performance range contained in this document/material are either results of design simulation or actual tests conducted under designated testing environment. Any variation in testing environment or simulation environment, including but not limited to testing method, testing process or testing temperature, may affect actual performance of the product.

Disclaimer. 3PEAK provides technical and reliability data (including data sheets), design resources (including reference designs), application or other design recommendations, networking tools, security information and other resources "As Is". 3PEAK makes no warranty as to the absence of defects, and makes no warranties of any kind, express or implied, including without limitation, implied warranties as to merchantability, fitness for a particular purpose or non-infringement of any third-party's intellectual property rights. Unless otherwise specified in writing, products supplied by 3PEAK are not designed to be used in any life-threatening scenarios, including critical medical applications, automotive safety-critical systems, aviation, aerospace, or any situations where failure could result in bodily harm, loss of life, or significant property damage. 3PEAK disclaims all liability for any such unauthorized use.

This page intentionally left blank