

Customer Information Sheet

IF IN DOUBT - ASK

©

NOT TO SCALE

THIRD ANGLE PROJECTION

ALL DIMENSIONS IN mm

ORDER CODE:

F10-200XXX45R

No. OF CONTACTS: 030, 040, 060, 080, 100, 120, 140, 160

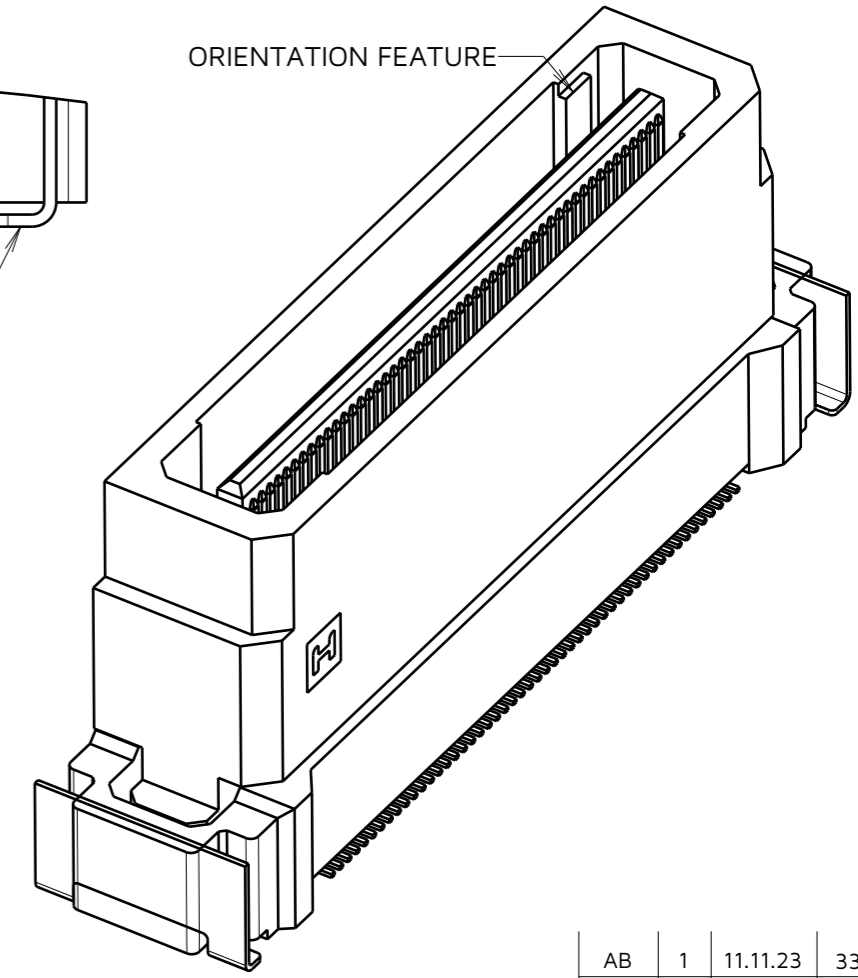
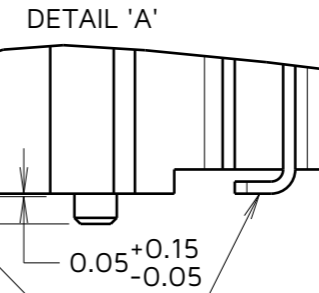
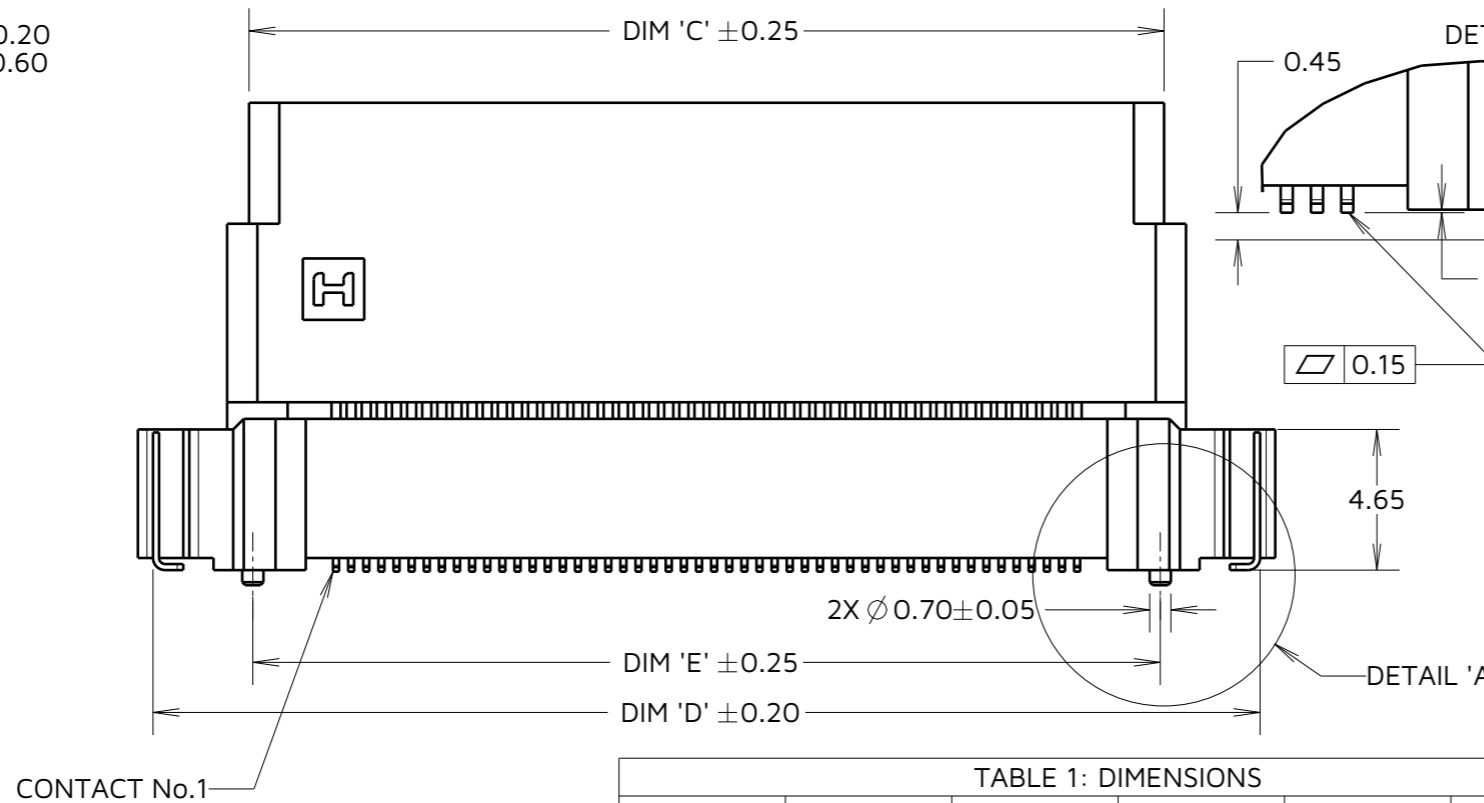
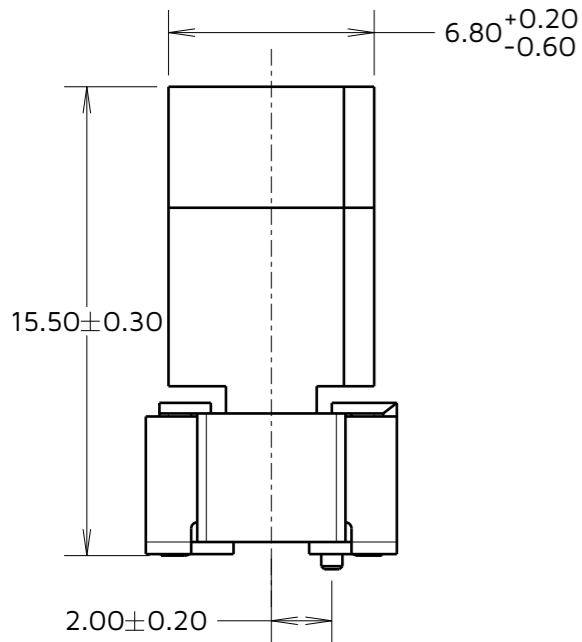
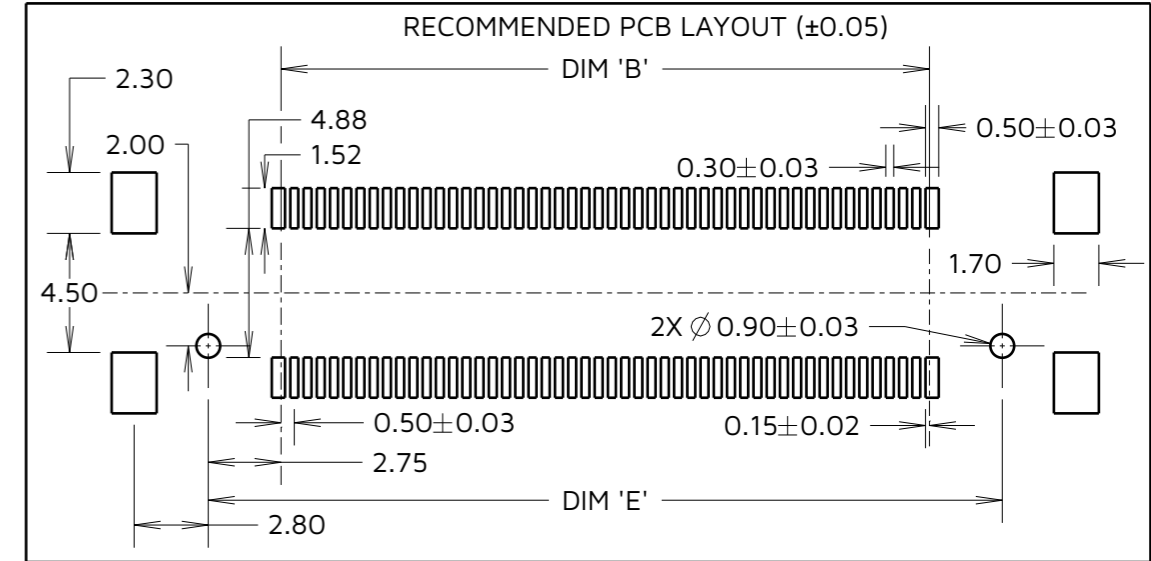
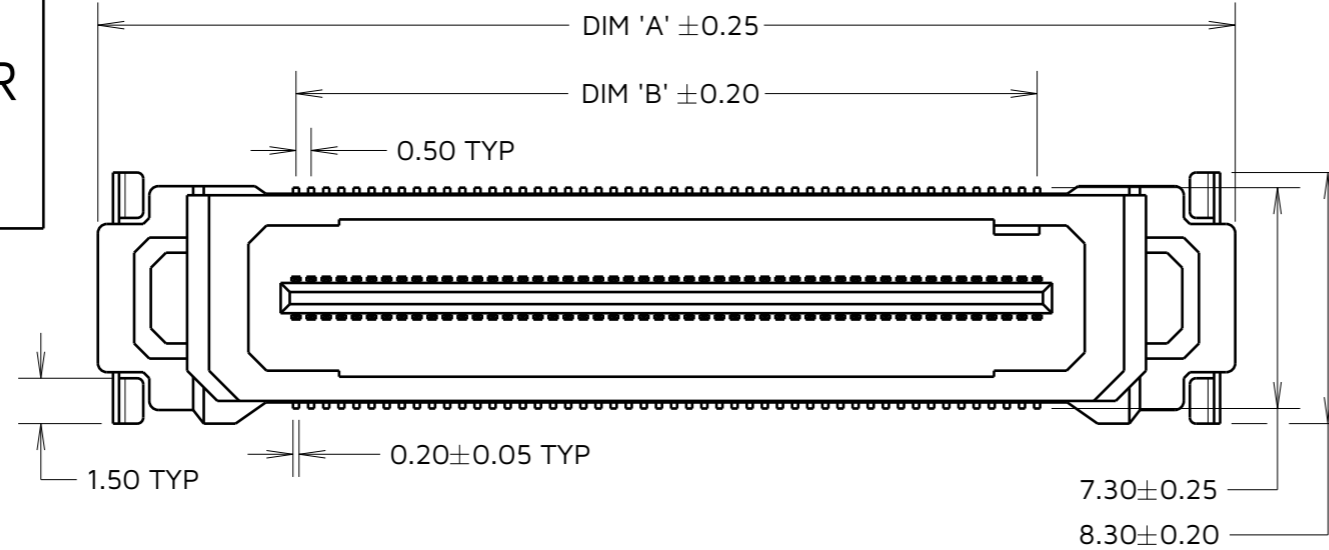


TABLE 1: DIMENSIONS

No. OF CONTACTS	DIM 'A'	DIM 'B'	DIM 'C'	DIM 'D'	DIM 'E'
30	20.10	07.00	12.75	19.10	12.50
40	22.60	09.50	15.25	21.60	15.00
60	27.60	14.50	20.25	26.60	20.00
80	32.60	19.50	25.25	31.60	25.00
100	37.60	24.50	30.25	36.60	30.00
120	42.60	29.50	35.25	41.60	35.00
140	47.60	34.50	40.25	46.60	40.00
160	52.60	39.50	45.25	51.60	45.00

TOLERANCES	
X. = ±0.30mm	X.° = ±5.0°
.X = ±0.25mm	.X° = ±3.0°
.XX = ±0.15mm	.XX° = ±2.0°
.XXX = ±0.10mm	.XXX° = ±1.0°

AB	1	11.11.23	33217
NAME	ISS.	DATE	CN/CO
APPROVED: R.PORTLOCK			
CHECKED: F.CHRISPINE			
DRAWN: A.BOXALL			
ASSEMBLY DRG:			

- NOTES:
- SEE COMPONENT SPECIFICATION C057XX (LATEST ISSUE) FOR COMPLETE CONNECTOR SPECIFICATIONS.
 - SEE SHEET 4 FOR TAPE & REEL DETAILS
 - PART SHOWN IS F10-20010045R, SEE ORDER CODE FOR POSSIBLE CONFIGURATIONS.

HARWIN

www.harwin.com

TOLERANCES
 X. = ±1mm
 X.X = ±0.50mm
 X.XX = ±0.20mm
 X.XXX = ±0.01mm
 ANGLES = ±5°
 UNLESS STATED

THIS DRAWING AND ANY INFORMATION OR DESCRIPTIVE MATTER SET OUT HEREON ARE CONFIDENTIAL AND COPYRIGHT PROPERTY OF THE HARWIN GROUP AND MUST NOT BE DISCLOSED, LOANED, COPIED OR USED FOR MANUFACTURING, TENDERING OR FOR ANY OTHER PURPOSE WITHOUT THEIR WRITTEN PERMISSION.

MATERIAL:
 SEE NOTE 1

TITLE:
 0.5mm PITCH MALE FLECTO CONNECTOR SIGNAL CONTACTS

DRAWING NUMBER:
F10-200XXX45R

SHT
 3 OF 4

Customer Information Sheet

IF IN DOUBT - ASK

©

NOT TO SCALE

THIRD ANGLE PROJECTION

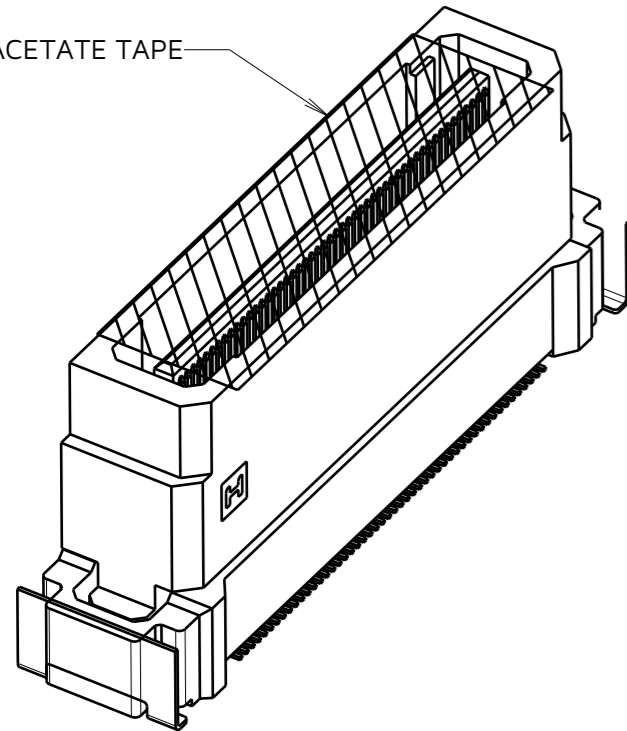
ALL DIMENSIONS IN mm

ORDER CODE:

F10-200XXX45R

No. OF CONTACTS: _____
030, 040, 060, 080, 100, 120, 140, 160

ACETATE TAPE



ORIENTATION FEATURE

ACETATE TAPE (DIM 'D')

$1.70^{+0.15}_{-0.05}$ TYP

$1.50^{+0.10}_0$ TYP

REEL DIRECTION



ELONGATED SPROCKET HOLES

$\phi 1.50^{+0.10}_0$ TYP

4.00 TYP

20.00 TYP

2.00 ± 0.15 TYP

1.75

0.50 ± 0.05

DIM 'A' ± 0.15

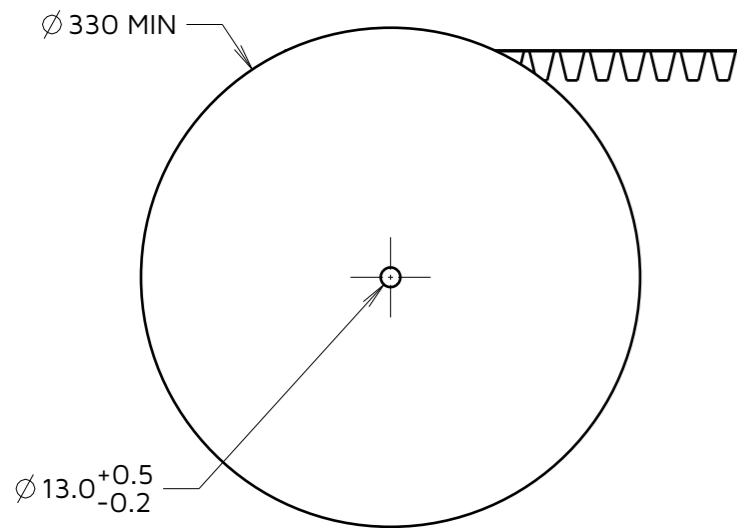
DIM 'B'

DIM 'C' ± 0.30

ELONGATED SPROCKET HOLES

CONTACT No.1 + HARWIN LOGO ON THIS SIDE

SECTION X-X



ACETATE TAPE (7.40)

16.70

SECTION Y-Y

No. OF CONTACTS	DIM 'A'	DIM 'B'	DIM 'C'	(DIM 'D')
30	20.20	40.40	44.00	8.0
40				
60				
80	26.20	52.40	56.00	25.5
100	34.20	68.40	72.00	
120				
140	40.20	85.40	88.00	
160				

AB	1	11.11.23	33217
NAME	ISS.	DATE	CN/CO
APPROVED: R.PORTLOCK			
CHECKED: F.CHRISPINE			
DRAWN: A.BOXALL			
ASSEMBLY DRG:			

- NOTES:
- PRODUCT TAPE AND REELED IN ACCORDANCE WITH EIA-481 STANDARD.
 - NUMBER OF COMPONENTS PER REEL: 150PCS
 - CARRIER TAPE MATERIAL: BLACK POLYSTYRENE.
 - TAPE POCKETS MAY DIFFER VISUALLY FROM DRAWING.

HARWIN

www.harwin.com

TOLERANCES
X. = ± 1 mm
X.X = ± 0.50 mm
X.XX = ± 0.20 mm
X.XXX = ± 0.01 mm
ANGLES = $\pm 5^\circ$
UNLESS STATED

THIS DRAWING AND ANY INFORMATION OR DESCRIPTIVE MATTER SET OUT HEREON ARE CONFIDENTIAL AND COPYRIGHT PROPERTY OF THE HARWIN GROUP AND MUST NOT BE DISCLOSED, LOANED, COPIED OR USED FOR MANUFACTURING, TENDERING OR FOR ANY OTHER PURPOSE WITHOUT THEIR WRITTEN PERMISSION.

MATERIAL:

SEE NOTE 6

TITLE: 0.5mm PITCH MALE FLECTO CONNECTOR SIGNAL CONTACTS

DRAWING NUMBER: F10-200XXX45R

SHT 4 OF 4