

## Summary

[Request a quote](#)

[Catalog](#)

Number of contacts Low Voltage	8
Wire Size/AWG	30 - 22
Gender	Standard
Plug	Plug - Straight
Locking system	Push-pull
Jacket cable outside diameter [mm]	5.60 - 6.00 mm
Size	1K
Matching parts	<a href="#">EGG.1K.308.CLL</a>
Series	K - Outdoor keyed

## Technical details

[https://www.lemo.com/int\\_en/solutions/originals/k-outdoor-keyed/fgg-1k-308-clac60z.html](https://www.lemo.com/int_en/solutions/originals/k-outdoor-keyed/fgg-1k-308-clac60z.html)

LEMO products and services are provided "as is". LEMO makes no warranties or representations with regard to LEMO product & services or use of them, express, implied or statutory, including for accuracy, completeness, or security. The user is fully responsible for his products and applications using LEMO components.

## Electrical Configuration

Contact Termination Low voltage	Solder
R (max)	6.1 mOhm
Insert configuration value	1K.308 - 8 Low Voltage
Insulator	L: PEEK (UL 94 / V-0/1.5)
Rated current	5 Amps
Vtest (contact-contact)	950 V (AC), 1340 V (DC)
Vtest (contact-shell)	1150 V (AC), 1630 V (DC)
Contact Type	Solder
Max. Conductor	0.34 mm <sup>2</sup> (AWG 22)
Max. Stranded Conductor	0.34 mm <sup>2</sup> (AWG 22)
Bucket Dia.	0.8 mm (0.031in)
Contact Dia.	0.7 mm (0.028in)
Number of contacts Low Voltage	8
Wire Size/AWG	30 - 22
Gender	Standard

## Form & Material

Shell style / Model id	FG - Straight plug, cable collet and nut for fitting a bend relief
Plug	Straight
Housing material	Brass (chrome plated [SAE AMS 2460]) shell, collet nut and latch sleeve, nickel plated [SAE AMS QQ N 290] brass mid pieces
Locking system	Push-pull
Keying	1 key (alpha=0, plug: male contacts, receptacle: female contacts)
Variant	Nut for fitting a bend relief
Weight	22.9 g

[https://www.lemo.com/int\\_en/solutions/originals/k-outdoor-keyed/fgg-1k-308-clac60z.html](https://www.lemo.com/int_en/solutions/originals/k-outdoor-keyed/fgg-1k-308-clac60z.html)

LEMO products and services are provided "as is". LEMO makes no warranties or representations with regard to LEMO product & services or use of them, express, implied or statutory, including for accuracy, completeness, or security. The user is fully responsible for his products and applications using LEMO components.

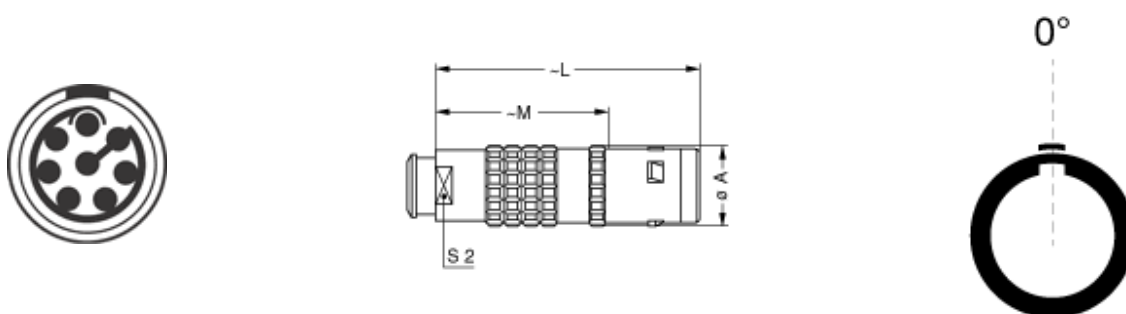
## Environment

Technical domain	Audio Video, Energy and Industrial, Medical, Test and Measurement
Environmental sealing (IP rating)	IP68
Endurance	5000 mating cycles
Temperature range	-55°C / +200°C
Climatical Category	50/175/21
Humidity (max)	<=95% [at 60 deg C /140 F]
Shielding (min)	95 dB (10 MHz)
Shielding (min)	80 dB (1 GHz)
Shock Resistance	100 g [ 6 ms]
Vibration	15 g [10 Hz - 2000 Hz]
Salt Spray Corrosion	>1000 hr

## Cable fixation

Cable termination protection	For cable bend relief
Fixation type	Cable collet
Jacket cable outside diameter [mm]	5.60 - 6.00 mm

## Drawings



## Dimensions

	<b>M</b>	<b>A</b>	<b>S2</b>	<b>L</b>
mm.	28	13	9	42
in.	1.1	0.51	0.35	1.65

[https://www.lemo.com/int\\_en/solutions/originals/k-outdoor-keyed/fgg-1k-308-clac60z.html](https://www.lemo.com/int_en/solutions/originals/k-outdoor-keyed/fgg-1k-308-clac60z.html)

LEMO products and services are provided "as is". LEMO makes no warranties or representations with regard to LEMO product & services or use of them, express, implied or statutory, including for accuracy, completeness, or security. The user is fully responsible for his products and applications using LEMO components.

# Recommended By Lemo




## Accessories

Compatible cap [BFG.1K.100.NAS](#)

## Tools

Spanner wrench [DCD.1E.ZZZ.PA090](#)

# Cables

Cable PartNumber	Material	Colour	Cable image
CMN.08.T22.059QGC	TPR	Grey	
CMN.08.T22.059QGZE	TPR (medical)	Grey	
16080	PVC	Grey	
180260	PVC	Black	
42265	PVC	Yellow	
80140	PVC	Grey	

[https://www.lemo.com/int\\_en/solutions/originals/k-outdoor-keyed/fgg-1k-308-clac60z.html](https://www.lemo.com/int_en/solutions/originals/k-outdoor-keyed/fgg-1k-308-clac60z.html)

LEMO products and services are provided "as is". LEMO makes no warranties or representations with regard to LEMO product & services or use of them, express, implied or statutory, including for accuracy, completeness, or security. The user is fully responsible for his products and applications using LEMO components.