

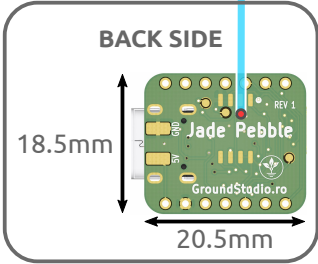
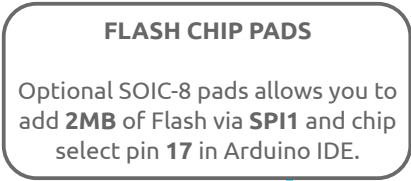
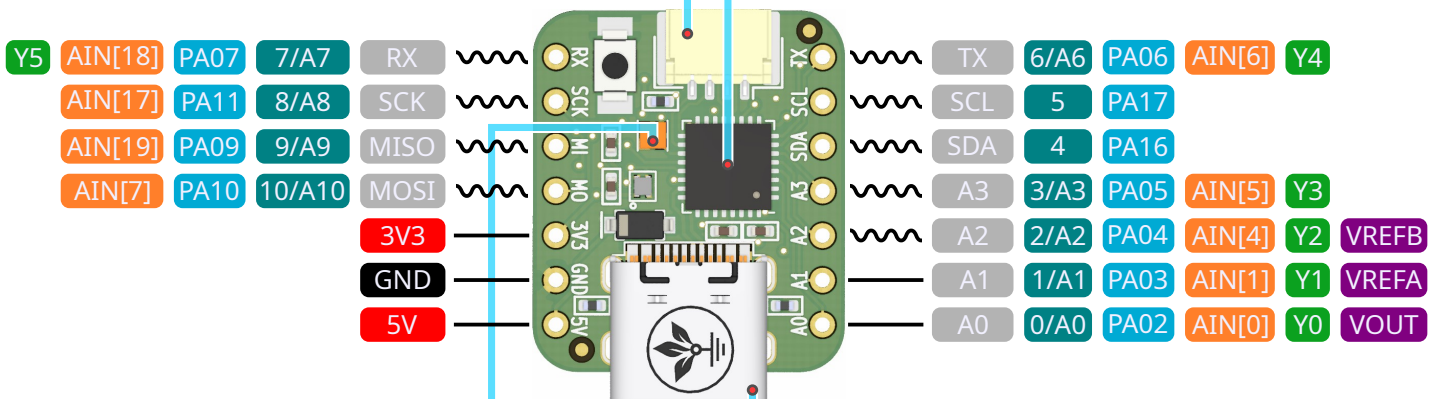
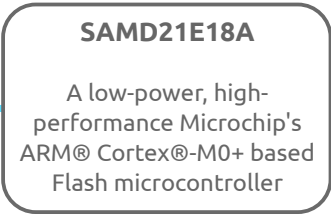
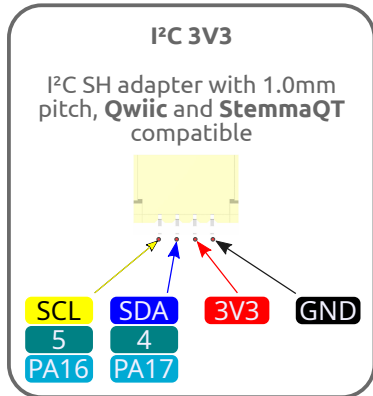
GroundStudio Jade Pebble

Very small **SAMD21E18A** based development board with **48 MHz 32 bit processor**, **256kBytes of Programmable Flash** program memory, **32kBytes Internal SRAM**, **6 Capacitive Touch sensing (PTC)**, **9 PWM Channels**, **11 Digital Pins**, **9 channel 12 bit ADC Pins** and built in **RGB NeoPixel LED**.



COLOR DIAGRAM

- CircuitPython Name
- Arduino Name
- uController Pin
- ADC Channel
- SCL
- SDA
- Touch
- DAC / VREF
- Ground
- Power
- ⤴ PWM Enabled Pin



Board: "GroundStudio Jade Pebble" KASVHX_GS REV0.1
 Credits: "Adafruit QT Py" by Adafruit
 Copyright: ARDUSHOP SRL 2022
 License: CC BY-SA 4.0 Attribution-ShareAlike 4.0 International

Pinout REV: 1