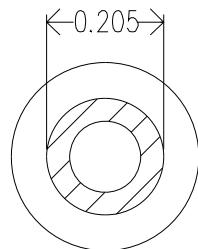
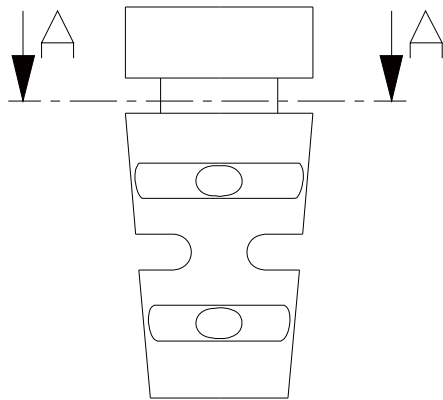
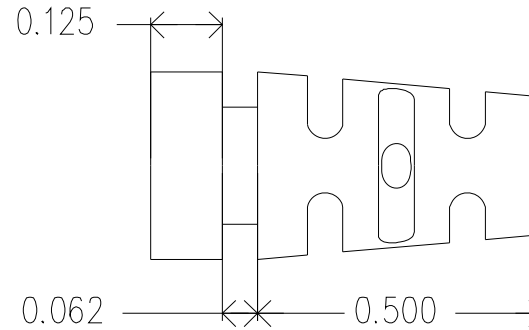
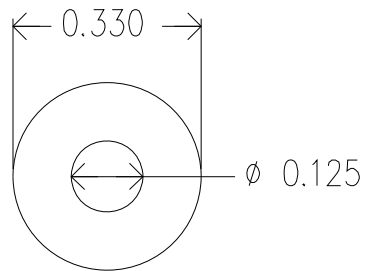
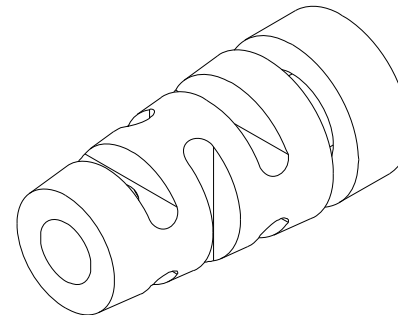


REVISIONS			DATE	APPROVED
ZONE	REV.	DESCRIPTION		



A-A



Mold Material: ISC P/N: 5000214, PVC, M1472, BLACK, RoHS

Dimensions are subject to change.
PROPRIETARY AND CONFIDENTIAL
THE INFORMATION CONTAINED IN THIS DRAWING IS THE SOLE PROPERTY OF ISC ENGINEERING. ANY REPRODUCTION IN PART OR AS A WHOLE WITHOUT THE WRITTEN PERMISSION OF ISC ENGINEERING IS PROHIBITED.

		DIMENSIONS ARE IN INCHES	NAME	DATE	ISC Engineering 4351 Schoefer Ave, Chino, CA 91710 Ph: 909-596-3315 Fax: 909-596-3335 www.iscengineering.com www.overmoldtooling.com	
		TOLERANCES:	DRAWN	R FIERRO		08/18/03
		FRACTIONAL ±	CHECKED			
		ANGULAR: MACH ± BEND ±	ENG APPR.			
		TWO PLACE DECIMAL ±	MFG APPR.			
		THREE PLACE DECIMAL ±	Q.A.			
		MATERIAL	COMMENTS:		1461080-.125-.062-.205-.330-0	
		FINISH				
NEXT ASSY	USED ON				SIZE A DWG. NO. 1467091 REV.	
APPLICATION		DO NOT SCALE DRAWING			SCALE: 5:1 WEIGHT: SHEET 1 OF 1	

ISC ENGINEERING
CONTROLLED COPY
Rich Fierro 08/18/2016