

DOUBLE DECK TERMINAL BLOCKS

PI-SPRING (PUSH-IN & SPRING) TECHNOLOGY 4 mm²
1 & 2 FEED-THROUGH, GROUND

Combine high performance with compact dimensions:

- 800 V IEC 300 V UL
- 1 jumper channel on each deck
- Large input and output marker zone also on top of the higher deck



EASY TO INSTALL

Clear identification

- High visibility thanks to horizontal top marker
- Flat "SNK" marking surface
- Compatible with rotative marker

Easy wiring

- Pi-Spring technology offer 2 technologies in 1 connection (Push-In & Spring)
- Angled front connection for easier access
- Screwdriver is locked during wiring process



INCREASED PRODUCTIVITY

Reduced wiring and assembly costs

- Push-in connection save up to 50% installation time compared to screw technology
- Mount 1 block and get up to 2 circuits and 4 connections at a time

Space saving

- Double deck blocks allow to fit 2 circuits in only 6 mm spacing



FOR MANY NEEDS

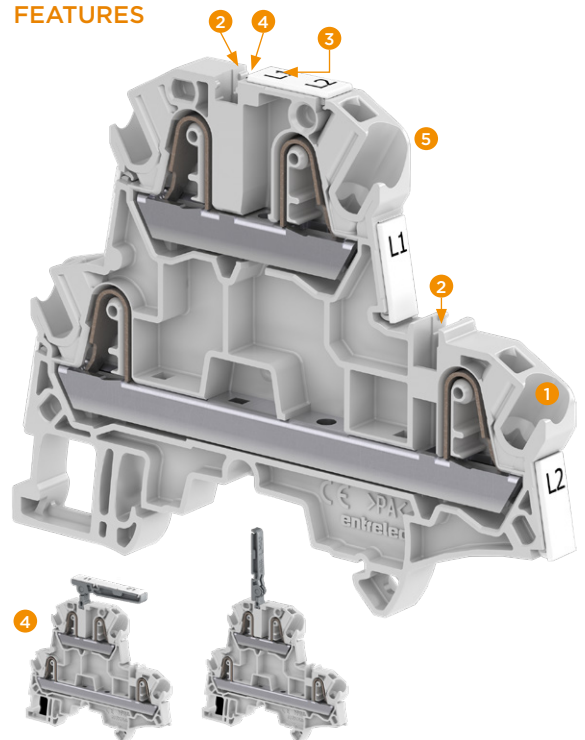
World-class certifications

- Full standard package: IEC / UL / EAC / CSA

Safety

- Full IP20

FEATURES



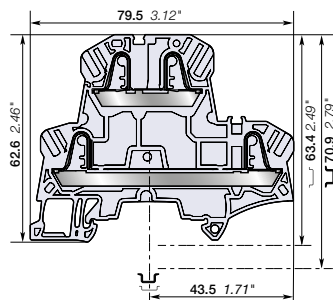
- 1 4 mm² with insulated ferrule
- 2 1 jumper channels per deck
- 3 1 top horizontal marker for high visibility
- 4 Compatible with rotative markers to identify both decks if needed
- 5 Angled front connections for easier access

ZK4-D2 PI-Spring terminal blocks

Double deck with 2 feed-through circuits - 6 mm 0.236 in spacing



ZK4-D2



6 mm 0.236 in spacing

Description

Combine high performance with compact dimensions:

- 800 V IEC 300 V UL,
- 2 jumper channels, 1 on the top and 1 on the bottom and a large input and output marker zone also on top of the higher deck.

Ordering details

Description	Color	Type	Part Number	Pkg qty	Weight (1 pce) g
Feed-through 2 feed-through circuits	Grey	ZK4-D2	1SNK706210R0000	50	16.40
	Blue	ZK4-D2-BL	1SNK706220R0000	50	16.40

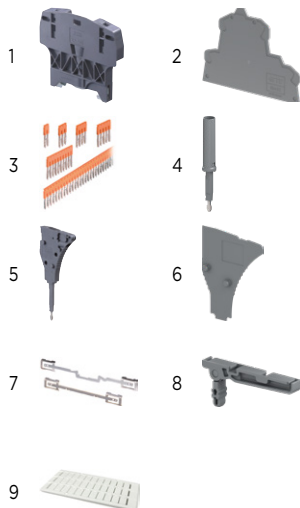
Main technical data

Connecting capacity	IEC	UL - CSA	Rail	TH 35-7.5, TH 35-15
1 conductor per clamp	Rigid: Solid/Stranded	0.5 ... 6 mm ²	26 ... 10 AWG	12.5 mm
	Flexible without ferrule	0.5 ... 4 mm ²	26 ... 12 AWG	0.492 in
	Flexible with non insulated ferrule	0.5 ... 4 mm ²	26 ... 12 AWG	
	Flexible with insulated ferrule	0.5 ... 4 mm ²	26 ... 12 AWG	
2 conductors per clamp	Flexible with twin ferrule	0.5 ... 1 mm ²	26 ... 18 AWG	
Rated current / Rated cross section		29 A / 4 mm ²	29 A / 10 AWG	
Max. current/Max. cross section		36 A / 6 mm ²		
Rated short-time withstand current (1s)		480 A		
Short Circuit Current Rating (with specific conditions)			100 kA	
Rated voltage		800 V	300 V	
Impulse withstand voltage		8000 V		
Protection		IP20	NEMA 1	
Increased safety Ex e		550 V 25 A IEC/EN 60079-7 - IM2 II 2 GD Ex eb I/IIIC		

Mounting instructions

Wire stripping length	Tool (for flexible conductor without ferrule)
12.5 mm 0.492 in	Flat screwdriver Ø 3.5 mm Ø 0.138 in

The connecting capacity data for one Rigid: Solid/Stranded, or one Flexible conductor (when applicable) is a mandatory information required by IEC, UL and CSA standards (Copper conductors). All other data are provided as supplementary information only. For more details, please consult our CB, UL or CSA certificates and technical datasheet available on <http://www.TE.com>



Accessories

Description	Color	Type	Part Number	Pkg qty	Weight (1 pce) g	
1 End stops 10 mm 0.394 in	Dark grey	BAZH1	1SNK900102R0000	20	24.00	
2 End sections 15 mm 0.059 in	Dark grey	EK4-D2	1SNK706960R0000	20	3.79	
3 Jumper bars	Orange	2 poles 41 A (IEC)	JB6-2	1SNK906302R0000	50	1.30
		3 poles 41 A (IEC)	JB6-3	1SNK906303R0000	50	2.10
		4 poles 41 A (IEC)	JB6-4	1SNK906304R0000	50	2.90
		5 poles 41 A (IEC)	JB6-5	1SNK906305R0000	50	3.60
		10 poles 41 A (IEC)	JB6-10	1SNK906310R0000	20	7.40
		50 poles 41 A (IEC)	JB6-50	1SNK906350R0000	10	38.10
4 Test adapters	Dark grey	For test plugs DIA 2 mm 0.079 in	TP2	1SNK900203R0000	20	1.70
		For test plugs DIA 4 mm 0.157 in	TP4	1SNK900205R0000	20	2.40
5 Test connectors	Dark grey	5.2 mm 0.205 in spacing	TC5	1SNK900200R0000	10	5.20
		End module, 5.2 mm 0.205 in	TC5-R1	1SNK900201R0000	10	5.20
6 Spacers 0.8mm 0.031 in	Dark grey	ES-TC6	1SNK900105R0000	10	0.80	
7 Shield connectors		SHB	1SNK900602R0000	20	4.90	
8 Label holders	Dark grey	LH-J	1SNK900606R0000	100	0.73	
9 Terminal block markers		MC612	1SNK150000R0000	22	10.00	
	Universal wire markers holder	Grey	UMH	1SNK900611R0000	10	0.20

Complete list of accessories is indicated in the terminal block datasheet including end stops. Some accessories such as jumper bars may modify the terminal block's ratings: Complete information available in the accessories section of the catalog.

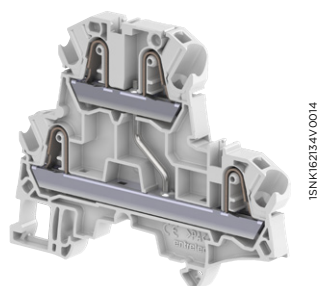


Ground PI-Spring terminal blocks

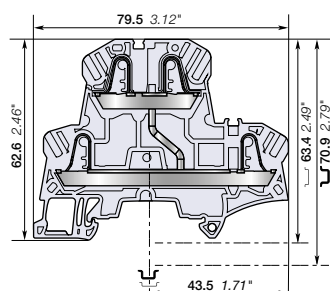
Description	Color	Type	Part Number	Pkg qty	Weight (1 pce) g
Ground Profile aligned with ZK4-D2 and ZK4-D1	Green-yellow	ZK4-D1-PE	1SNK706250R0000	20	21.75

ZK4-D1 PI-Spring terminal blocks

Double deck with 1 feed-through circuit - 6 mm 0.236 in spacing



ZK4-D1



6 mm 0.236 in spacing

Description

- Find the same functionalities as ZK4-D2 and ease one potential distribution on 4 independent connections

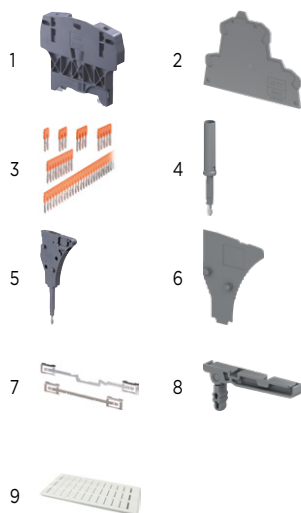
Ordering details

Description	Color	Type	Part Number	Pkg qty	Weight (1 pce) g
Feed-through 1 feed-through circuit	Grey	ZK4-D1	1SNK706211R0000	50	17.42

Main technical data

Connecting capacity	IEC	UL - CSA	Rail	TH 35-75, TH 35-15
1 conductor per clamp			Wire stripping length	12.5 mm 0.492 in
Rigid: Solid/Stranded	0.5 ... 6 mm ²	26 ... 10 AWG		
Flexible without ferrule	0.5 ... 4 mm ²			
Flexible with non insulated ferrule	0.5 ... 4 mm ²	26 ... 12 AWG		
Flexible with insulated ferrule	0.5 ... 4 mm ²	26 ... 12 AWG		
2 conductors per clamp			Tool (for flexible conductor without ferrule)	Flat screwdriver Ø 3.5 mm Ø 0.138 in
Flexible with twin ferrule	0.5 ... 1 mm ²	26 ... 18 AWG		
Rated current / Rated cross section	32 A / 4 mm ²	30 A / 10 AWG		
Max. current / Max. cross section	39 A / 6mm ²			
Rated short-time withstand current (1s)	480 A			
Short Circuit Current Rating (with specific conditions)		100 kA		
Rated voltage	800 V	300 V		
Impulse withstand voltage	8000 V			
Protection	IP20	NEMA 1		
Increased safety Ex e	550 V 26 A IEC/EN 60079-7 - IM2 II 2 GD Ex eb I/IIC/IIIC			

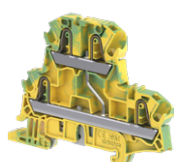
The connecting capacity data for one Rigid: Solid/Stranded, or one Flexible conductor (when applicable) is a mandatory information required by IEC, UL and CSA standards (Copper conductors). All other data are provided as supplementary information only. For more details, please consult our CB, UL or CSA certificates and technical datasheet available on <http://www.TE.com>



Accessories

Description	Color	Type	Part Number	Pkg qty	Weight (1 pce) g
1 End stops 10 mm 0.394 in	Dark grey	BAZH1	1SNK900102R0000	20	24.00
2 End sections 2 mm 0.059 in	Dark grey	EK4-D2	1SNK706960R0000	20	3.79
3 Jumper bars	Orange				
2 poles 41 A (IEC)		JB6-2	1SNK906302R0000	50	1.30
3 poles 41 A (IEC)		JB6-3	1SNK906303R0000	50	2.10
4 poles 41 A (IEC)		JB6-4	1SNK906304R0000	50	2.90
5 poles 41 A (IEC)		JB6-5	1SNK906305R0000	50	3.60
10 poles 41 A (IEC)		JB6-10	1SNK906310R0000	20	7.40
50 poles 41 A (IEC)		JB6-50	1SNK906350R0000	10	38.10
4 Test adapters	Dark grey				
For test plugs DIA 2 mm 0.079 in		TP2	1SNK900203R0000	20	1.70
For test plugs DIA 4 mm 0.157 in		TP4	1SNK900205R0000	20	2.40
5 Test connectors	Dark grey				
5.2 mm 0.205 in spacing		TC5	1SNK900200R0000	10	5.20
End module, 5.2 mm 0.205 in		TC5-R1	1SNK900201R0000	10	5.20
6 Spacers 0.8mm 0.031 in	Dark grey	ES-TC6	1SNK900105R0000	10	0.80
7 Shield connectors		SHB	1SNK900602R0000	20	4.90
8 Label holders	Dark grey	LH-J	1SNK900606R0000	100	0.73
9 Terminal block markers					
Blank card		MC612	1SNK150000R0000	22	10.00
Universal wire markers holder	Grey	UMH	1SNK900611R0000	10	0.20

Complete list of accessories is indicated in the terminal block datasheet including end stops. Some accessories such as jumper bars may modify the terminal block's ratings. Complete information available in the accessories section of the catalog.

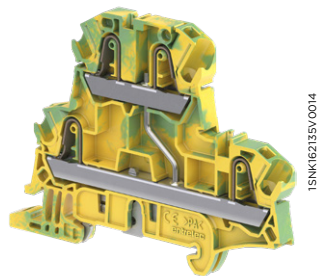


Ground PI-Spring terminal blocks

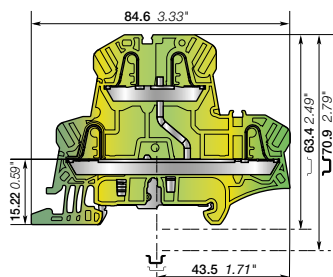
Description	Color	Type	Part Number	Pkg qty	Weight (1 pce) g
Ground Profile aligned with ZK4-D2 and ZK4-D1	Green-yellow	ZK4-D1-PE	1SNK706250R0000	20	21.75

ZK4-D1-PE PI-Spring terminal blocks

Double deck with 1 ground circuit - 6 mm 0.236 in spacing



ZK4-D1-PE



6 mm 0.236 in spacing

Description

- Improve the safety of your installation in the event of a short-circuit thanks to our screwless rail contact:
- Rail contact non operator dependent,
- Performances above the requirements of the IEC 60947-7-2 terminal block standard,
- Secured snap on or off the rail,
- Profile aligned with ZK4-D2 and ZK4-D1.

Ordering details

Description	Color	Type	Part Number	Pkg qty	Weight (1 pce) g
Ground 1 ground circuit	Green-yellow	ZK4-D1-PE	1SNK706250R0000	20	21.75

Main technical data

Connecting capacity		IEC	UL - CSA	Mounting instructions	
1 conductor per clamp	Rigid: Solid/Stranded	0.5 ... 6 mm ²	26 ... 10 AWG	Rail	TH 35-75, TH 35-15
	Flexible without ferrule	0.5 ... 4 mm ²	26 ... 12 AWG	Wire stripping length	12 mm 0.492 in
	Flexible with non insulated ferrule	0.5 ... 4 mm ²	26 ... 12 AWG	Tool (for flexible conductor without ferrule):	Flat screwdriver Ø 3.5 mm Ø 0.138 in
	Flexible with insulated ferrule	0.5 ... 4 mm ²	26 ... 12 AWG		
2 conductors per clamp	Flexible with twin ferrule	0.5 ... 1 mm ²	26 ... 18 AWG		
Rated cross section		4 mm ²	10 AWG		
Rated short-time withstand current (1s)		480 A	636 A		
Protection		IP20	NEMA 1		
Explosive atmosphere classification		IM2 II 2 GD Ex eb I/II/IIIC - Class I, Zone 1, AEx e II, Ex e II U			

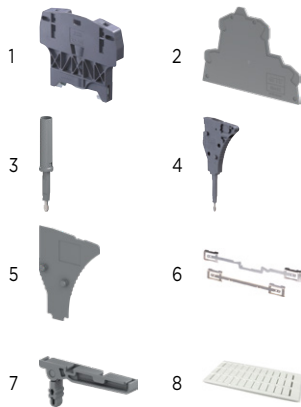
The connecting capacity data for one Rigid: Solid/Stranded, or one Flexible conductor (when applicable) is a mandatory information required by IEC, UL and CSA standards (Copper conductors). All other data are provided as supplementary information only. For more details, please consult our CB, UL or CSA certificates and technical datasheet available on <http://www.TE.com>



Accessories

Description	Color	Type	Part Number	Pkg qty	Weight (1 pce) g
1 End stops 10 mm 0.394 in	Dark grey	BAZH1	1SNK900102R0000	20	24.00
2 End sections 2 mm 0.079 in	Dark grey	EK4-D2	1SNK706960R0000	20	3.79
3 Test adapters For test plugs DIA 2 mm 0.079 in For test plugs DIA 4 mm 0.157 in	Dark grey	TP2	1SNK900203R0000	20	1.70
	Dark grey	TP4	1SNK900205R0000	20	2.40
4 Test connectors 5.2 mm 0.205 in spacing End module, 5.2 mm 0.205 in	Dark grey	TC5	1SNK900200R0000	10	5.20
	Dark grey	TC5-R1	1SNK900201R0000	10	5.20
5 Spacers 0.8mm 0.031 in	Dark grey	ES-TC6	1SNK900105R0000	10	0.80
6 Shield connectors	Dark grey	SHB	1SNK900602R0000	20	4.90
7 Label holders	Dark grey	LH-J	1SNK900606R0000	100	0.73
		MC612	1SNK150000R0000	22	10.00
8 Terminal block markers Blank card Universal wire markers holder		MC612PA	1SNK159999R0000	20	11.00
	Grey	UMH	1SNK900611R0000	10	0.20

Complete list of accessories is indicated in the terminal block datasheet including end stops. Some accessories such as jumper bars may modify the terminal block's ratings: Complete information available in the accessories section of the catalog.



te.com

© 2022 TE Connectivity Ltd. family of companies. All Rights Reserved.

ENTRELEC, TE Connectivity, TE connectivity (logo) and Every Connection Counts are trademarks. All other logos, products and/or company names referred to herein might be trademarks of their respective owners.

While TE has made every reasonable effort to ensure the accuracy of the information in this brochure, TE does not guarantee that it is error-free, nor does TE make any other representation, warranty or guarantee that the information is accurate, correct, reliable or current. TE reserves the right to make any changes to the information contained herein without prior notice. TE Connectivity assumes only those obligations set forth in the terms and conditions for this product and shall in no event be liable for any incidental, indirect, or consequential damages arising out of the sale, resale, use, or misapplication of the product. TE expressly disclaims any implied warranties with respect to the information contained herein, including, but not limited to, implied warranties of merchantability or fitness for a particular purpose. Dimensions, specifications and/or information contained herein are for reference purposes only and are subject to change without notice. Consult TE for the latest dimensions, specifications and/or information. Users of TE Connectivity products must make their own assessment as to whether the respective product is suitable for the respective desired application.

BROCHURE

TE Connectivity
3, rue Jean Perrin
69687 Chassieu cedex
France
Tel: +33 481923100