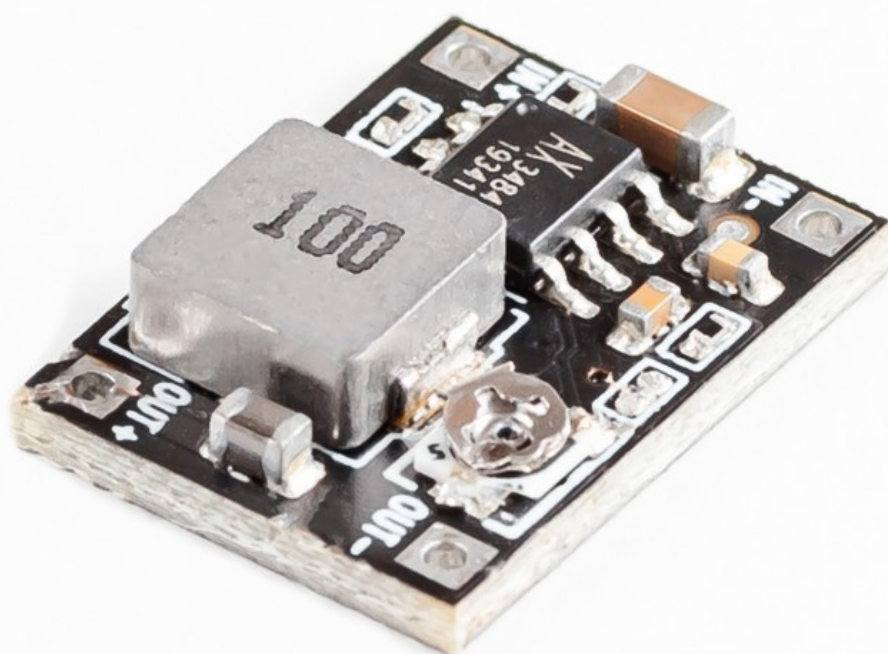


Groundstudio Mini360 module



FABRICAT
ÎN ROMÂNIA

Table of Contents

Module Circuit Schematic.....	3
Open Source.....	4
License.....	4
Overview.....	4
Technical specifications.....	4
Legal disclaimer notice.....	5
Developer info.....	5
Datasheet Revision History.....	5

Module Circuit Schematic

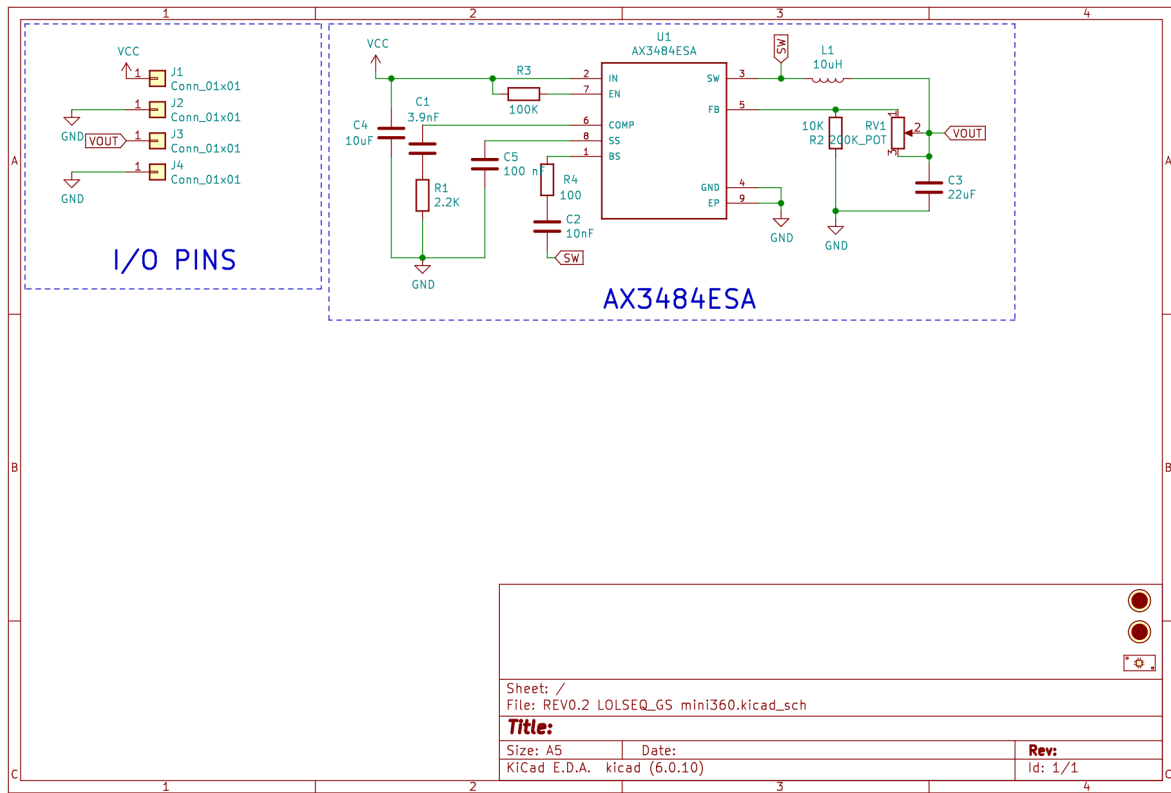


Figure 2: GroundStudio Mini360 module schematic circuit [Revision 0.0.2]

Open Source

This is an Open Source project, you can find all the technical documents online:

https://github.com/GroundStudio/GroundStudio_Mini360_module

License

All documentation for GroundStudio Marble Pico is released under the [Attribution-ShareAlike 4.0 International \(CC BY-SA 4.0\)](#) license. You are welcome to use this for commercial purposes.

Please consider contributing back to this project or others to help the open-source hardware community continue to thrive and grow!

Overview

This product represents a step-down voltage source that can be used in various projects that use a small space where you need to transform a voltage between 4.75V-23V into one of a lower level in the range of 0.925V to 20V with a consumption of current up to 3A.

Super compact and capable, this Buck DC-DC converter can lower the voltage with an efficiency of up to 95%, having an adjustable output voltage, which can be adjusted using the onboard potentiometer. The output voltage will always be lower than the input voltage.

NOTE - The product needs adequate cooling depending on the level of the current. If the cooling is not properly ensured, it will fail.

For cooling, you need to attach a radiator (not included) and ensure a proper air flow: the case must be ventilated or use a fan (not included).

Technical specifications

Vin: from **4.75V to 23V**;

Vout: from **0.925V to 20V**;

Maximum current: **3A**;

Frequency: **350kHz**;

PCB dimensions: **17.7mm x 12.7mm**

Legal disclaimer notice

This development board is considered a subassembly in accordance with FCC CFR Title 47 §15.101(e):

[https://www.ecfr.gov/current/title-47/chapter-I/subchapter-A/part-15/subpart-B/section-15.101#p-15.101\(e\)](https://www.ecfr.gov/current/title-47/chapter-I/subchapter-A/part-15/subpart-B/section-15.101#p-15.101(e))

The device does not have a standalone functionality and does not include an enclosure or power supply.

The device is mainly intended for development and prototyping but it can be integrated into a product. In this case it is the responsibility of the developer/manufacturer to obtain all the necessary certifications.

GroundStudio is a registered trademark of ARDUSHOP SRL:

<https://www.tmdn.org/tmview/#/tmview/detail/EM500000018364087>

Developer info

ARDUSHOP SRL

Addr: Str. Aleea Unirii, Nr. 8, Ap. 7, Loc. Selimbar, Jud. Sibiu, ROMANIA, 557260

e-mail: office@ardushop.ro

Datasheet Revision History

[Revision 1] - Initial version release