

# 175mm Plastic Backward Centrifugal Fan

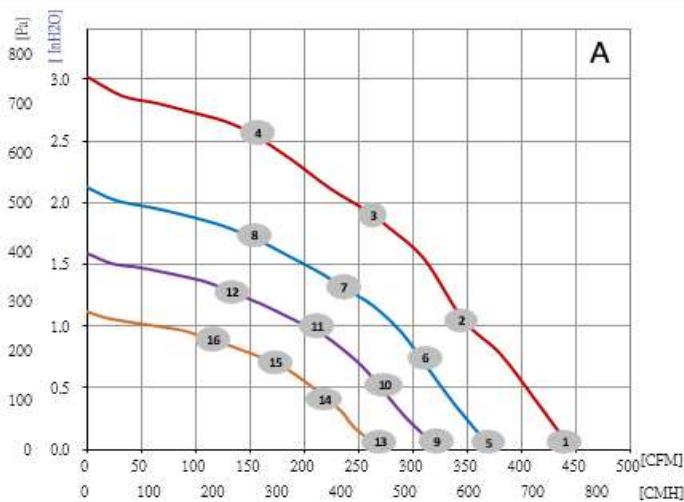
## Specification:

- Material: Impeller: Plastic  
Rotor: Zinc Plating Steel  
Electronics housing: Die-cast aluminium
- Number of blades: 7
- Direction of rotation: Clockwise viewed toward rotor
- Insulation class: "B"
- Installation position: Any
- Degree of protection: IP54
- Condensation drainage holes: None
- Mode: Continuous operation (S1)
- Mounting: Maintenance-free ball bearings
- Technical features: Controller input PWM or PWM/0-10V
- Cable exit: Variable
- Protection class: I (with customer connection of protective earth)
- Conformity with standards: EN 60335-1
- Weight: 1.3KG



## Performance:

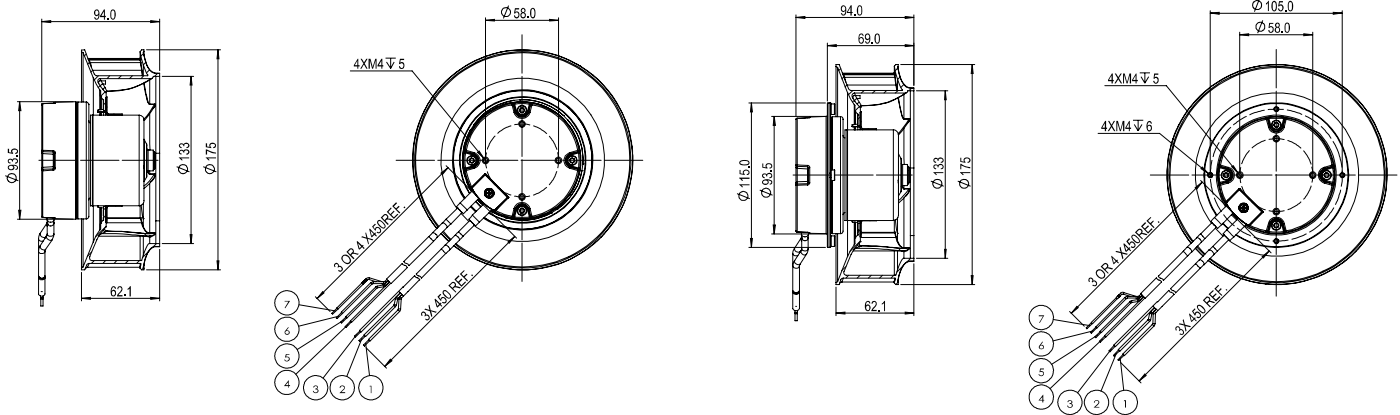
Nominal data	Platform	Curve	Nominal voltage range	Frequency	Speed*	Max input power*	Max input current*	Operating ambient temp	Life time	PWM	PWM/0-10V
Type	Motor		VAC	Hz	rpm	W	A	°C	Hr		
ECO175CB126072210	OD72	A	120	50 / 60	4430	130	1.79	-20 to +60	40,000		●
ECO175CB126072212											●



	n (rpm)	P1 (W)	I (A)	η (%)	P (Pa)	P (inH <sub>2</sub> O)	Q (CMH)	Q (CFM)
①	4500	123	1.64	—	0	0	756	445
②	4340	138	1.80	30.8	260	1.04	589	347
③	4430	137	1.79	42.4	482	1.93	437	257
④	4500	137	1.77	33.5	634	2.54	263	155
⑤	3800	76	1.08	—	0	0	633	373
⑥	3800	92	1.28	27.8	175	0.70	526	310
⑦	3800	88	1.23	41.0	326	1.31	401	236
⑧	3800	86	1.20	36.2	425	1.71	265	156
⑨	3300	53	0.78	—	0	0	552	325
⑩	3300	62	0.9	26.0	127	0.51	459	270
⑪	3300	61	0.88	39.2	240	0.96	360	212
⑫	3300	59	0.86	34.7	315	1.26	235	138
⑬	2770	35	0.53	—	0	0	462	272
⑭	2770	41	0.62	27.7	113	0.45	366	216
⑮	2770	39	0.6	36.0	172	0.69	296	174
⑯	2770	38	0.58	31.1	221	0.89	194	115

# 175mm Plastic Backward Centrifugal Fan

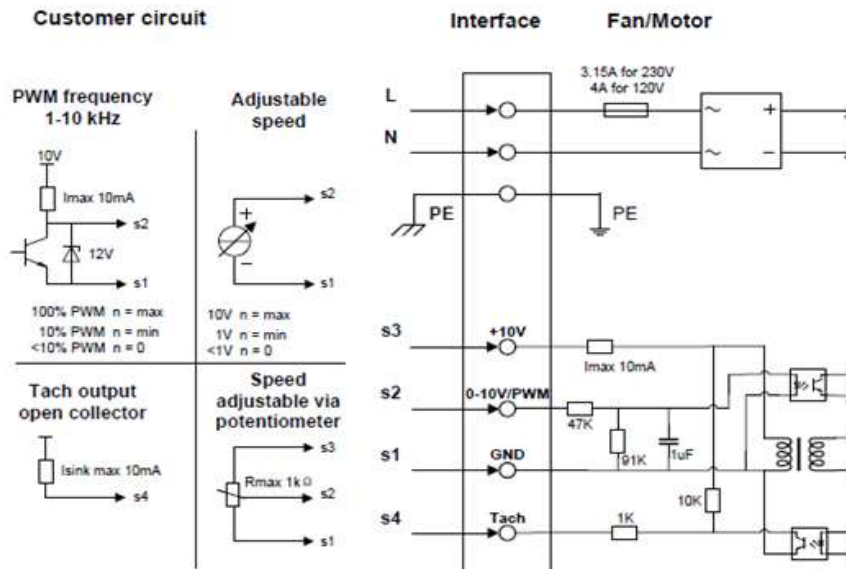
## Drawing:



Back installation

Back & Flange installation

## Diagram:



NO.	DESIGNATION	COLOR	ASSIGNMENT
1	L	BROWN	POWER SUPPLY
2	N	BLUE	NEUTRAL
3	PE	GREEN/YELLOW	PROTECTIVE EARTH
4	GND	BLACK	GND CONNECTION FOR CONTROL INTERFACE, SELV
5	PWM/0-10V	YELLOW	CONTROL INPUT PWM/0-10V, SELV
6	TACHO	WHITE	TACHO OUT, SELV
7	+10V	RED	VOLTAGE OUTPUT 10 VDC, SELV