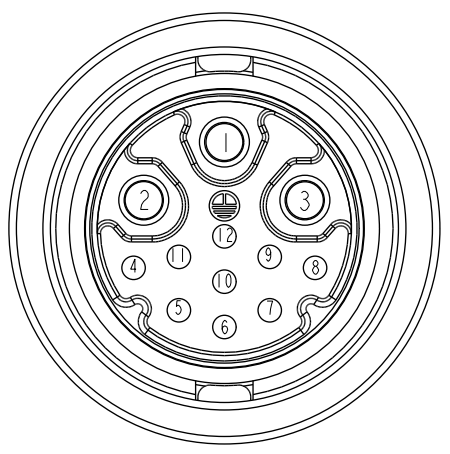
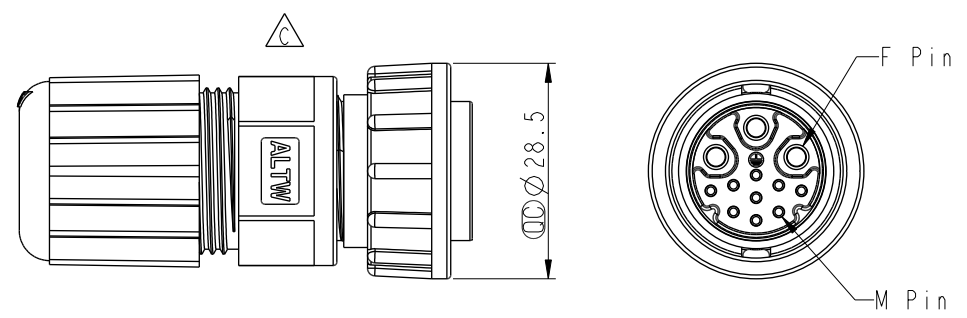
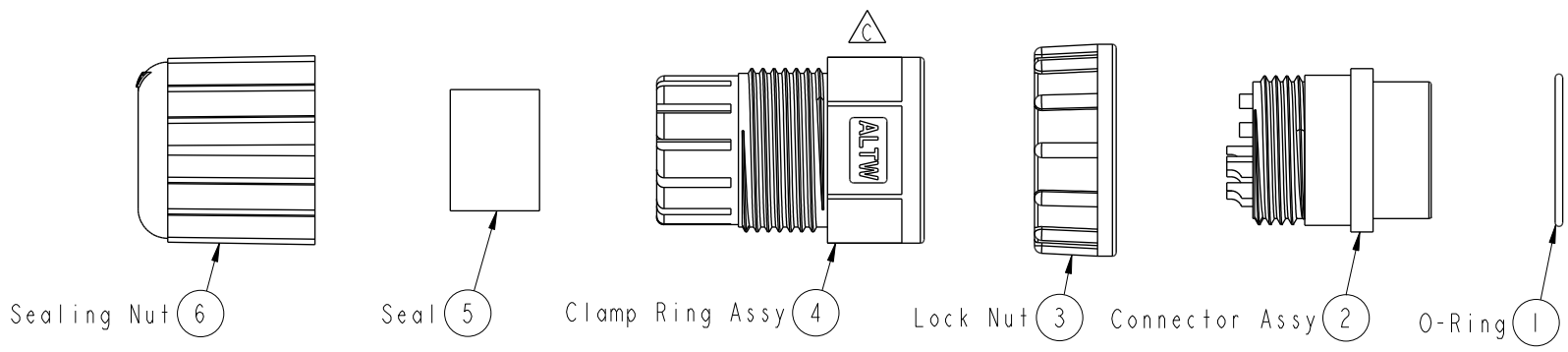


THIS DOCUMENT IS SUBJECT TO CHANGE WITHOUT NOTICE. IT IS CONFIDENTIAL AND A PROPERTY OF Amphenol LTW. DISCLOSURE TO THIRD PARTY HAS TO BE AUTHORIZED BY Amphenol LTW.

REV.	ECN NO.	DATE	SIGN	DESCRIPTION
C	LEN15B0040	2015/10/27	Ruru	Change Logo
D	LEN1680288	2016/08/08	Mafei	Updated The Note O-Ring Color
E	C231272	2023/10/03	Vicky	\triangle E X2



- Note:
- * \varnothing Important Dimension To Check.
 - * Waterproof Rate: IP67
 - * Connector: Nylon+GF, Black
 - * Pin: Copper Alloy, Gold Plated
 - \triangle * O-Ring: EPDM, Black
 - * Lock Nut: Nylon+GF, Black
 - * Clamp Ring: Nylon, Black
 - * Seal: EPDM, Black
 - * Sealing Nut: Nylon, Black
 - \triangle * Cable OD Max : \varnothing 10.0- \varnothing 12.4mm
 - \triangle * One set unassembled in one pe bag

UNIT: mm			TITLE 0 CERES, D-20A+5A, 12P, CABLE W/O SR F, F PWR+M SIG, FI SOLDER, 2LOCK \triangle E
TOLERANCE .X \pm 0.25 .XX \pm 0.1 .XXX \pm 0.05 ANGLES \pm 1°	SCALE 1:1	SIZE A4	SHEET 1 OF 1
REV. E	WC-REV. B.4	\varnothing Inspection item	

Amphenol LTW
安費諾亮泰企業股份有限公司

ITEM NO DCD-12BFDA-LL7001	DRAWN BY Mafei	DATE 2016-08-08
DWG NO DCD-12BFDA-LL7001	CHECKED BY Youdan	DATE 2016-08-08
CUSTOMER ALTM	APPROVED BY Jerry	DATE 2016-08-08