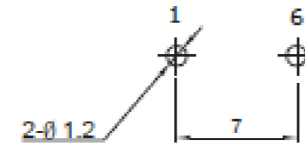
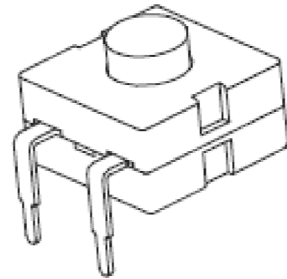
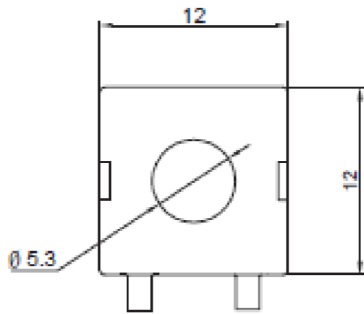
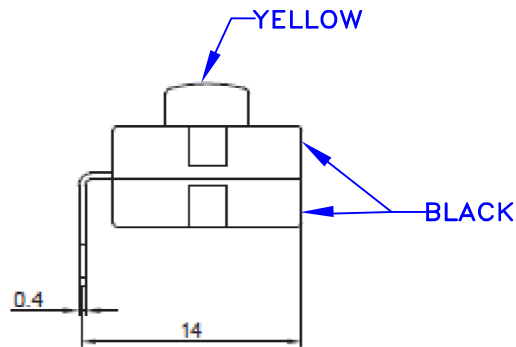
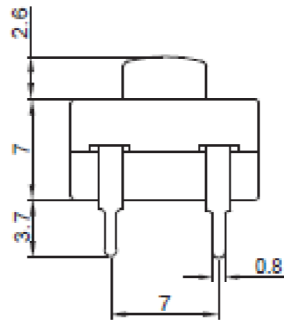


REV	EN	DESCRIPTION	ENG	APPR	DATE
A	-	INITIAL RELEASE	IS	NH	4-06-23



P.C.B. LAYOUT

JUDCO INVENTORY NO. 50-0118-00
 SWITCH TYPE: PUSH BUTTON, SPST, ON-OFF
 ELECTRICAL RATING: DC30V 1A



CUSTOMER NAME:

CUSTOMER PN:

APPROVED BY: _____

DATE: _____

DIMENSIONS IN (MM)
 DIMENSIONS ARE REFERENCE

ENG'G: IS 04-06-23
 DRAWN: NH 04-06-23
 CHECKED: KJ 04-06-23



DESCRIPTION
 J-977 MINI FLAT PACK
 W/BENT TERMINALS

DWG. NO. 1415-1830

This document embodies a product, component, and / or design proprietary to JUDCO MANUFACTURING INC., and is protected either as a trade secret, by U.S. Patent, or by copyright. It may not be used in any way without written consent of JUDCO MANUFACTURING INC.