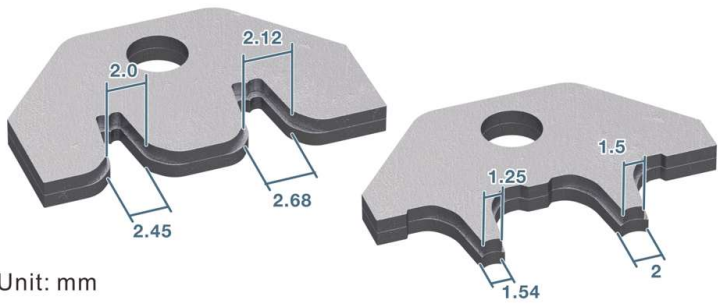


APPROVED: _____

DATE: _____ TITLE: _____

Rev	AWO #	Description	Date	Appr
-		RELEASED	11/23/22	
A		UPDATE DRAWING	11/16/23	JJ/RC



Unit: mm

SPECIFICATIONS:

Mechanical:

Wire range : 20~28 #AWG
DIN 0.08-0.5 mm²

UNLESS OTHERWISE SPECIFIED ALL DIMENSIONS ARE INCHES [MM]. TOLERANCES: EXCEPT AS NOTED

INCHES		HOLES	
X	± .10	ØX	± .10
.XX	± .020	Ø.XX	± .015
.XXX	± .015	Ø.XXX	± .010

ADAM TECH

909 Rahway Avenue,
Union, NJ 07083
Phone: 908-687-5000
Fax: 908-687-5710

DRAWN	JJ	11/23/22
CHECKED	RC	11/23/22
APPROVED		

TITLE
CRIMP TOOL, NON-INSULATED/OPEN BARREL TERMINAL
28 TO 20 AWG

THIS DRAWING CONTAINS INFORMATION THAT IS PROPRIETARY AND SHOULD NOT BE USED WITHOUT PRIOR WRITTEN PERMISSION FROM ADAM TECH

SIZE	PART NO.	REV.
X	ATHT-014	A

REF: - SCALE: NTS SHEET 1 OF 1