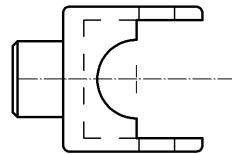
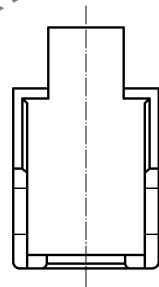
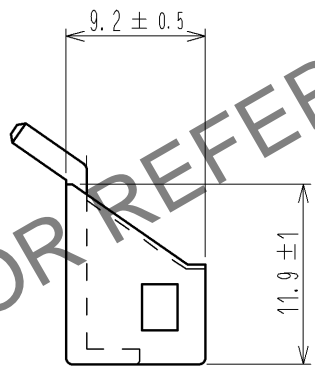
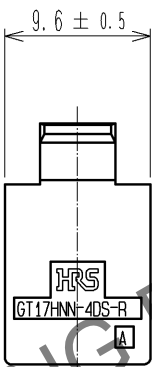
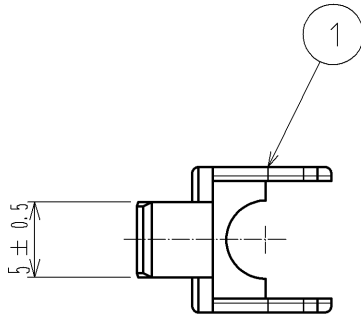


Jul.1.2024 Copyright 2024 HIROSE ELECTRIC CO., LTD. All Rights Reserved.  
 In case of consideration for using Automotive equipment / device which demand high reliability, kindly contact our sales window correspondents.

ELV, RoHS COMPLIANT



HRS DRAWING FOR REFERENCE

1	PBT	DARK GRAY						
NO.	MATERIAL	FINISH .	REMARKS	NO.	MATERIAL	FINISH .	REMARKS	
UNITS mm		SCALE 2 : 1	COUNT 	DESCRIPTION OF REVISIONS		DESIGNED	CHECKED	DATE
<b>HIROSE ELECTRIC CO., LTD.</b>	APPROVED : KS. SATOH	09. 01. 07	DRAWING NO.	EDC4-167160-00				
	CHECKED : KS. SATOH	09. 01. 07	PART NO.	GT17HNN-4DS-R				
	DESIGNED : NA. HARUBAYASHI	09. 01. 07	CODE NO.	CL767-0188-1-00				
	DRAWN : NA. HARUBAYASHI	09. 01. 07		1/1				