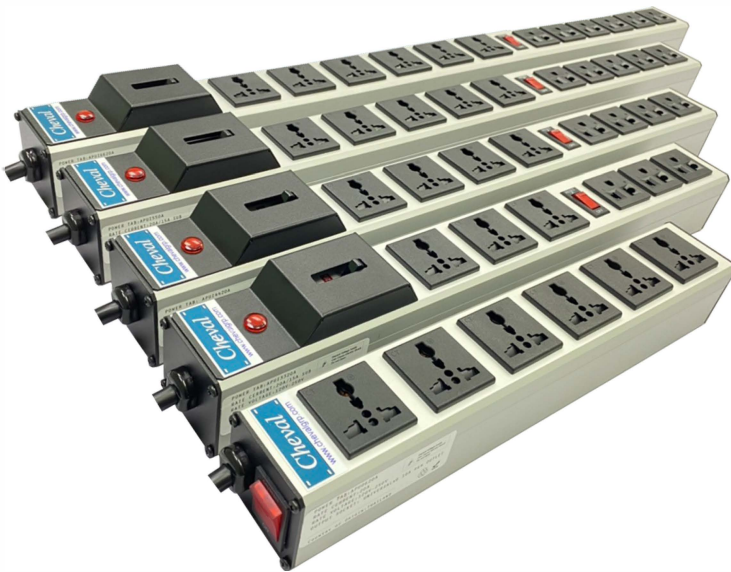


Arion Power Bar Series

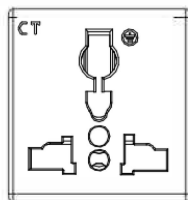
Model : APU0620A, APUI3320A, APUI4420A, APUI5520A and APUI6620A [for 110VAC system]



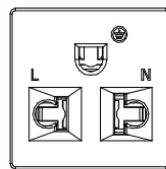
Key Features:

- 20 Amp total power rating with 20 Amp max/socket
- Heavy Duty Extruded Aluminum Body
- Combination of Universal and International style sockets allow any device to be plugged in
- 2 poles circuit breaker cuts off both live and neutral lines for extra safety

Cheval's Arion Power Bar Series are a heavy duty line of basic PDU's ideal for your workshop, LAB, Industry equipment or IT requirements. The combination of Universal and International style sockets allows you to plug in almost any device without need for adaptors. The Arion Power Bar provides 110/120V single phase AC power and maximum 20 Amp total current and maximum 20 Amp per individual socket. It comes preconfigured with the NEMA 5-15P plug [110/120V 15 Amp].



Universal socket



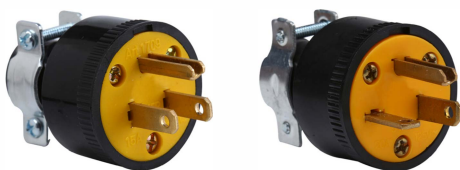
International socket

The Arion Power Bar is equipped with a 20 Amp 2 poles safety breaker to prevent accidental overloads and a power off/on switch. The 2 poles system will cut both live and neutral lines.

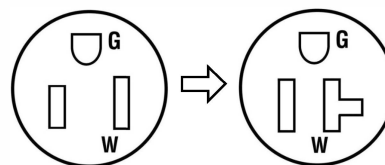
Arion Power Bar is available in several configurations of 6, 8, 10 and 12 total sockets equally divided between Universal socket and International socket types.

Technical note

The unit comes with the Nema 5-15P plug. **You can fully utilize capacity by changing the Nema 5-15P plug to the Nema 5-20P plug 110/120V 20 Amp [may be you need to change your wall house socket to the Nema 5-20R 110/120V 20 Amp]**



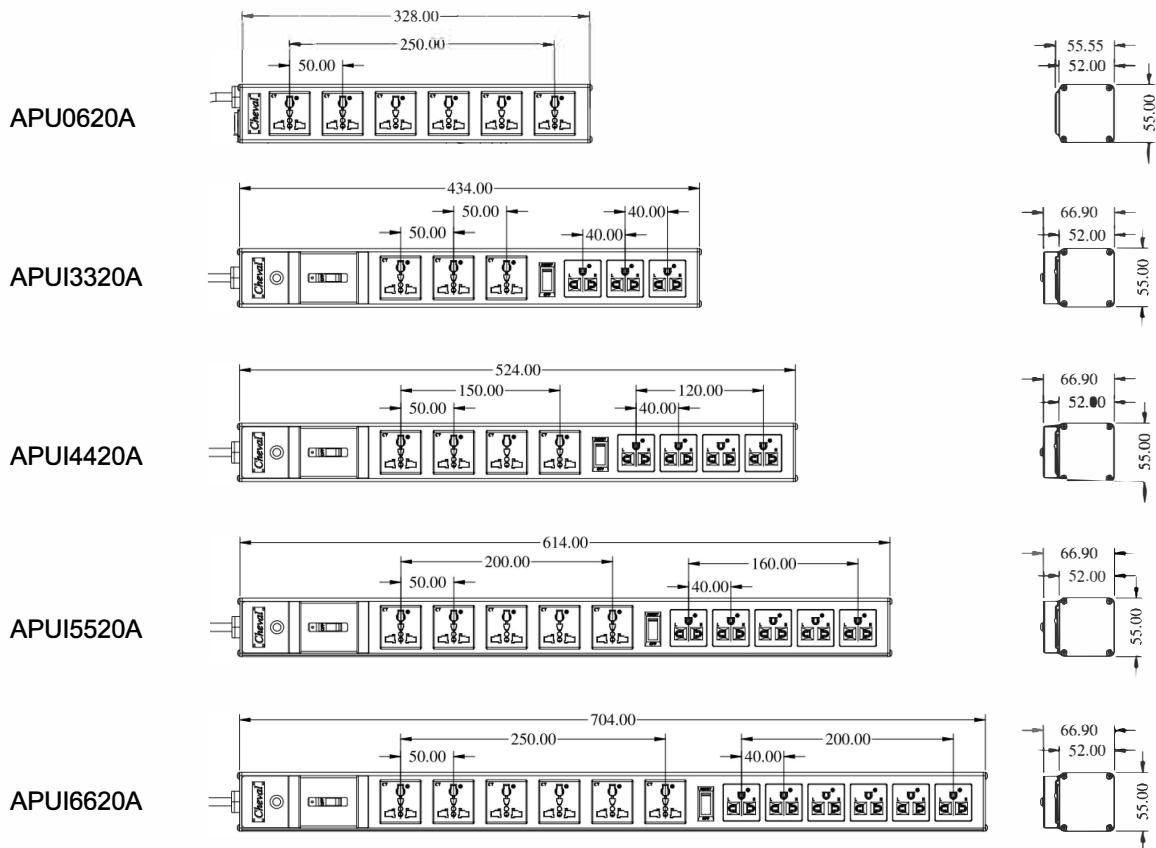
Change the plug Nema 5-15P to Nema 5-20P



Change the wall socket Nema 5-15R to Nema 5-20R single



Product Model



Specifications

OVER VIEW	
PRODUCT Series	Arion Power Bar
PDU Type	Basic
INPUT	
Input Voltage	110/120 V
Input Phase	Single Phase
Maximum Input Amps	20 Amp
Input Plug Type	NEMA 5-15P 110V/15Amp
Input Cord	10 FT. Cable wire size proper for current 20 Amp.
OUTPUT	
Maximum output current	Total 20 Amp per Unit and 20 Amp max per socket*
Frequency Compatibility	50/60 Hz
Output Receptacles	Universal 6 ; Universal+International 3/3 ; 4/4 ; 5/5 and 6/6
Output Nominal Voltage	110/120 V
Overload Protection	20Amp, Circuit Breaker 2 poles cutoff Live and Neutral lines
PHYSICAL	
Form Factors Supported	Free standing

*you can see the socket test in our site: www.chevalgrp.com/socket_test.pdf

This product does not have surge suppression and will not protect against power surges.



Safety First!

WARNING: The Arion Power Bar is a general use basic PDU which can be used for a wide range of applications. The user must consider their specific needs and decide if the Arion Power Bar is safe and appropriate for those uses and devices. Given the wide range of devices which can be plugged into the Arion Power Bar, we make no representation or warranty as to the suitability or fitness of these devices for any specific application the user has in mind.

The Arion Power Bar is a basic PDU, it does not provide surge or RFI protection.

Arion Power Bar is not rated for nor should it be used with any personal safety or life support equipment.

Arion Power Bar is for indoor use only. Avoid placing Arion Power Bar in areas where it will be exposed to excess moisture, wide temperature variations, dust or direct sunlight. Do not install or place the Arion Power Bar in an insecure or unstable surface.

Do not connect the Arion Power Bar to an extension cord, plug adapters with no ground or to any ungrounded power outlet.

Do not plug in any single piece of equipment which exceeds the individual outlet's load rating.

Total load of all plugged in equipment PDU must not exceed the maximum load rating for the Arion Power Bar.

There are no user serviceable parts inside the Arion Power Bar enclosure. Due to risk of shock or personal injury, do not open the Arion Power Bar.

Only qualified technicians should attempt any modifications such as changing the input plug.

If the Arion Power Bar appears damaged after opening the box or becomes damaged during set up, do not use it. Please contact the seller for instructions.

Keep the Arion Power Bar out of reach of pets, children or others who may unknowingly handle the Arion Power Bar in an unsafe manner.

Warranty Terms and Conditions

Limited Warranty: Cheval warrants the Arion Power Bar PDU to be free from defects in materials and workmanship for a period of twenty-four (24) months from date of purchase. Cheval's obligation is limited to repairing, replacing or issuing a credit for the original purchase price, at our sole discretion. This warranty does not apply to goods which have been damaged by incorrect use, modified or altered from their original form, improper storage or handling, repair or service by non-authorized personnel, improper installation of third-party equipment and unusual environmental events such as lightning strikes or abnormal power fluctuations.

