



MEAS | MEAS M5200

TE Internal #: M5254-000002-020BG

TE Internal Description: PRESS XDCCR M5254-000002-020BG

Compact Industrial Pressure Transducer

[View on TE.com >](#)

Sensors > Pressure Sensors > Pressure Transducers > Compact Industrial Pressure Transducer



Pressure Sensor Type: **Industrial Pressure Transducer**

Pressure: **20 bar [ 290.07 psi ]**

Pressure Type: **Gauge**

Supply Voltage Range: **9 - 30 V**

Output Signal Type: **4 - 20 mA**

[All Compact Industrial Pressure Transducer \(12\)](#)

## Features

### Product Type Features

Pressure Sensor Type	Industrial Pressure Transducer
Pressure Type	Gauge

### Configuration Features

Electrical Connection	Packard
-----------------------	---------

### Electrical Characteristics

Supply Voltage Range	9 - 30 V
----------------------	----------

### Dimensions

Hex Width Across Flats	24 mm[.944 in]
Product Height	57.15 mm[2.25 in]

### Usage Conditions

Pressure	20 bar[290.07 psi]
Operating Temperature Range	-40 - 125 °C[-40 - 257 °F]

### Operation/Application

Proof Pressure Range	2X Rated
Output Signal Type	4 - 20 mA
Pressure Accuracy	±0.25% FSO



## Other

Sensor Options	Adhesive Label, No Snubber
Port Fitting	1/4 MBSPP

## Product Compliance

For compliance documentation, visit the product page on [TE.com](#)>

EU RoHS Directive 2011/65/EU	Compliant with Exemptions
EU ELV Directive 2000/53/EC	Compliant with Exemptions
China RoHS 2 Directive MIIT Order No 32, 2016	Restricted Materials Above Threshold
EU REACH Regulation (EC) No. 1907/2006	Current ECHA Candidate List: JAN 2024 (240) Candidate List Declared Against: JUNE 2022 (224) SVHC > Threshold: Decamethylcyclopentasiloxane (D5) (.12% in component) Dodecamethylcyclohexasiloxane (D6) (.26% in component) <b>Article Safe Usage Statements:</b> Wash thoroughly after handling. Recycle if possible and dispose of the article by following all applicable governmental regulations relevant to your geographic location.
Halogen Content	Not Yet Reviewed for halogen content
Solder Process Capability	Not reviewed for solder process capability

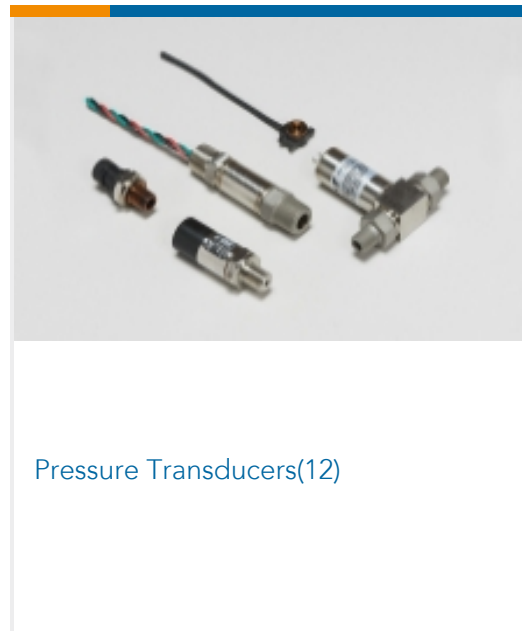
### Product Compliance Disclaimer

This information is provided based on reasonable inquiry of our suppliers and represents our current actual knowledge based on the information they provided. This information is subject to change. The part numbers that TE has identified as EU RoHS compliant have a maximum concentration of 0.1% by weight in homogenous materials for lead, hexavalent chromium, mercury, PBB, PBDE, DBP, BBP, DEHP, DIBP, and 0.01% for cadmium, or qualify for an exemption to these limits as defined in the Annexes of Directive 2011/65/EU (RoHS2). Finished electrical and electronic equipment products will be CE marked as required by Directive 2011/65/EU. Components may not be CE marked. Additionally, the part numbers that TE has identified as EU ELV compliant have a maximum concentration of 0.1% by weight in homogenous materials for lead, hexavalent chromium, and mercury, and 0.01% for cadmium, or qualify for an exemption to these limits as defined in the Annexes of Directive 2000/53/EC (ELV). Regarding the REACH Regulation, the information TE provides on SVHC in articles for this part number is based on the latest European Chemicals Agency (ECHA) 'Guidance on requirements for substances in articles' posted at this URL: <https://echa.europa.eu/guidance-documents/guidance-on-reach>

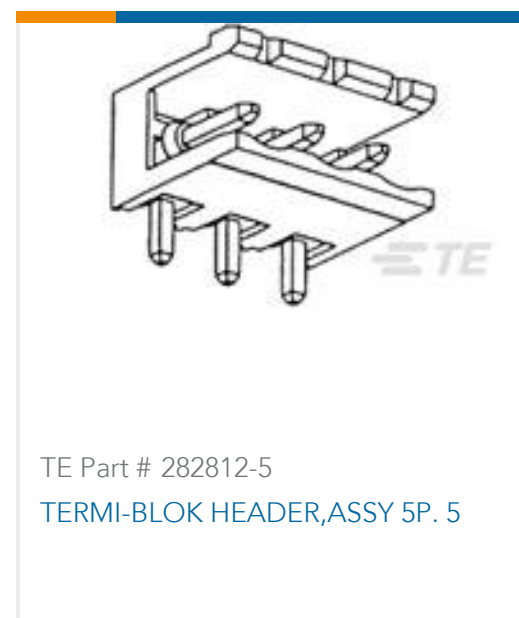
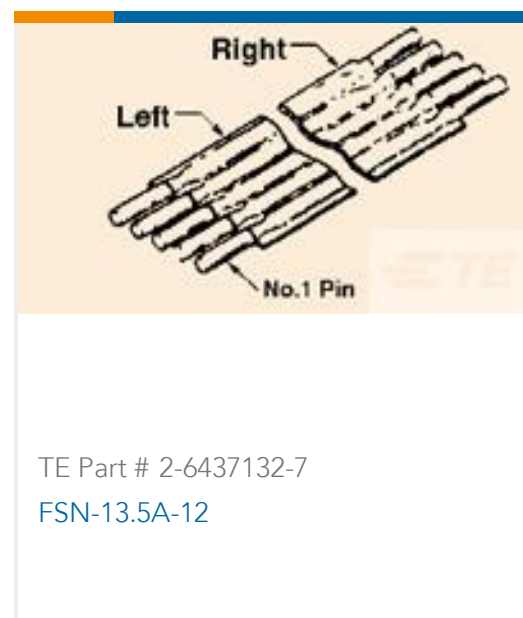
## Compatible Parts



## Also in the Series | MEAS M5200



## Customers Also Bought



## Documents

[CAD Files](#)

[3D PDF](#)

[3D](#)

[Customer View Model](#)

[ENG\\_CVM\\_CVM\\_M5254-000002-020BG\\_K.2d\\_dxf.zip](#)

English



Customer View Model

[ENG\\_CVM\\_CVM\\_M5254-000002-020BG\\_K.3d\\_igs.zip](#)

English

Customer View Model

[ENG\\_CVM\\_CVM\\_M5254-000002-020BG\\_K.3d\\_stp.zip](#)

English

By downloading the CAD file I accept and agree to the [Terms and Conditions](#) of use.

**Datasheets & Catalog Pages**

[M5200](#)

English