



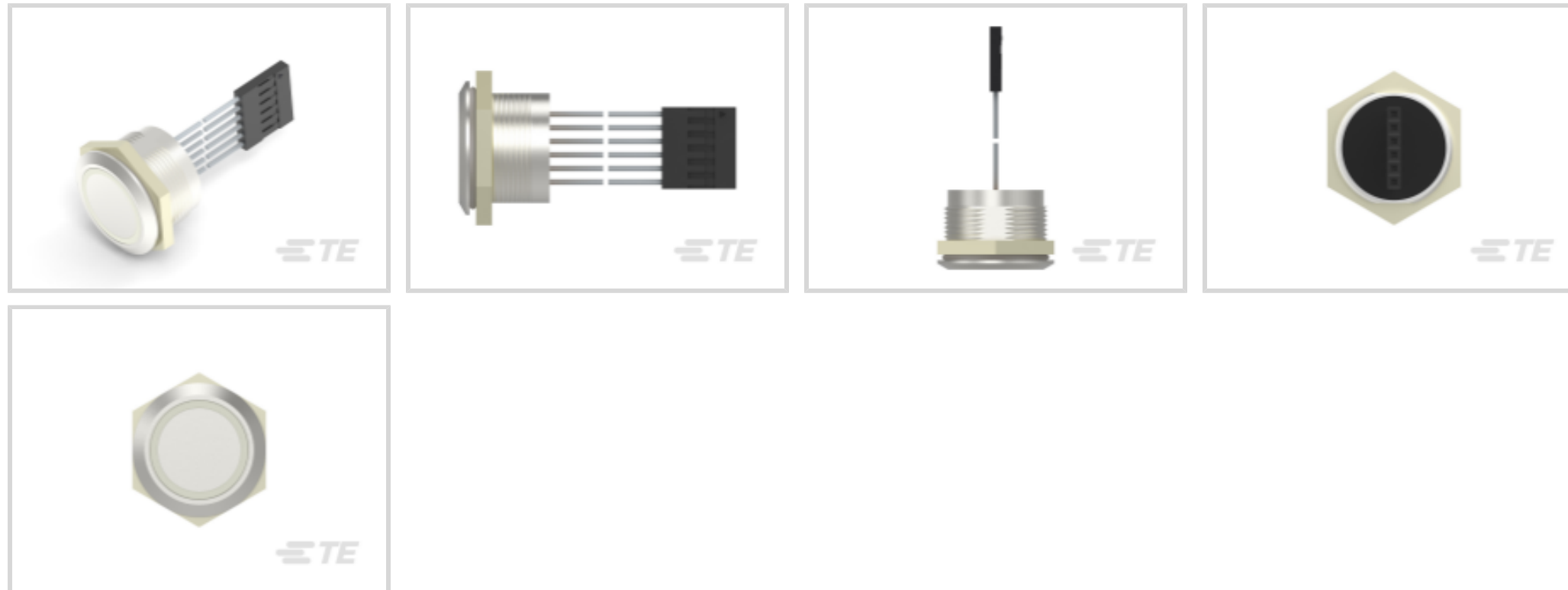
Alcoswitch | Alcoswitch AVC22

TE Internal #: 2342836-3

Push Button Switches, Single Pole - Single Throw Configuration (Pole-Throw), Anti-Vandal, Single Actuator, Flush Actuator Profile, Alcoswitch AVC22

[View on TE.com >](#)

Switches > Push Button Switches



Configuration (Pole-Throw): **Single Pole - Single Throw**

Push Button Switch Product Type: **Anti-Vandal**

Number of Actuators: **Single**

Actuator Profile: **Flush**

Bushing Style: **Threaded**

Features

Product Type Features

Switch Connection Type	Long Leads
Push Button Switch Product Type	Anti-Vandal
Illuminated	With
Actuator Style	Round

Configuration Features

Panel Cutout Size	22.2 (Diameter) mm [.87 (Diameter) in]
Configuration (Pole-Throw)	Single Pole - Single Throw
Number of Actuators	Single
Switch Feedback Type	Non-Tactile
Operating Function	1 Pole, NO, On Off

Electrical Characteristics

Contact Current Rating	1 A
Operating Voltage Range	5 - 24 VDC

Body Features



Actuator Force	0 g[0 oz]
Case Material	Stainless Steel
Actuator Material	Steel
Sealing Method	Epoxy
Product Orientation	Vertical
Actuator Profile	Flush
Bushing Style	Threaded
Bushing Thread Size	M22 x 1
Actuator Color	Silver

Mechanical Attachment

Attachment Method	Screw-On
-------------------	----------

Housing Features

Low Profile	Yes
-------------	-----

Dimensions

Bushing Diameter	22 mm[.87 in]
Bushing Length	15 mm[.59 in]

Usage Conditions

Operating Temperature Range	-20 - 65 °C
-----------------------------	-------------

Industry Standards

IP Rating	IP68
-----------	------

Packaging Features

Packaging Method	Loose Piece
------------------	-------------

Product Compliance

[For compliance documentation, visit the product page on TE.com>](#)

EU RoHS Directive 2011/65/EU	Compliant with Exemptions
EU ELV Directive 2000/53/EC	Compliant with Exemptions
China RoHS 2 Directive MIIT Order No 32, 2016	Restricted Materials Above Threshold
EU REACH Regulation (EC) No. 1907/2006	Current ECHA Candidate List: JAN 2024 (240) Candidate List Declared Against: JAN 2024 (240) SVHC > Threshold: Pb (4% in Component Part)



Article Safe Usage Statements:

Do not eat, drink or smoke when using this product. Wash thoroughly after handling. Recycle if possible and dispose of the article by following all applicable governmental regulations relevant to your geographic location.

Halogen Content

Low Halogen - Br, Cl, F, I < 900 ppm per homogenous material. Also BFR/CFR/PVC Free

Solder Process Capability

Not reviewed for solder process capability

Product Compliance Disclaimer

This information is provided based on reasonable inquiry of our suppliers and represents our current actual knowledge based on the information they provided. This information is subject to change. The part numbers that TE has identified as EU RoHS compliant have a maximum concentration of 0.1% by weight in homogenous materials for lead, hexavalent chromium, mercury, PBB, PBDE, DBP, BBP, DEHP, DIBP, and 0.01% for cadmium, or qualify for an exemption to these limits as defined in the Annexes of Directive 2011/65/EU (RoHS2). Finished electrical and electronic equipment products will be CE marked as required by Directive 2011/65/EU. Components may not be CE marked. Additionally, the part numbers that TE has identified as EU ELV compliant have a maximum concentration of 0.1% by weight in homogenous materials for lead, hexavalent chromium, and mercury, and 0.01% for cadmium, or qualify for an exemption to these limits as defined in the Annexes of Directive 2000/53/EC (ELV). Regarding the REACH Regulation, the information TE provides on SVHC in articles for this part number is based on the latest European Chemicals Agency (ECHA) 'Guidance on requirements for substances in articles' posted at this URL: <https://echa.europa.eu/guidance-documents/guidance-on-reach>

Compatible Parts



TE Part # 2213771-1
AV22 SPM 3A NO LED



TE Part # 1-2213772-3
AV22 SPM 3A MOVE RING LED GREEN 12V



TE Part # 1-2213772-7
AV22 SPM 3A MOVE RING LED BLUE 12V



TE Part # 2213772-5
AV22 SPM 3A MOVE RING LED RED 12V



TE Part # 5-2213772-5
AV22 DPM 3A MOVE RING LED GREEN 24V

Also in the Series | [Alcoswitch AVC22](#)



Push Button Switches(18)

Customers Also Bought



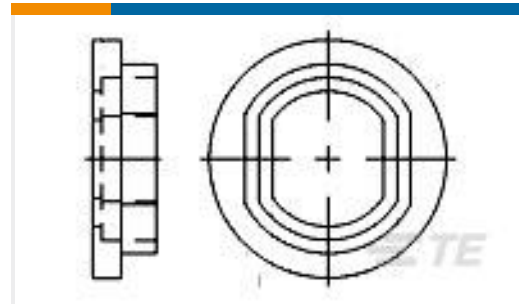
TE Part # K1160479
Push button switch TS-211-GE11



TE Part # 2-330312-2
MINIATURE THREADED RECEPTACLES



TE Part # 016897-000
101A031-25/86-0



TE Part # 329487
MIN THRD,BUSHING



TE Part # ZPF000000000008208
983-6KE 10-06 PN-L



TE Part # YACT24JD18AN000000
JAM NUT RECEPTACLE



TE Part # YDTS20T17-26BNV001
RECP ASSY



TE Part # ZPF000000000015349
DMC-M 44-01 A1064

Documents

Product Drawings

[AVC22L FLAT S04 RGB R 500MM/1X6](#)

English

CAD Files

[3D PDF](#)

3D

Customer View Model

[ENG_CVM_CVM_2342836-3_A.2d_dxf.zip](#)

English

Customer View Model

[ENG_CVM_CVM_2342836-3_A.3d_igs.zip](#)

English

Customer View Model

[ENG_CVM_CVM_2342836-3_A.3d_stp.zip](#)

English

By downloading the CAD file I accept and agree to the [Terms and Conditions](#) of use.



[Datasheets & Catalog Pages](#)

[AVC Series - Anti-Vandal Illuminated Capacitive Switches](#)

English