



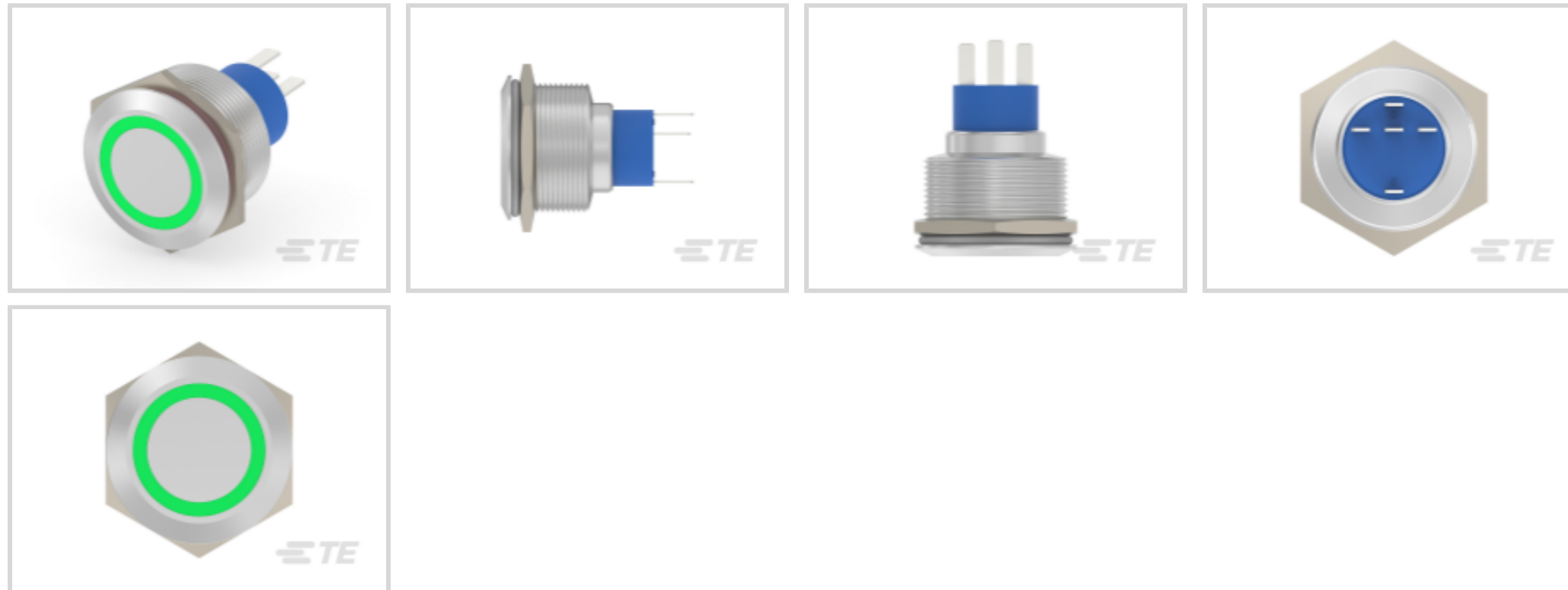
Alcoswitch | Alcoswitch AV25

TE Internal #: 2317656-7

Push Button Switches, Single Pole - Single Throw Configuration (Pole-Throw), Switch, Single Actuator, Flush Actuator Profile, Alcoswitch AV25

[View on TE.com >](#)

Switches > Push Button Switches



Configuration (Pole-Throw): **Single Pole - Single Throw**

Push Button Switch Product Type: **Switch**

Number of Actuators: **Single**

Actuator Profile: **Flush**

Bushing Style: **Threaded**

## Features

### Product Type Features

|                                 |           |
|---------------------------------|-----------|
| Switch Connection Type          | Wire Lugs |
| Push Button Switch Product Type | Switch    |
| Illuminated                     | With      |
| Actuator Style                  | Round     |

### Configuration Features

|                            |                            |
|----------------------------|----------------------------|
| Configuration (Pole-Throw) | Single Pole - Single Throw |
| Number of Actuators        | Single                     |
| Snap Action                | Without                    |
| Support Bracket            | Without                    |
| Switch Feedback Type       | Auditory                   |
| Operating Function         | Momentary                  |

### Electrical Characteristics

|                         |         |
|-------------------------|---------|
| Contact Current Rating  | 3 A     |
| Operating Voltage Range | 250 VAC |



**Body Features**

|                     |             |
|---------------------|-------------|
| Actuator Force      | 255 g[9 oz] |
| Case Material       | PBT         |
| Product Orientation | Vertical    |
| Actuator Profile    | Flush       |
| Bushing Style       | Threaded    |

**Contact Features**

|                                 |        |
|---------------------------------|--------|
| Contact Base Material           | Copper |
| Switch Contact Plating Material | Silver |

**Housing Features**

|                |     |
|----------------|-----|
| Process Sealed | Yes |
|----------------|-----|

**Industry Standards**

|           |      |
|-----------|------|
| IP Rating | IP67 |
|-----------|------|

**Product Compliance**

[For compliance documentation, visit the product page on TE.com>](#)

|   |  |
|---|--|
| EU RoHS Directive 2011/65/EU                  | Compliant with Exemptions  |
| EU ELV Directive 2000/53/EC                   | Compliant with Exemptions  |
| China RoHS 2 Directive MIIT Order No 32, 2016 | Restricted Materials Above Threshold   |
| EU REACH Regulation (EC) No. 1907/2006        | Current ECHA Candidate List: JAN 2024 (240)<br>Candidate List Declared Against: JAN 2024 (240)<br>SVHC > Threshold:<br>Pb (4% in Component Part)<br><b>Article Safe Usage Statements:</b><br>Do not eat, drink or smoke when using this product. Wash thoroughly after handling. Recycle if possible and dispose of the article by following all applicable governmental regulations relevant to your geographic location. |
| Halogen Content                               | Low Halogen - Br, Cl, F, I < 900 ppm per homogenous material. Also BFR/CFR/PVC Free  |
| Solder Process Capability                     | Not reviewed for solder process capability   |

Product Compliance Disclaimer

This information is provided based on reasonable inquiry of our suppliers and represents our current actual knowledge based on the information they provided. This information is subject to change. The part numbers that TE has identified as EU RoHS compliant have a maximum concentration of 0.1% by weight in homogenous materials for lead, hexavalent chromium, mercury, PBB, PBDE, DBP, BBP, DEHP, DIBP, and 0.01% for cadmium, or qualify for an exemption to these limits as defined in the Annexes of Directive 2011/65/EU (RoHS2). Finished electrical and electronic equipment products will be CE marked as required by Directive 2011/65/EU. Components may not be CE marked. Additionally, the part

numbers that TE has identified as EU ELV compliant have a maximum concentration of 0.1% by weight in homogenous materials for lead, hexavalent chromium, and mercury, and 0.01% for cadmium, or qualify for an exemption to these limits as defined in the Annexes of Directive 2000/53/EC (ELV). Regarding the REACH Regulation, the information TE provides on SVHC in articles for this part number is based on the latest European Chemicals Agency (ECHA) 'Guidance on requirements for substances in articles' posted at this URL: <https://echa.europa.eu/guidance-documents/guidance-on-reach>

## Compatible Parts




TE Part # 2317656-9  
AV25 SPM 3A MOVING RING BLUE  
12V



TE Part # 2317659-4  
AV25 SPM 3A MOVING RING POWER  
R&B 24V FL



TE Part # 2317655-2  
AV25 SPL 3A NO LED FL




TE Part # 2328818-1  
AV25 SPM 3A MOVING RING WHITE  
12V



TE Part # 2328820-1  
AV 25 SPM 3A MOVING RING R&G  
12V

## Also in the Series | Alcoswitch AV25



Push Button Switches(88)

## Customers Also Bought



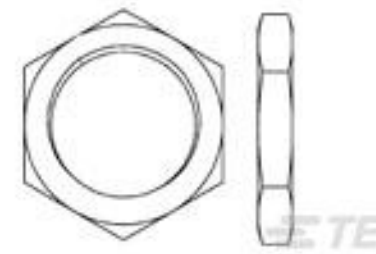
TE Part # HDP24-24-23PE  
REC, 23P, BLK, E, 16, P



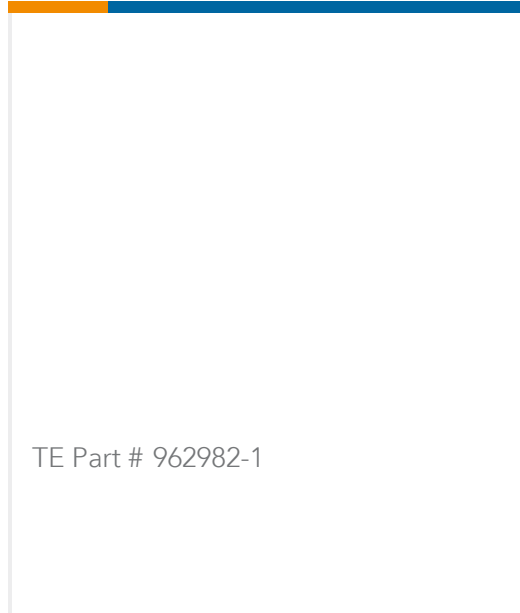
TE Part # 6-1419102-3  
T9AP1D52-24



TE Part # 1445421-1  
REC,8-4,FLNG MT,SM INS,STD KEY



TE Part # 1604196-1  
NUT,JAM,5/8-24,PKG QTY 100



## Documents

### CAD Files

[3D PDF](#)

[3D](#)

[Customer View Model](#)

[ENG\\_CVM\\_CVM\\_2317656-7\\_A.2d\\_dxf.zip](#)

English

[Customer View Model](#)

[ENG\\_CVM\\_CVM\\_2317656-7\\_A.3d\\_igs.zip](#)

English

[Customer View Model](#)

[ENG\\_CVM\\_CVM\\_2317656-7\\_A.3d\\_stp.zip](#)

English

By downloading the CAD file I accept and agree to the [Terms and Conditions](#) of use.

### Datasheets & Catalog Pages

[ALCOSWITCH Anti-Vandal Switch flyer](#)

English

### Agency Approvals

[UL Report](#)

English