



Sensors > Pressure Sensors > Pressure Transducers



Pressure Sensor Type: **Industrial Pressure Transducer**

Pressure: **10.34 bar [150 psi]**

Pressure Type: **Absolute**

Supply Voltage Range: **4.75 - 5.25 V**

Output Signal Type: **.5 - 4.5 V**

Features

Product Type Features

Pressure Sensor Type	Industrial Pressure Transducer
Pressure Type	Absolute

Configuration Features

Electrical Connection	Packard
-----------------------	---------

Electrical Characteristics

Supply Voltage Range	4.75 - 5.25 V
----------------------	---------------

Dimensions

Product Diameter	26.67 mm[1.05 in]
Product Height	32 mm[1.25 in]

Usage Conditions

Pressure	10.34 bar[150 psi]
Operating Temperature Range	-40 - 125 °C[-40 - 257 °F]

Operation/Application

Proof Pressure Range	3X Rated
Output Signal Type	.5 - 4.5 V
Pressure Accuracy	±0.25% Span

Other

Sensor Options	No Option
----------------	-----------

Port Fitting

1/4 MNPT

Product Compliance

[For compliance documentation, visit the product page on TE.com>](#)

EU RoHS Directive 2011/65/EU	Compliant with Exemptions
EU ELV Directive 2000/53/EC	Compliant
China RoHS 2 Directive MIIT Order No 32, 2016	Restricted Materials Above Threshold
EU REACH Regulation (EC) No. 1907/2006	<p>Current ECHA Candidate List: JAN 2024 (240)</p> <p>Candidate List Declared Against: JAN 2023 (233)</p> <p>SVHC > Threshold:</p> <p>Decamethylcyclopentasiloxane (D5) (.12% in component part)</p> <p>Dodecamethylcyclohexasiloxane (D6) (.26% in component part)</p> <p>Article Safe Usage Statements: Wash thoroughly after handling. Recycle if possible and dispose of the article by following all applicable governmental regulations relevant to your geographic location.</p>
Halogen Content	Not Yet Reviewed for halogen content
Solder Process Capability	Not reviewed for solder process capability

Product Compliance Disclaimer

This information is provided based on reasonable inquiry of our suppliers and represents our current actual knowledge based on the information they provided. This information is subject to change. The part numbers that TE has identified as EU RoHS compliant have a maximum concentration of 0.1% by weight in homogenous materials for lead, hexavalent chromium, mercury, PBB, PBDE, DBP, BBP, DEHP, DIBP, and 0.01% for cadmium, or qualify for an exemption to these limits as defined in the Annexes of Directive 2011/65/EU (RoHS2). Finished electrical and electronic equipment products will be CE marked as required by Directive 2011/65/EU. Components may not be CE marked. Additionally, the part numbers that TE has identified as EU ELV compliant have a maximum concentration of 0.1% by weight in homogenous materials for lead, hexavalent chromium, and mercury, and 0.01% for cadmium, or qualify for an exemption to these limits as defined in the Annexes of Directive 2000/53/EC (ELV). Regarding the REACH Regulation, the information TE provides on SVHC in articles for this part number is based on the latest European Chemicals Agency (ECHA) 'Guidance on requirements for substances in articles' posted at this URL: <https://echa.europa.eu/guidance-documents/guidance-on-reach>

Compatible Parts



Also in the Series | MEAS U7100



Pressure Transducers(4)

Customers Also Bought



TE Part # T4161420008-003
RPC-M12-FR-8CON-PUR-1.5SH



TE Part # 1546306-4
4P .374" DR BARRIER STRIP



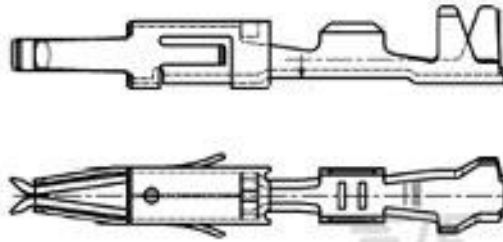
TE Part # 1SNK908302R0000
JB8-2



TE Part # 284716-3
6 POS REC. CONNECTOR FOR MTII



TE Part # 1437284-9
MERTEC FTERM AU 13002630101



TE Part # 962876-2
MT2 REC 1.6 Contact SWS Sn



TE Part # 638551-2
CONTACT,FEMALE,0.64MM,SN,22



TE Part # 1SNK708066R0000
ZK6-BK



TE Part # 1SNK908304R0000
JB8-4



TE Part # 1SNK908310R0000
JB8-10

Documents

[CAD Files](#)

[3D PDF](#)

[3D](#)

[Customer View Model](#)

[ENG_CVM_CVM_U7139-150PA-5W0000_C.2d_dxf.zip](#)

[English](#)

[Customer View Model](#)



[ENG_CVM_CVM_U7139-150PA-5W0000_C.3d_igs.zip](#)

English

Customer View Model

[ENG_CVM_CVM_U7139-150PA-5W0000_C.3d_stp.zip](#)

English

By downloading the CAD file I accept and agree to the [Terms and Conditions](#) of use.