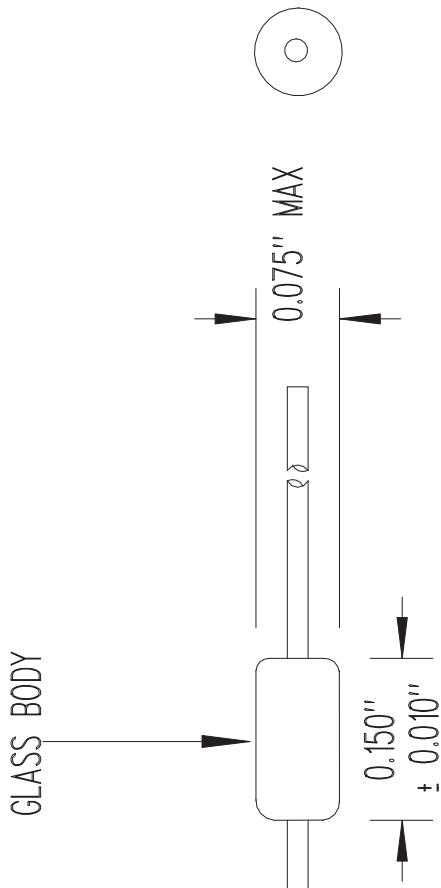


REV	REVISION RECORD	DATE	APP
---	ISO RELEASE	10/24/03	DD

LEAD WIRES:
 0.020" ± 0.002" DIAMETER,
 24 AWG, TINNED CCS,
 1.0" LONG MINIMUM



TEMP (°C)	RESISTANCE (Ω)	TOLERANCE (± %)
-20	97,070	6.9
-10	55,330	6.1
0	32,650	5.4
+5	25,400	5.0
+25	10,000	5.0
+40	5,330	5.0
+45	4,370	5.0

BETA "β" = 3,910°K TO 4,020°K
 TAPE AND REEL PER EIA-296-E

SCALE	NONE	U.S. SENSOR CORP. 1832 W. COLL INS AVE. ORANGE, CA . 92867 714-639-1000 www.ussensor.com
DRAWN BY	T. WILFONG	
DATE	03/27/03	NTC THERMISTOR P/N USX1235-TR
REV.	NONE	
LAYER	0 OF 1	