

**Features :**

- Plug in module
- Easy to connect & replace in Flexys GT35, Flexys rail, Flexys Panel TX4 & EXP FLEX 2M
- Configured via selpro software
- Spring type pluggable terminals

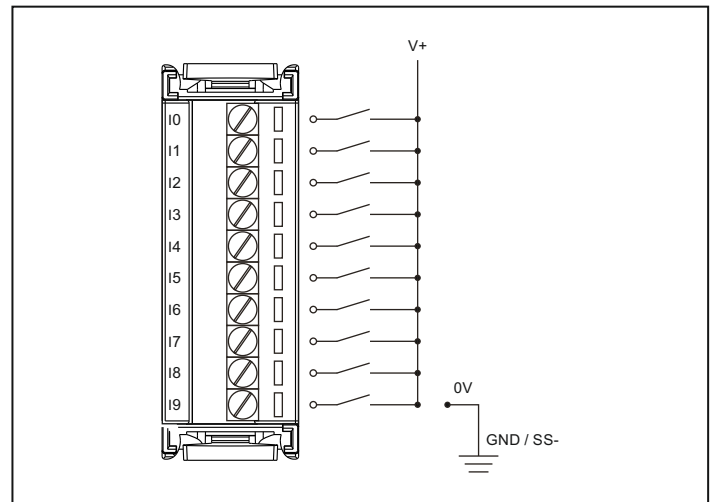
**Specifications**

No of inputs per card	10 Nos
Input type	PNP
Input voltage range (v+)	7-30 V DC
Input current	5.5 mA @ 24 VDC, 7.5 mA @ 30 VDC
Maximum counting frequency	40Hz (with <6ms debounce time)
Response time	10ms (Selectable through software via debounce parameter)
Isolation between 230V Power supply and input	Yes
Protection against polarity inversion	Yes

**General specifications**

Ambient operating temperature	0°C to 55°C
Humidity	95%
Ambient storage temperature	-20°C to 70°C
Weight	43.7gms

**Terminal diagram**



**Ordering information**

Product code	Description	Certification
FL-SC-DI10-CE-RoHS	10 Digital inputs card	CE RoHS