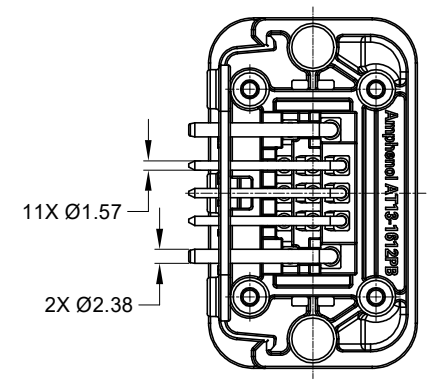
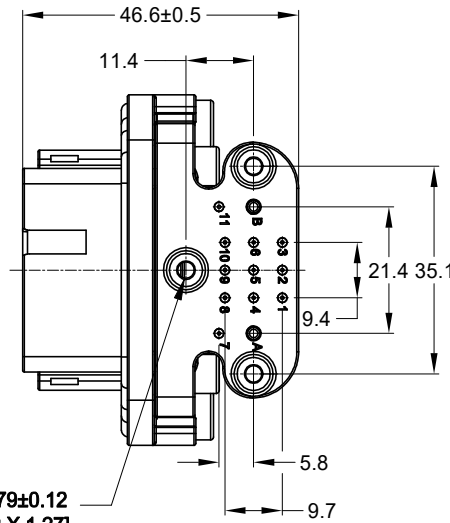
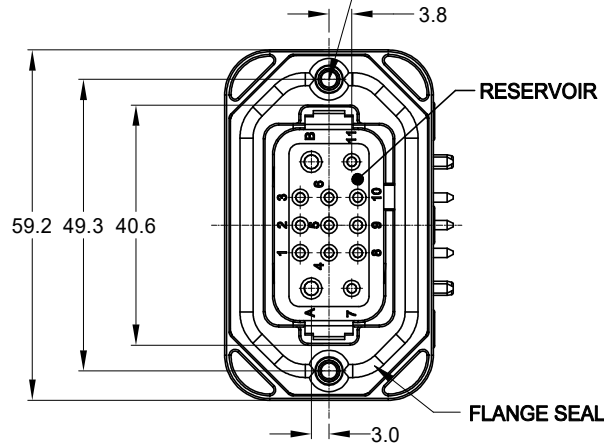


2X Ø3.10±0.1 2X11.18 DP  
**RECOMMENDED SCREW: 6-19 [M3.63 X 1.34]**  
**THREAD-FORMING SCREW,**  
**TORQUE: 11-15 IN-LB [1.24-1.70 NM]**

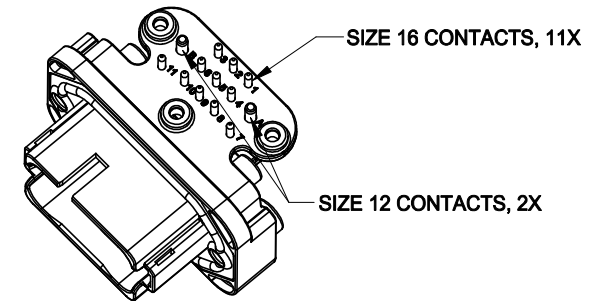
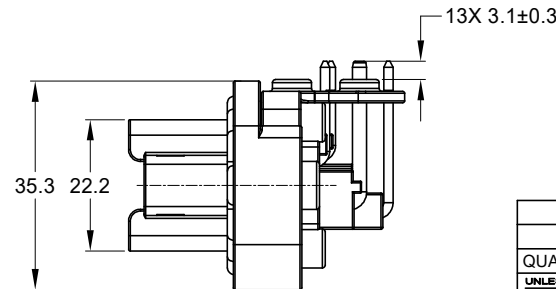


REVISIONS					
REV	ECO	DESCRIPTION	DATE	BY	APPR
A1	-	RELEASE NEW PRODUCT	03/DEC/19	ROOKIE	TOMMY
A2	-	1.ADD DESCRIPTION FOR THE #12,16# CONTACTS. 2.ADD THE VOLTAGE RATING.	30/OCT/23	KELIN	TOMMY

3X Ø2.79±0.12  
**RECOMMENDED SCREW: 4-20 [M3.12 X 1.27]**  
**THREAD-FORMING SCREW,**  
**TORQUE:6-10 IN-LB [0.68-1.13 NM]**

NOTES: UNLESS OTHERWISE SPECIFIED

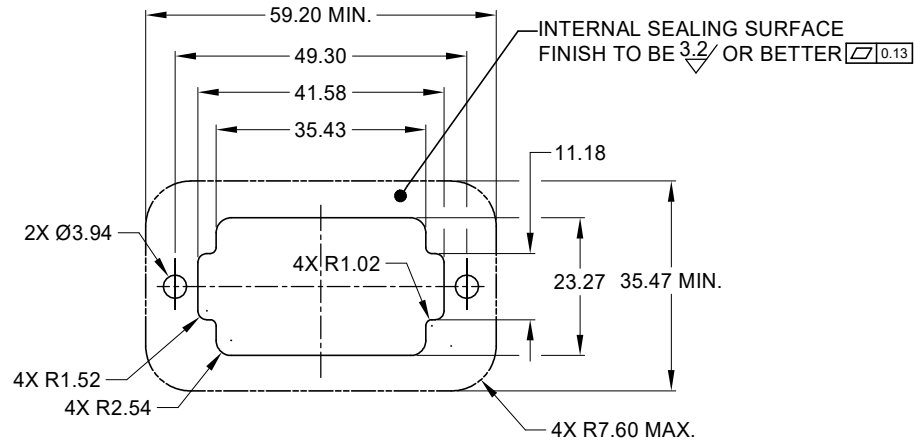
- MATERIAL:  
 HOUSING: THERMOPLASTIC; COLOR: BLACK  
 SEAL: SILICONE RUBBER  
 CONTACT: COPPER ALLOY
- MODIFICATIONS: FLANGE, PCB MOUNT, RIGHT ANGLE
- SPECIFICATIONS:
  - CURRENT RATING: TWO SIZE 12, 25AMPS; ELEVEN SIZE 16, 13AMPS WHEN USED WITH #12 CROWN CONTACT (AT62-210-1231CR OR AT62-210-1231CR-10) IT IS 30 AMPS
  - OPERATING TEMPERATURE: -55°C TO +125°C
  - VOLTAGE RATING: 250 V AC/DC.
  - DIELECTRIC WITHSTANDING VOLTAGE: LESS THAN 2 MILLIAMPS CURRENT LEAKAGE @ 1500 VOLTS AC.
  - INSULATION RESISTANCE: 1000 MEGOHMS MIN @ 25°C.
  - MOISTURE RESISTANCE: IP67 ( MATED CONDITION )
  - MATING CYCLE DURABILITY: 100 CYCLES
  - RoHS COMPLIANT
- MATING PART: AT1612-13SB\* PLUG  
 (\* = MODIFICATIONS)
- ALL DIMENSIONS ARE FOR REFERENCE USE ONLY.



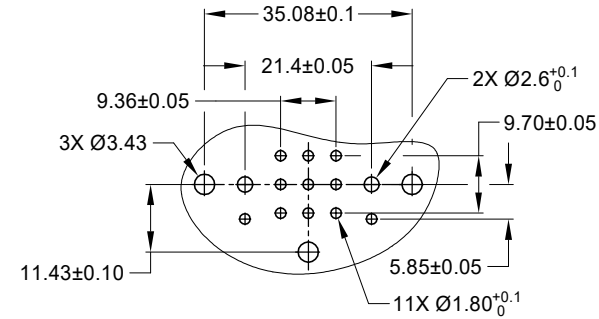
SEE SHEET 2		DESCRIPTION		ITEM
QUANTITY	PART NUMBER	MATERIALS LIST		
<p>UNLESS OTHERWISE SPECIFIED            1) All dimensions are in metric(mm).            2) Tolerances are as follows:            1 PL DEC ±0.30            2 PL DEC ±0.15            3 PL DEC ±0.08            Fractions ±1/64            Angles ±1°</p>				
SIGNATURES		DATE		
DRAWN: KELIN		27/OCT/23		
CHECKED: ORION		30/OCT/23		
ENGINEER:				
APPROVAL: TOMMY		30/OCT/23		
CUSTOMER:				
MATERIAL SPECIFICATIONS:		THIS DRAWING IS SUPPLIED FOR INFORMATION ONLY. DESIGN FEATURES, SPECIFICATIONS AND PERFORMANCE DATA SHOWN HEREON ARE THE PROPERTY OF THE AMPHENOL CORPORATION. NO RIGHTS OF REPRODUCTION ARE IMPLIED. ALL DIMENSIONS ARE SUBJECT TO NORMAL MANUFACTURING VARIATIONS.		
PROCESS SPECIFICATIONS:		SCALE: NONE		
NEXT ASSY:		SIZE: B C- AT13-1612PB-BMXX		
		TYPE: RA FLANGE, AT SERIES		
		DWG NO: AT13-1612PB-BMXX		
		REVISION: A2		
		SHEET 1 OF 2		

TITLE: PCB MOUNT RECEPTACLE, 13PIN RA FLANGE, AT SERIES  
 DWG NO: AT13-1612PB-BMXX  
 REV: A2  
 SH: 1  
 OF: 2

REVISIONS					
REV	ECO	DESCRIPTION	DATE	BY	APPR
A1	-	RELEASE NEW PRODUCT	03/DEC/19	ROOKIE	TOMMY
A2	-	1.ADD DESCRIPTION FOR THE #12,16# CONTACTS. 2.ADD THE VOLTAGE RATING.	30/OCT/23	KELIN	TOMMY



RECOMMENDED PANEL CUTOUT



RECOMMENDED PCB LAYOUT

P/N CHART		
CONTACT PLATING	POTTING OR NOT IN RESERVOIR	PART NUMBER
GOLD	NO POTTING	AT13-1612PB-BM01
GOLD	POTTING	AT13-1612PB-BM02
TIN	NO POTTING	AT13-1612PB-BM03
TIN	POTTING	AT13-1612PB-BM04

SEE P/N CHART		DESCRIPTION		ITEM
QUANTITY	PART NUMBER	MATERIALS LIST		
<p>UNLESS OTHERWISE SPECIFIED</p> <p>1) All dimensions are in metric(mm).</p> <p>2) Tolerances are as follows:</p> <p>1 PL DEC ±0.30 Fractions ±1/64</p> <p>2 PL DEC ±0.15 Angles ±1°</p> <p>3 PL DEC ±0.08</p> <p>3) Note reference = </p>				
SIGNATURES		DATE		
DRAWN: KELIN		27/OCT/23		
CHECKED: ORION		30/OCT/23		
ENGINEER:				
APPROVAL: TOMMY		30/OCT/23		
CUSTOMER:				
MATERIAL SPECIFICATIONS:		THIS DRAWING IS SUPPLIED FOR INFORMATION ONLY. DESIGN FEATURES, SPECIFICATIONS AND PERFORMANCE DATA SHOWN HEREON ARE THE PROPERTY OF THE AMPHENOL CORPORATION. NO RIGHTS OF REPRODUCTION ARE IMPLIED. ALL DIMENSIONS ARE SUBJECT TO NORMAL MANUFACTURING VARIATIONS.		
PROCESS SPECIFICATIONS:				
NEXT ASSY:				
SIZE		TYPE	DWG NO.	REVISION
B C-		AT13-1612PB-BMXX	A2	
SCALE		NONE		SHEET 2 OF 2

TITLE: PCB MOUNT RECEPTACLE, 13PIN RA FLANGE AT SERIES  
 DWG NO.: AT13-1612PB-BMXX  
 REV: A2  
 SH: 2  
 OF: 2